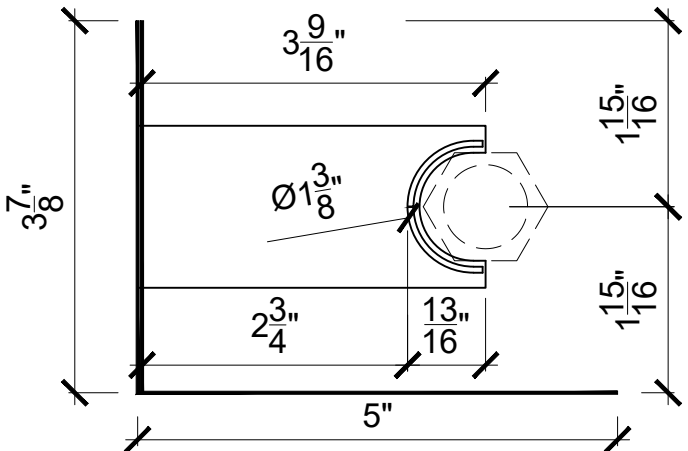
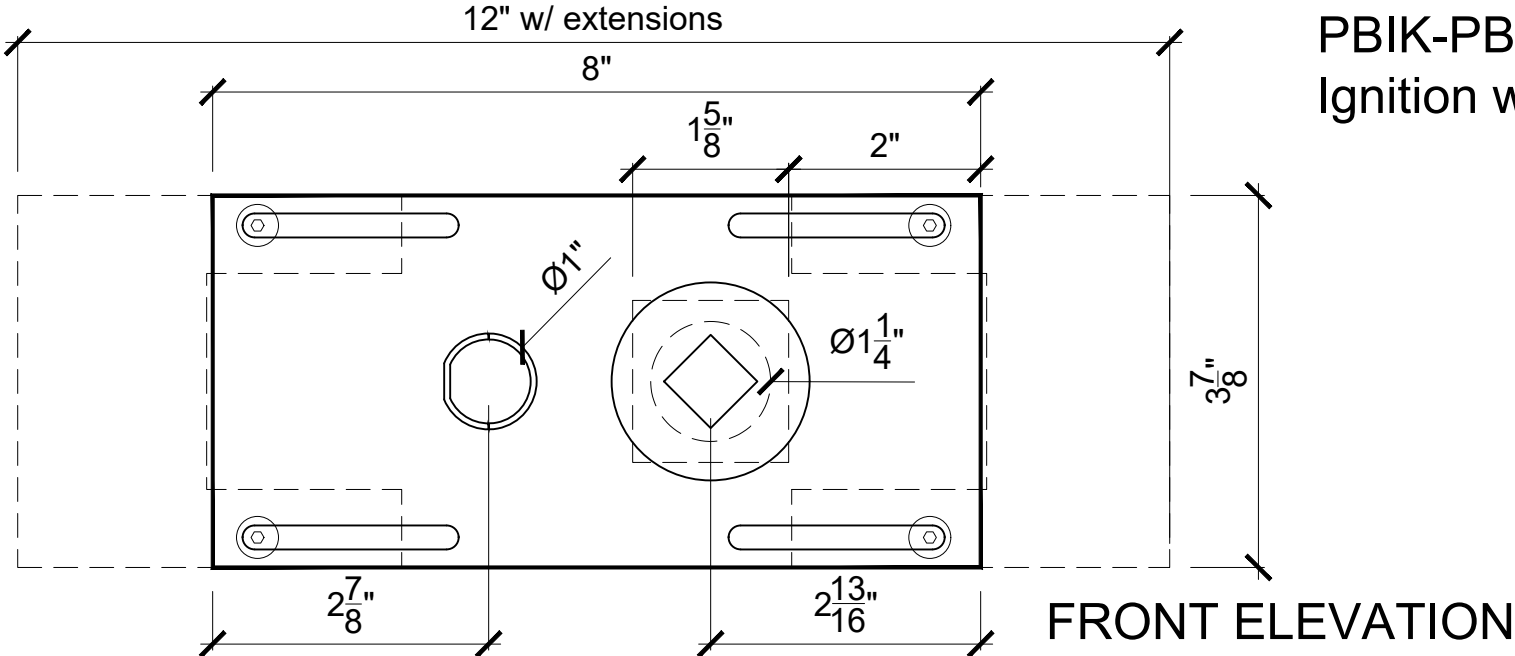
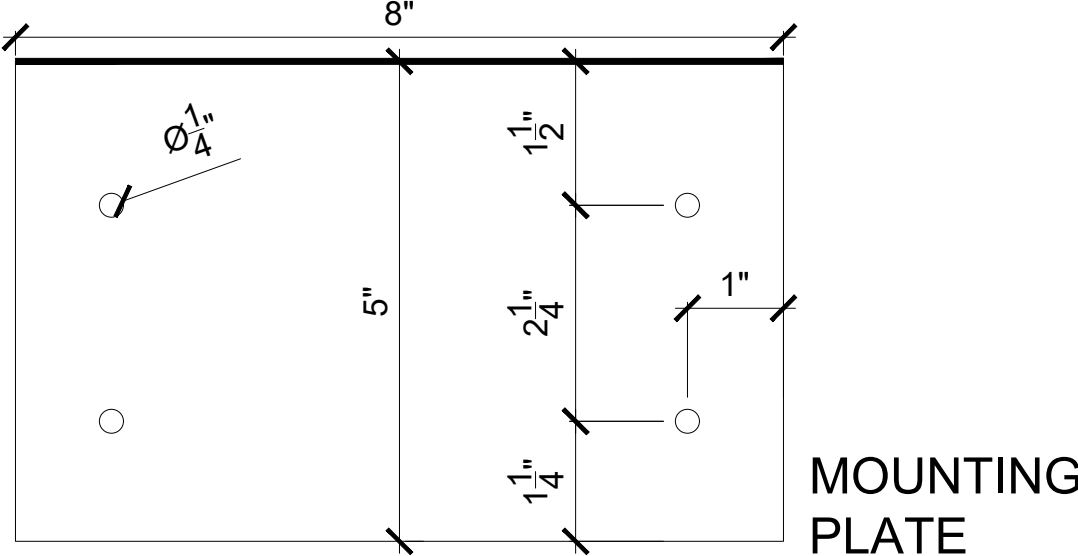


# PBIK-PBMBT: Push Button Ignition w/ Mounting Bracket



SIDE ELEVATION



**CONFIDENTIAL:**  
Any information data and drawings embodied in this document are proprietary and strictly confidential, are to be held as confidential and supplied with the understanding that they will not be disclosed, in whole or in part or in any form, to third parties without the prior written consent of Warming Trends, Inc. All information, illustrations, screen shots, and data contained are herein Copyright © Warming Trends Inc. all rights reserved.

Date: Jan 2019	Customer:	Approved by:
Scale: 6" = 1'-0"	Estimate #:	Approval Date:
Tolerance: 0.125"	Revision Date: April 2019	
Dwg: S:\_AutoCad Drawings\2018_CFB FINAL DWGS\IGNITION TYPES\PushButtonBracket-PBIK		