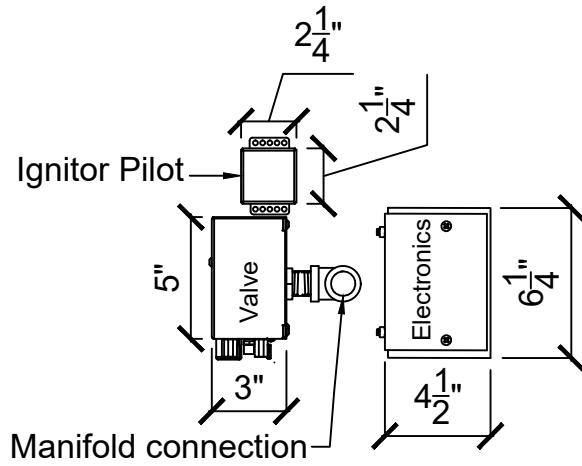


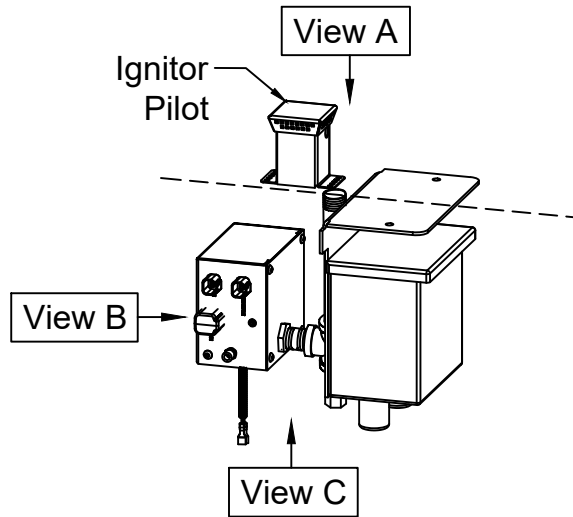
# PLATINUM ELECTRONIC IGNITION

- 103063 - 1/2" NATURAL GAS
- 103064 - 1/2" LIQUID PROPANE
- 103065 - 3/4" NATURAL GAS
- 103066 - 3/4" LIQUID PROPANE

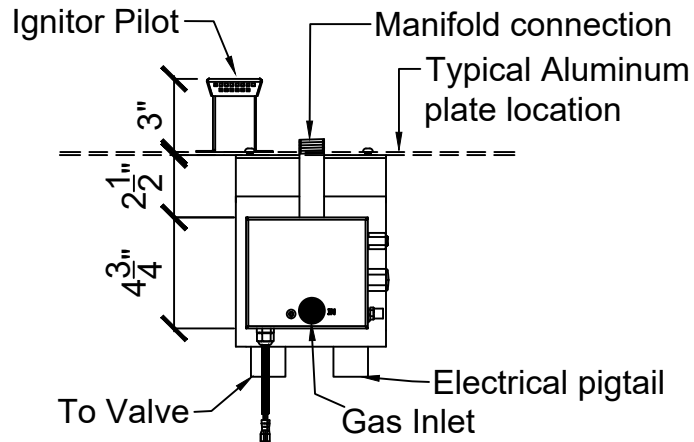
ALL PLATINUM IGNITIONS HAVE AN OPERATING CAPACITY OF 680K BTU



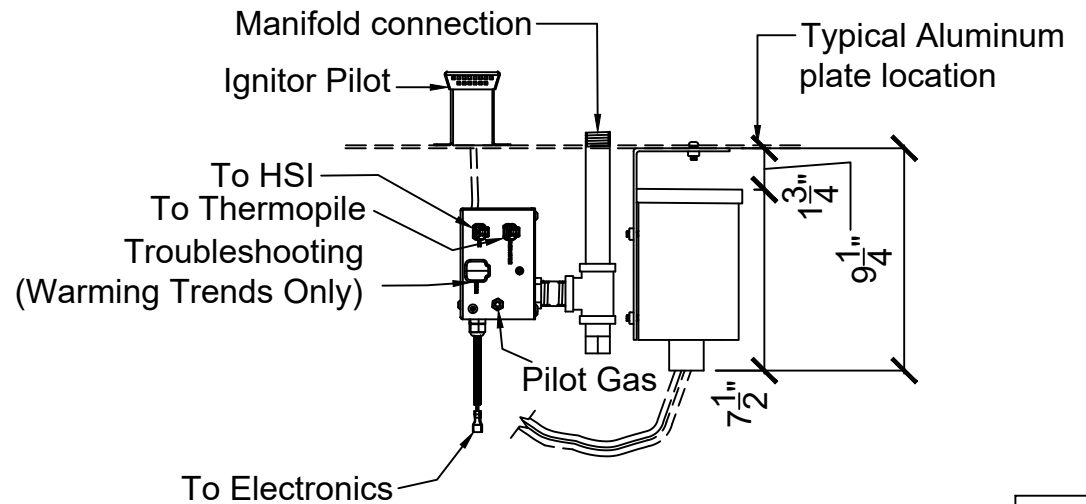
View A



Isometric View



View B



View C

**WARMING TRENDS**

**CROSSFIRE**  
BRASS BURNERS

www.warming-trends.com

**CONFIDENTIAL:**

Any information data and drawings embodied in this document are proprietary and strictly confidential, are to be held as confidential and supplied with the understanding that they will not be disclosed, in whole or in part or in any form, to third parties without the prior written consent of Warming Trends, Inc. All information, illustrations, screen shots, and data contained are herein Copyright © Warming Trends Inc. all rights reserved.

Date: 08/02/2023	Customer:	Approved by: KO
Scale: NTS	Estimate #:	Approval Date: 08/02/2023
Tolerance: 0.75"	Revision Date:	Designer: BLD