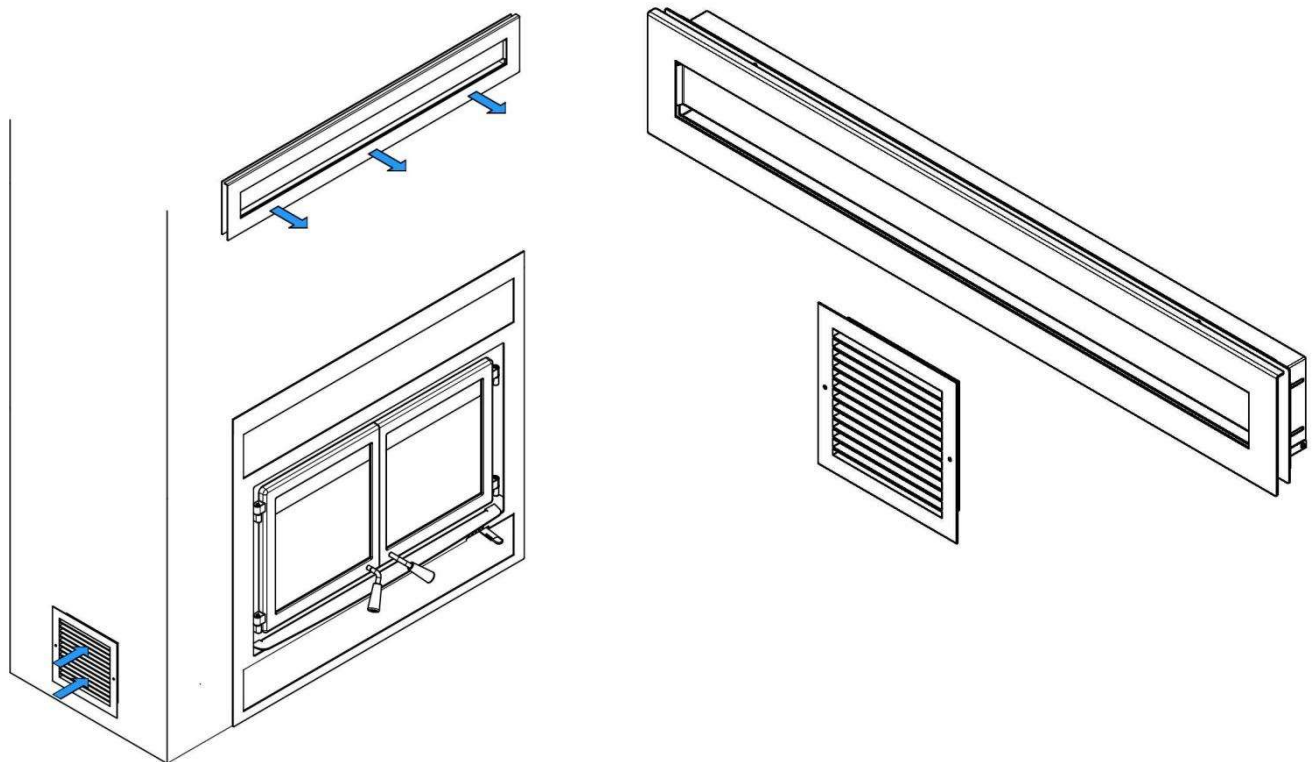




WARM AIR CIRCULATION GRILLE MODERN STYLE (AC01378)

INSTALLATION INSTRUCTIONS



Stove Builder International Inc.

250 rue Copenhague, Saint-Augustin-de-Desmaures (Québec), Canada, G3A 2H3

After-sale service: 418-908-8002 E-mail: tech@sbi-international.com



This manual is available for free download on the manufacturer's web site. It is a copyrighted document. Resale is strictly prohibited. The manufacturer may update this manual from time to time and cannot be responsible for problems, injuries, or damages arising out of the use of information contained in any manual obtained from unauthorized sources.

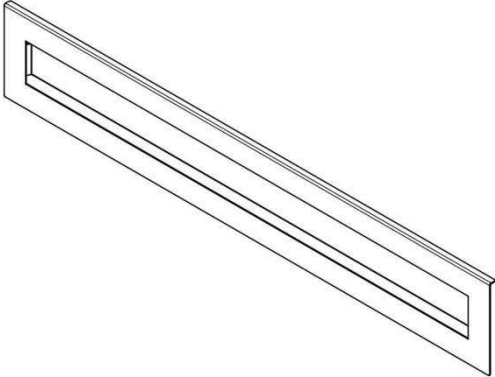
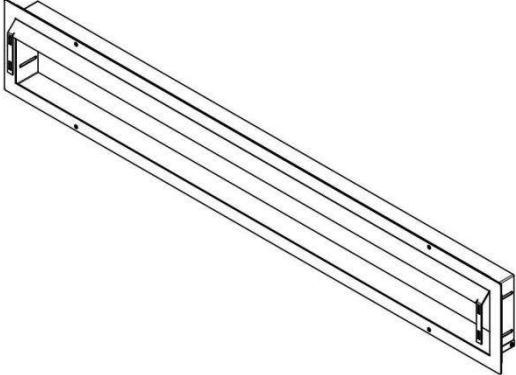
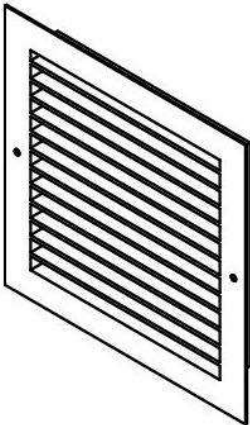
1. UTILIZATION

The warm air circulation grille dissipates the stored heat from the fireplace enclosure into the room where the fireplace is located.

WARNING

- **DO NOT MODIFY THE FIREPLACE OR THE CIRCULATION GRILLE.**
- **DO NOT INSTALL DUCTS BETWEEN THE FIREPLACE AND THE CIRCULATION GRILLE.**

2. BOX CONTENTS

1X		1X	
<i>Louvered face (A)</i>		<i>Grille support (B)</i>	
1X			
<i>Grille (C)</i>			

3. POSITIONING THE GRILLE

3.1. Grille support

Position the grille support **(B)** above the fireplace as shown in Figure 8 below.

WARNING

The grille support **(B)** can be installed anywhere in the **(X)** area. For an optimal air circulation, install the grille support as far as possible from the fireplace while respecting the 12" (305 mm) clearance from the ceiling.

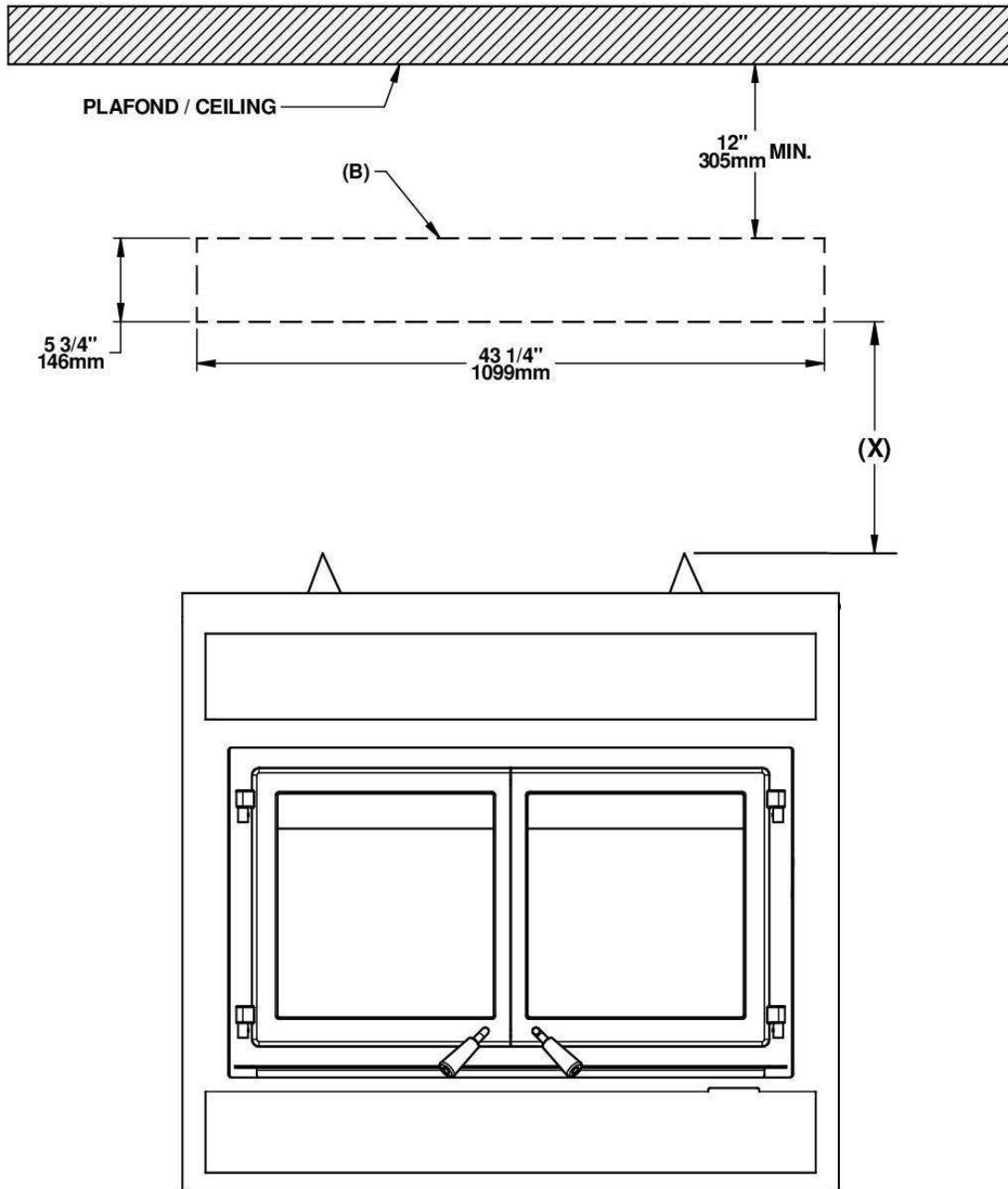


Figure 8 : Grille support location

3.2. Grille

For an optimal air circulation, position the grille (C) on one of the fireplace enclosure's side. The grille can also be installed on the enclosure's front wall, but the air circulation will be considerably reduced.

NOTE

It is not mandatory to install the grille (C), but it is highly recommended.

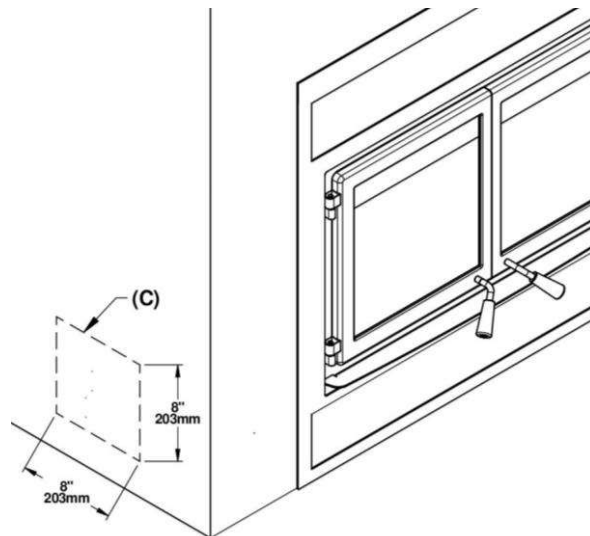


Figure 9 : Grille location

4. INSTALLATION INSTRUCTIONS

4.1. Grille support (B)

If the fireplace's facing material thickness is 1" or less, it is recommended installing the grille support using the four slotted holes located on the side of the grille support.

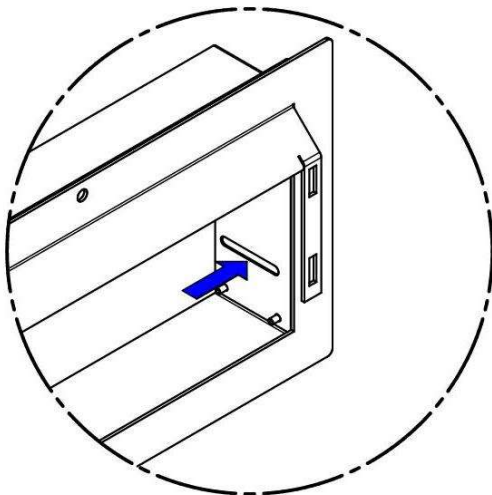


Figure 10 : Grille support – Slotted holes

If the fireplace's facing material thickness is more than 1", it is recommended installing the grille support using the four holes on the grille support facing.

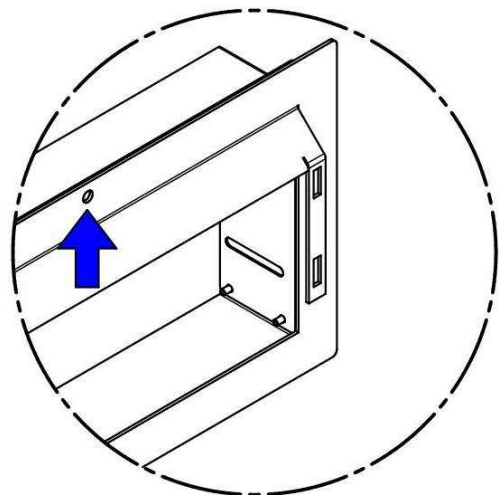


Figure 11 : Grille support – Holes in the facing

Installation with slotted holes

1. Build a non-combustible frame using the dimensions shown on Figure 8.
2. Secure the grille support on the frame using 4 metal screw #10 with a self-drilling point (not included)

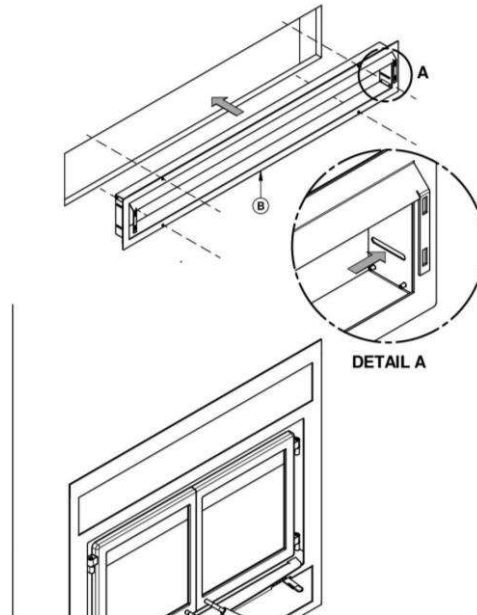


Figure 12 : Installation with slotted holes

Installation with holes in the facing

1. Position the grille support at the desired location and pre-drill the fireplace facing.
2. Secure the grille support (**B**) on the facing using four concrete screws 1/4" (not included).

Note : The concrete drill bit necessary to drill the facing is usually provided with concrete screws.

4.2. Grille (C)

1. Drill holes in the finishing material following dimensions on Figure 9.
2. Secure the grille (**C**) with 2 appropriate #10 screws depending on the finishing material used (not included)

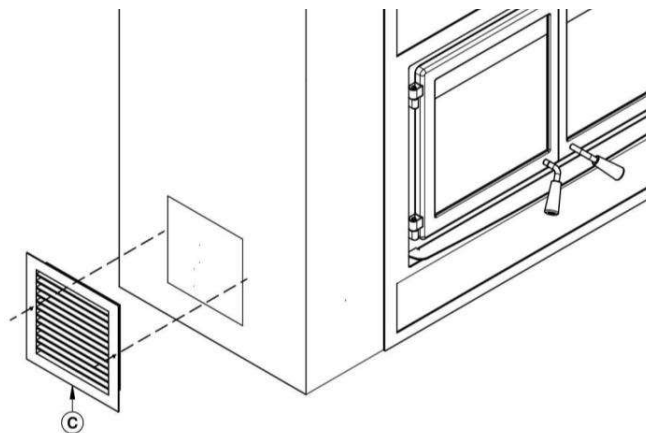


Figure 13 : Grille installation

4.3. Louvered face

Hook the louvered face (A) on the grille support (B).

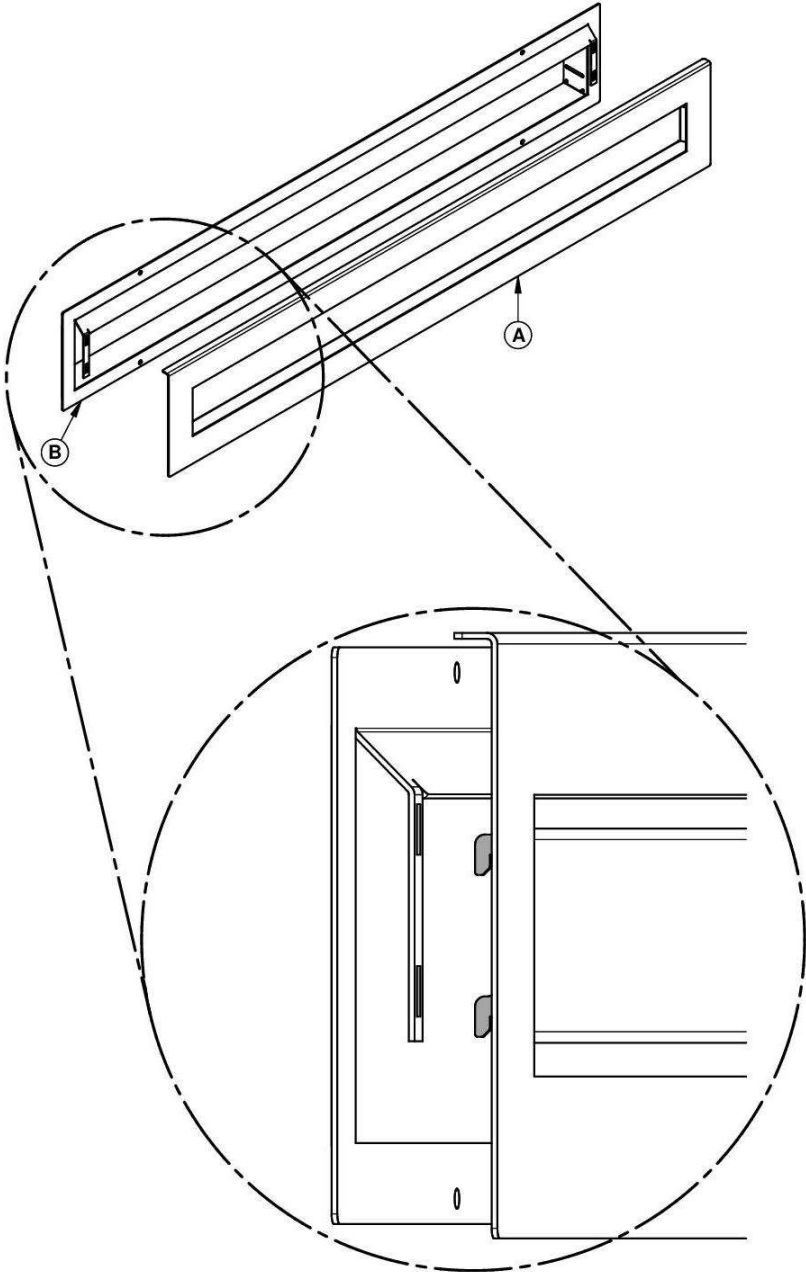


Figure 14 : Installation of the louvered face