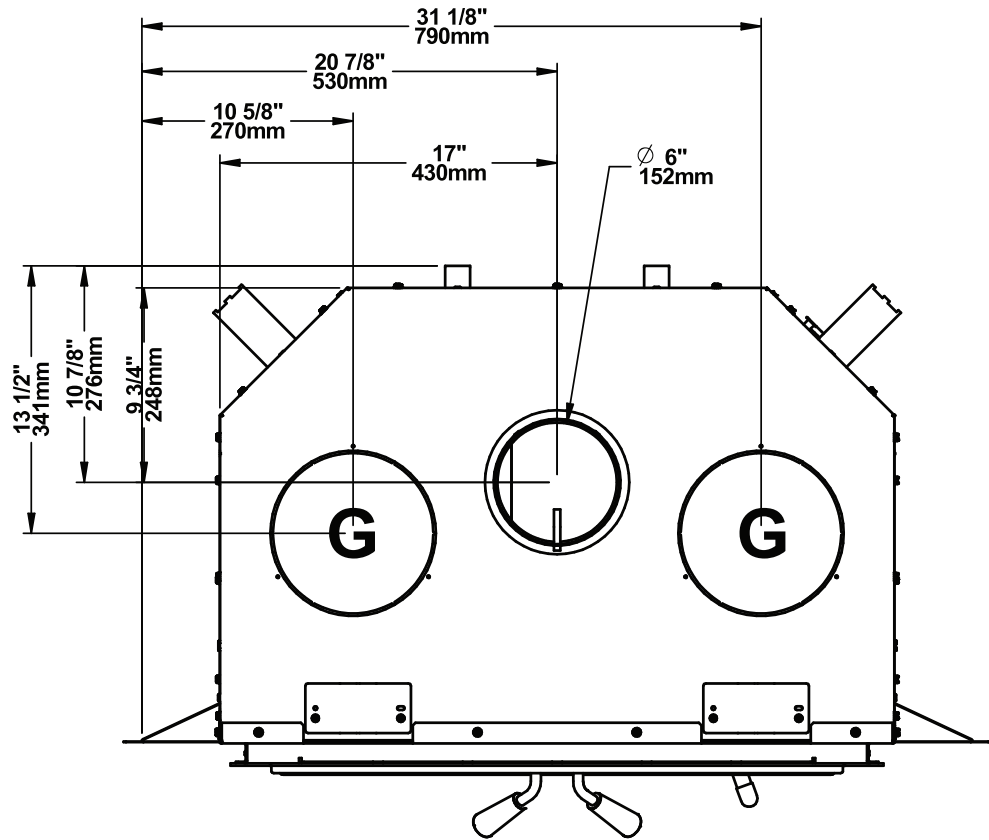
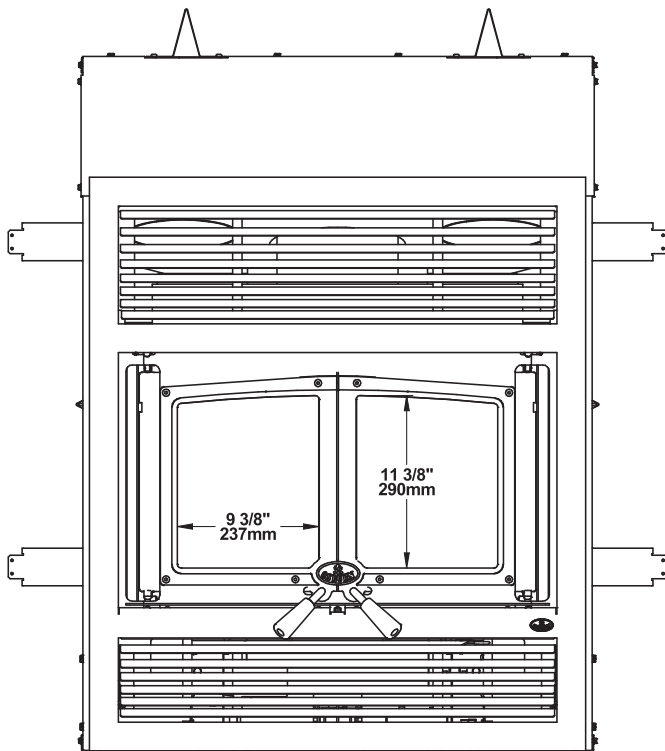


## 2.3 Dimensions

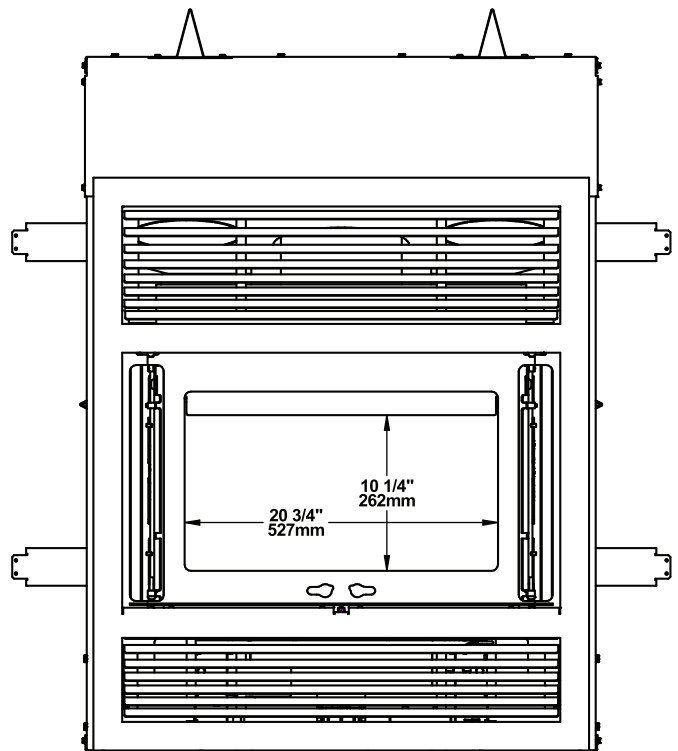
ENGLISH



Top view

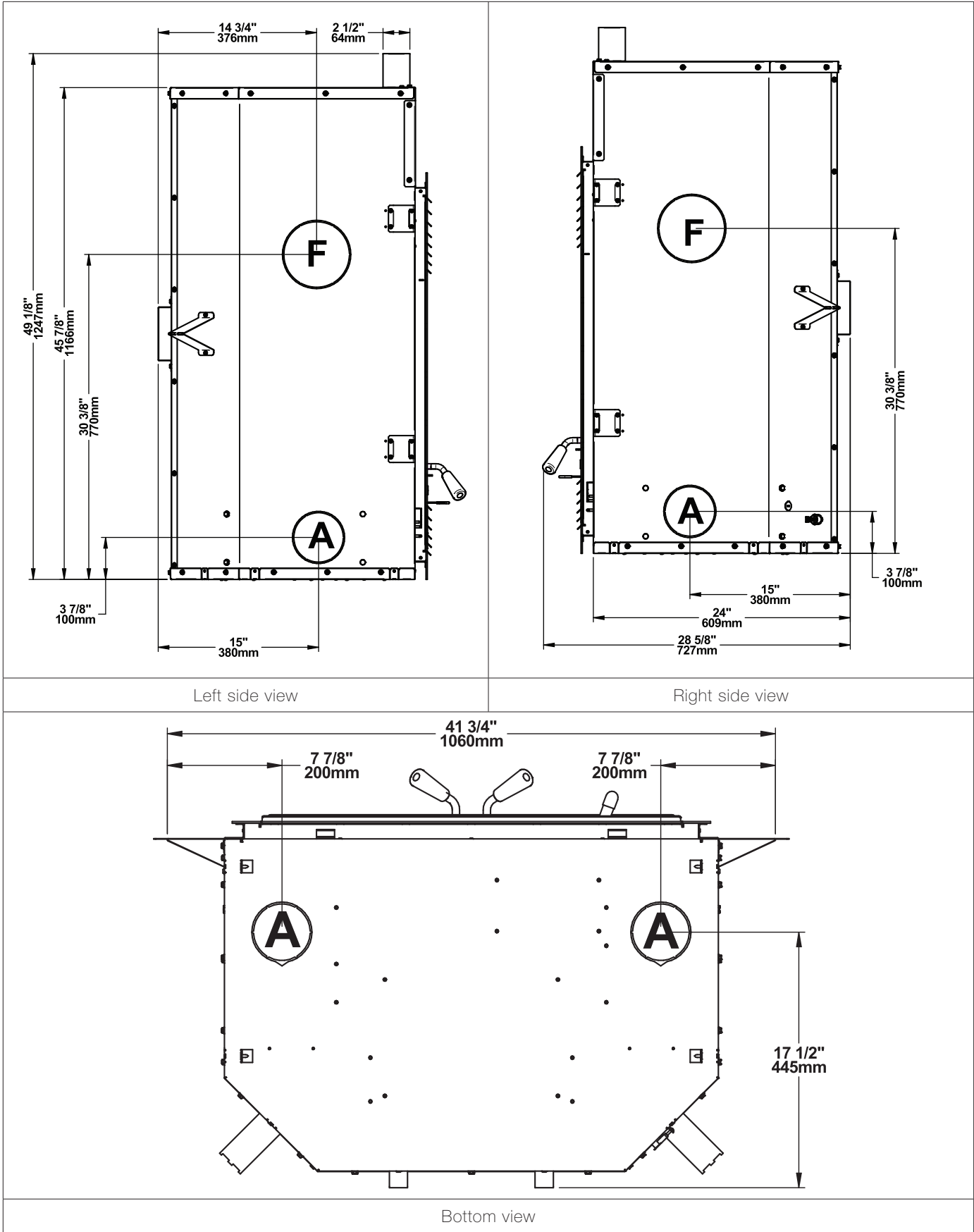


Front view

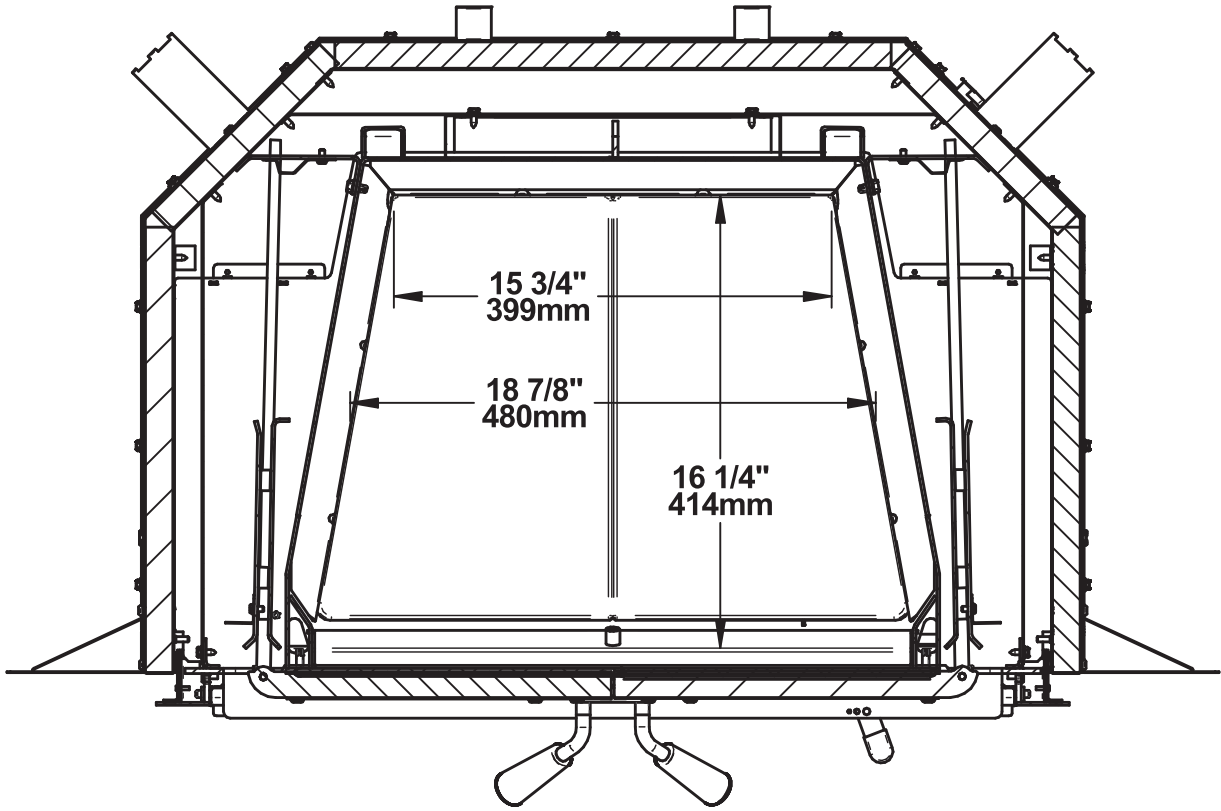


Front view - Door opening

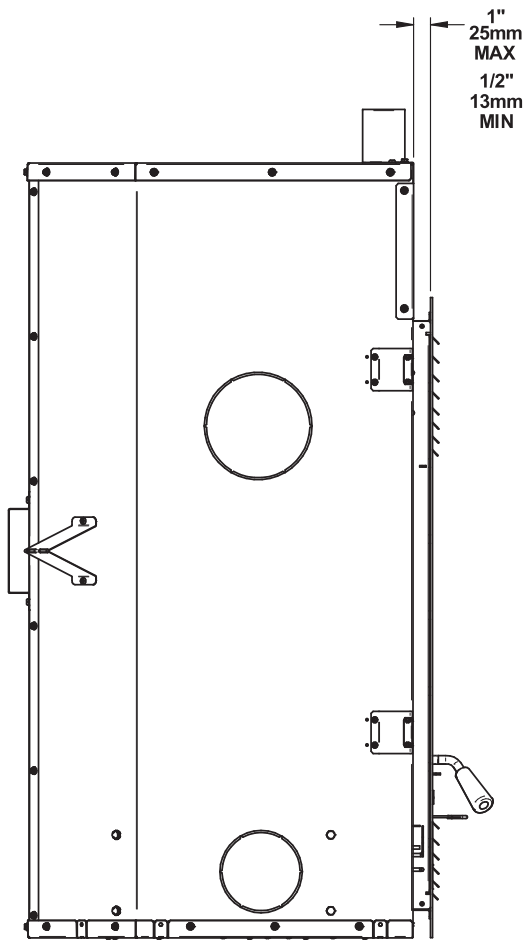
**G** : Opening for Hot air gravity kit (ø 8").



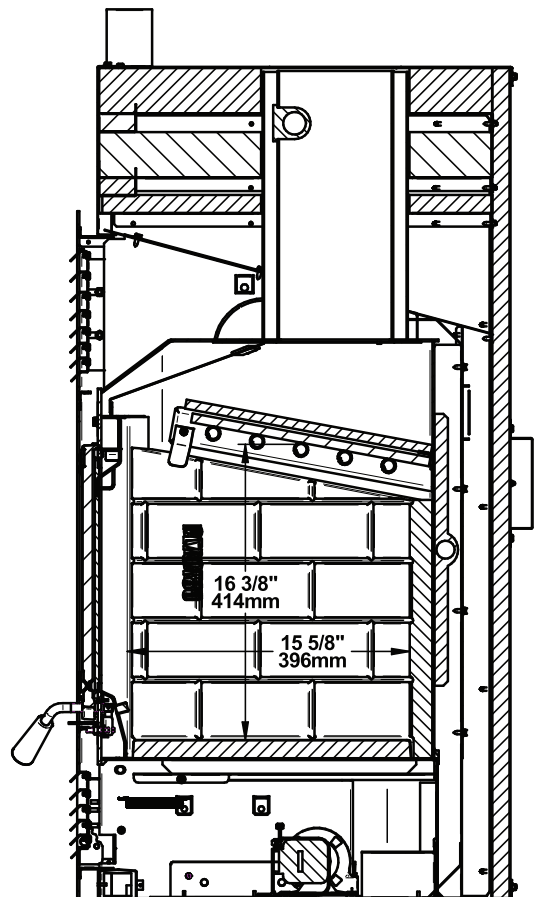
**F** : Opening for Hot air gravity kit (ø 6").  
**A** : Opening for fresh air intake (ø 4").



Combustion chamber - Top view



Left view - Faceplate projection



Combustion chamber - Side view