

2.3 Dimensions

2.3.1 Stove Dimensions with legs

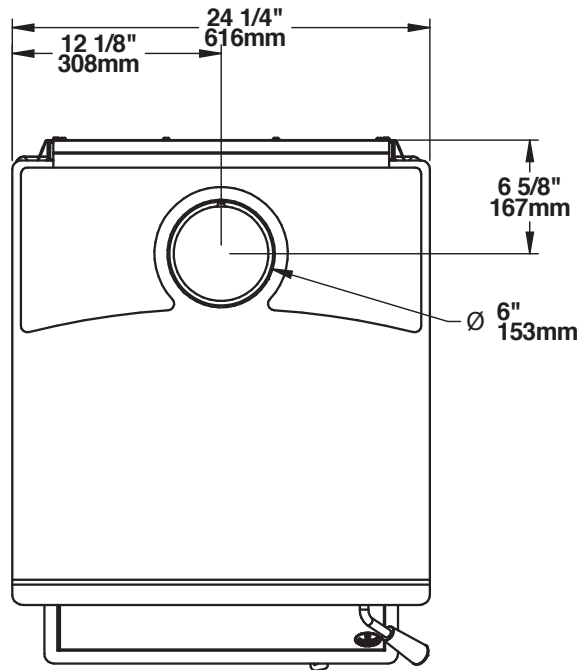


Figure 1: Top View

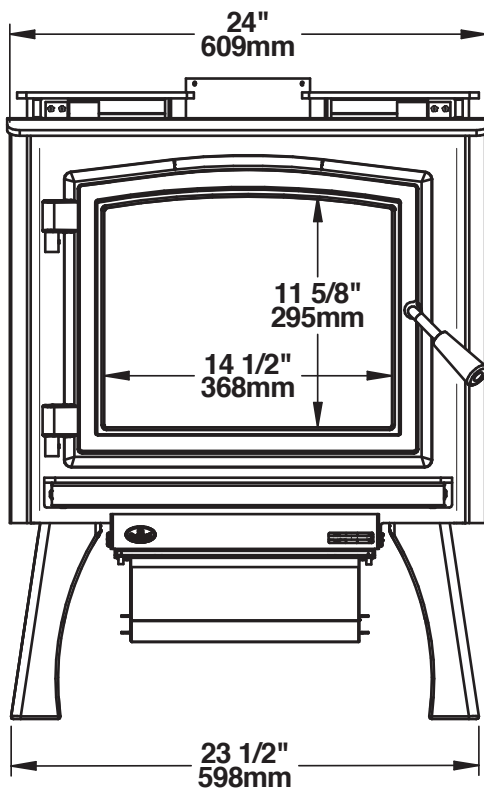


Figure 2: Front View

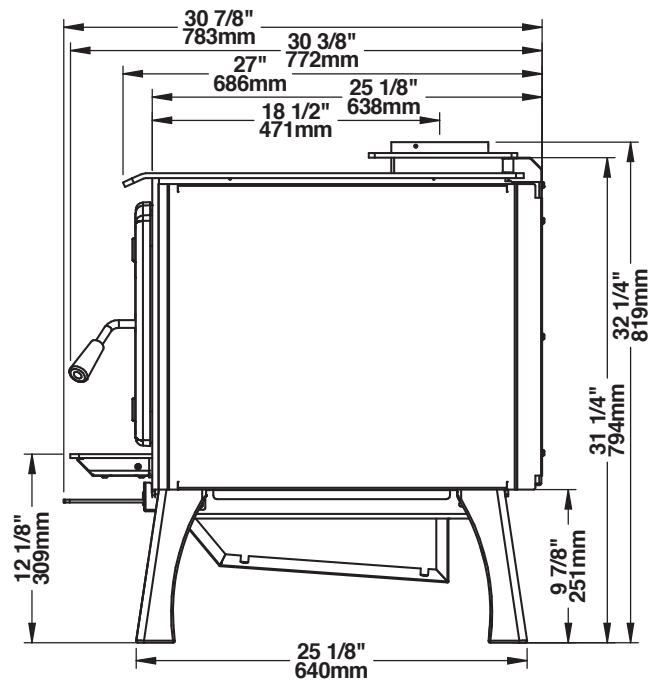


Figure 3: Side View

2.3.2 Stove Dimensions with pedestal

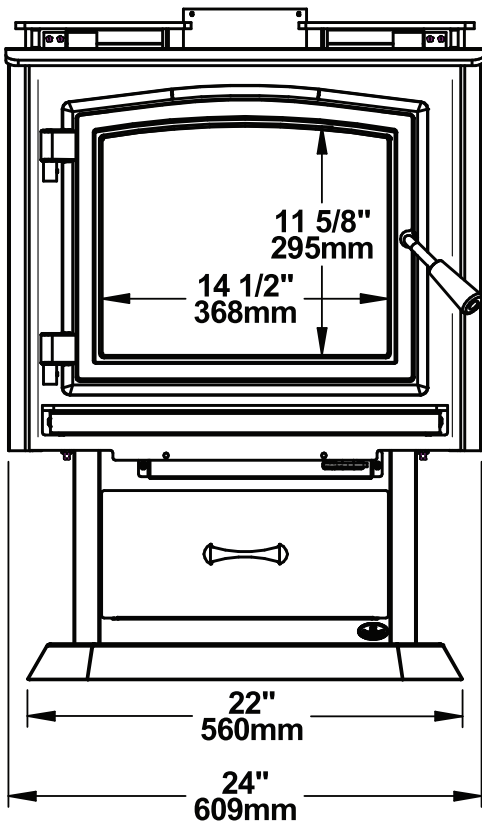


Figure 4: Front View

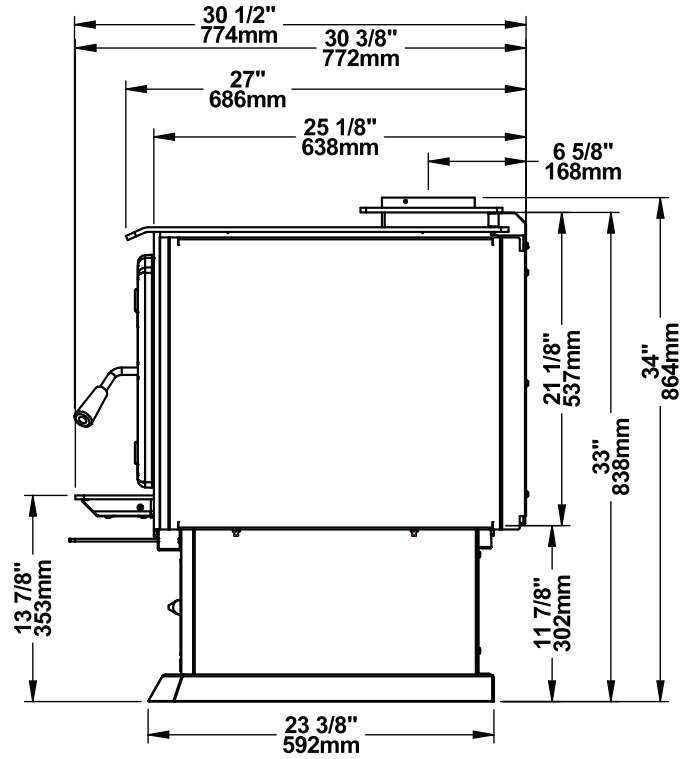


Figure 5: Side View

2.3.3 Combustion Chamber Dimensions

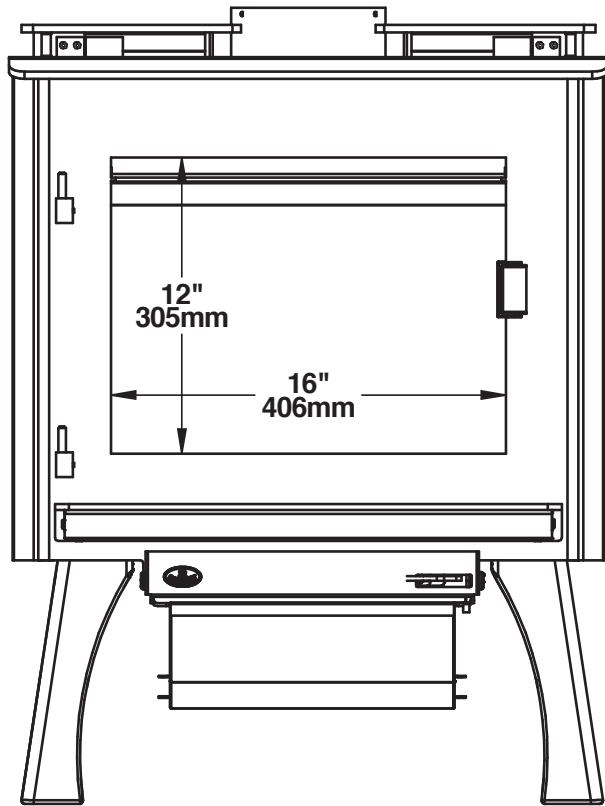


Figure 6: Door Opening

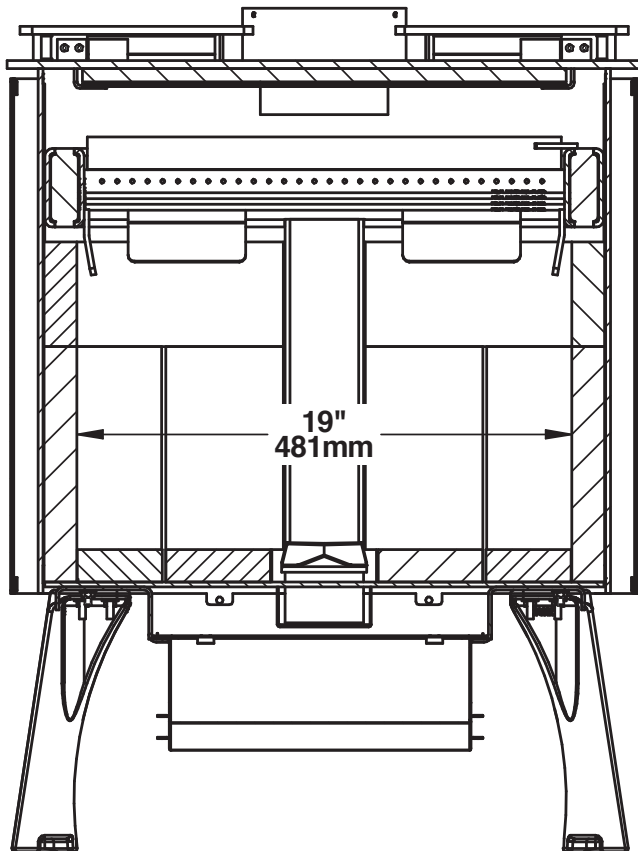


Figure 7: Front View - Combustion Chamber

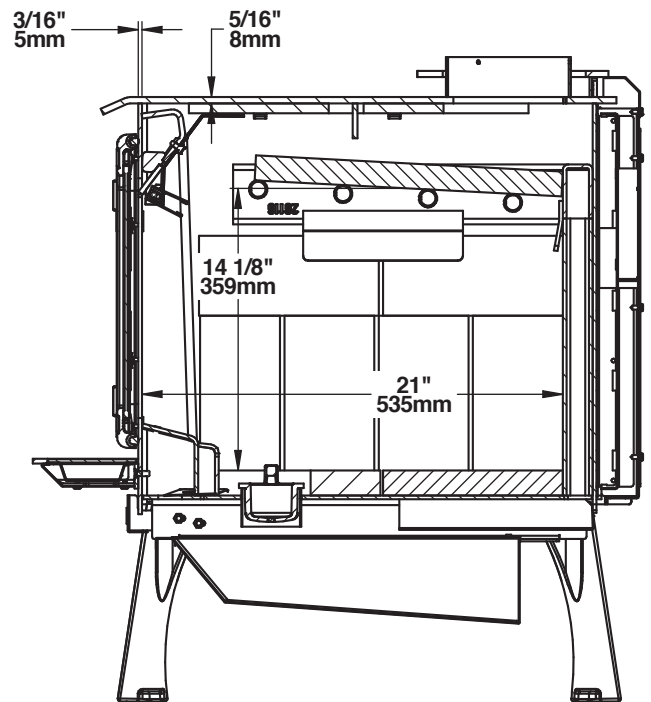


Figure 8: Side View - Combustion Chamber