

## 2.3 Dimensions

ENGLISH

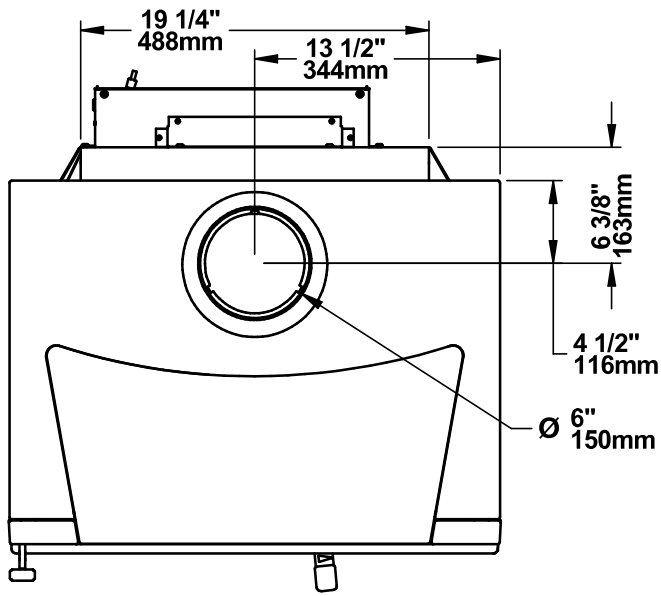


Figure 1: Top view

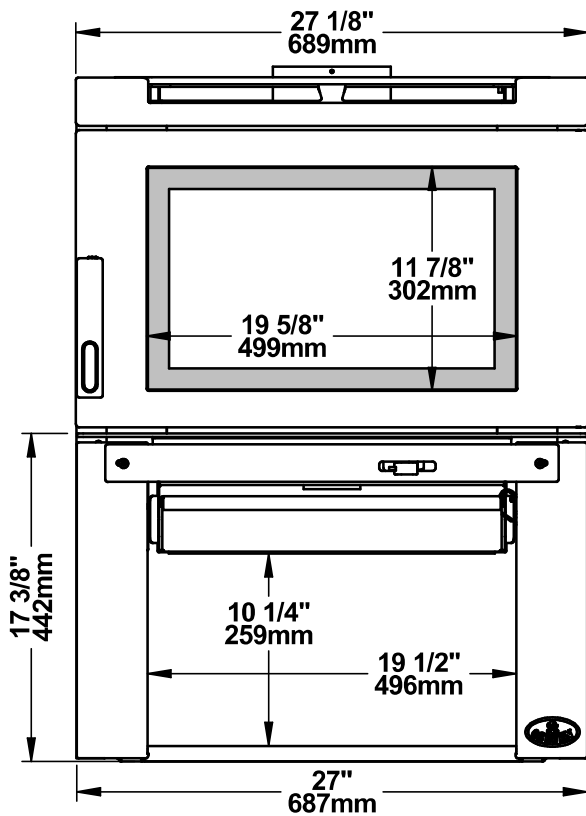


Figure 2: Front view

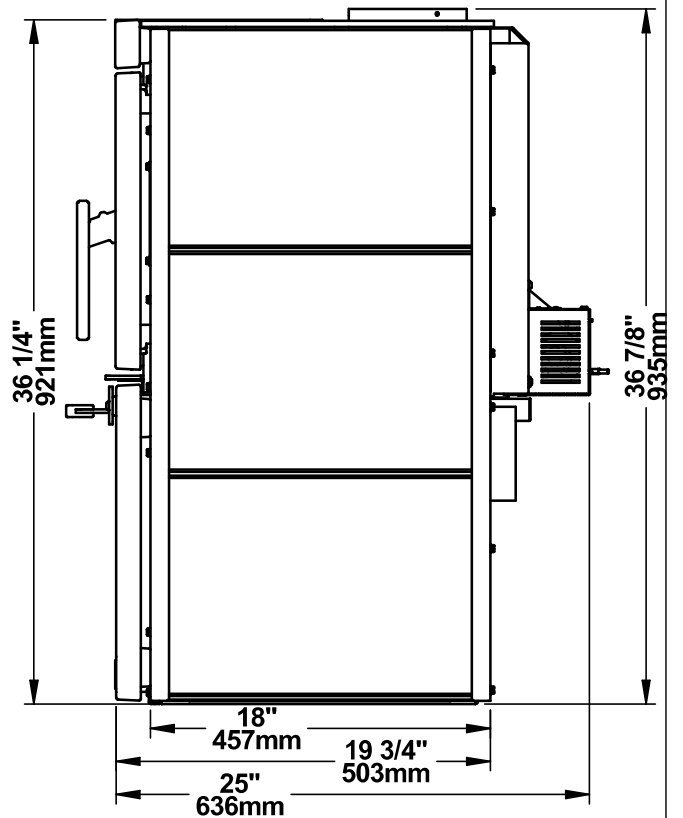


Figure 3: Side view

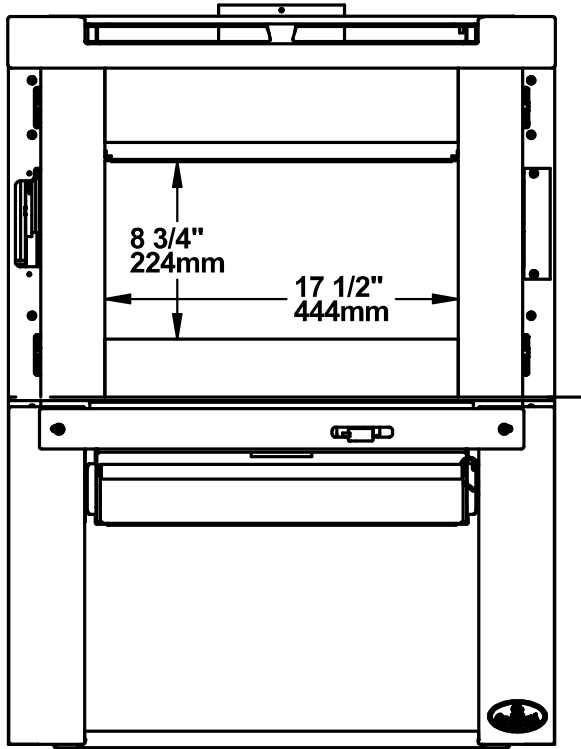


Figure 4: Door opening

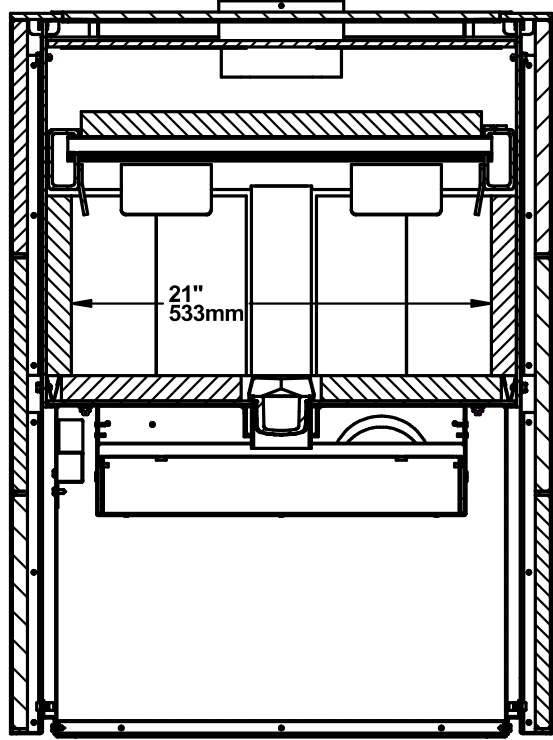


Figure 5: Front view - Combustion chamber

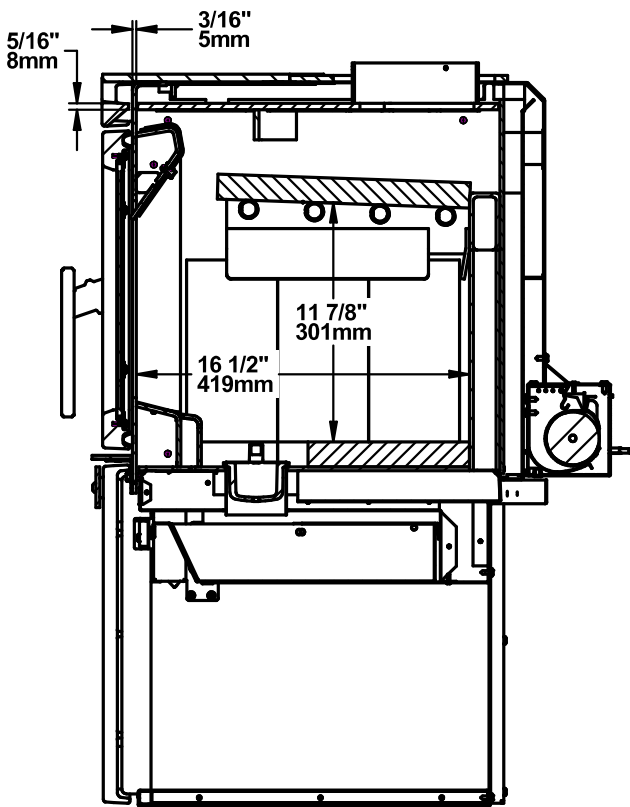


Figure 6: Side view - Combustion chamber