

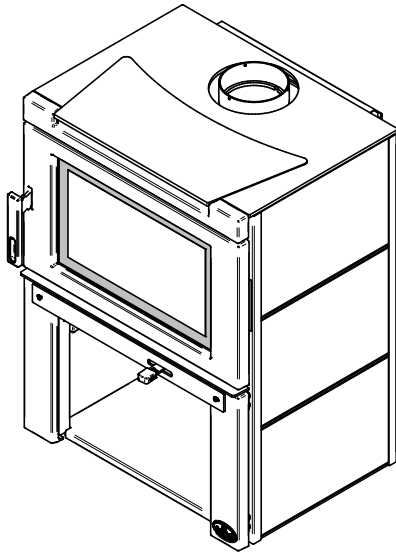


# Installation and Operation Manual

## MATRIX

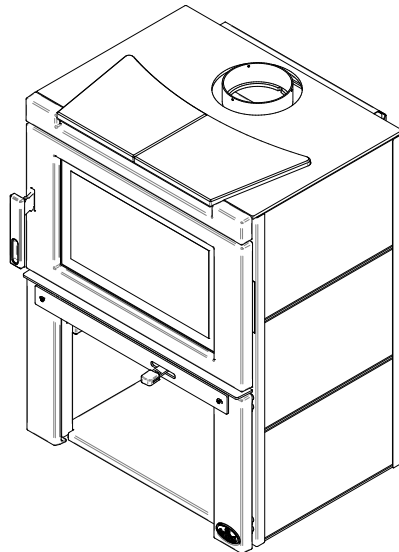
(OB02032 model)

ENGLISH



US Environmental Protection Agency  
phase II certified wood stove compliant  
with 2020 cord wood standard

EPA  
 $\leq 2.5$  g/h



Safety tested according to ULC S627,  
UL 1482 and UL 737 standards by an  
accredited laboratory.



CONTACT LOCAL BUILDING OR FIRE OFFICIALS ABOUT RESTRICTIONS AND INSTALLATION INSPECTION REQUIREMENTS IN LOCAL AREA.

READ THIS ENTIRE MANUAL BEFORE INSTALLATION AND USE OF THIS WOOD STOVE. FAILURE TO FOLLOW THESE INSTRUCTIONS COULD RESULT IN PROPERTY DAMAGE, BODILY INJURY OR EVEN DEATH.

**READ AND KEEP THIS MANUAL FOR REFERENCE**



# THANK YOU FOR CHOOSING THIS WOOD STOVE.

**If this stove is not installed properly, combustible materials near it may overheat and catch fire.**

**To reduce the risk of fire, follow the installation instructions in this manual.**

As one of North America's largest and most respected wood stove and fireplace manufacturers, Stove Builder International takes pride in the quality and performance of all its products.

The following pages provide general advice on wood heating, detailed instructions for safe and effective installation, and guidance on how to get the best performance from this stove.

It is highly recommend that this wood burning hearth product be installed and serviced by professionals who are certified by a «Qualified Agency» such as NFI (National Fireplace Institute®) or CSIA (Chimney Safety Institute of America) in the United States and in Canada by WETT (Wood Energy Technology Transfer) or in Quebec by APC (Association des Professionnels du Chauffage).

Contact local building or fire officials about restrictions and installation inspection requirements in local area.

A building permit might be required for the installation of this stove and the chimney that it is connected to. It is also recommended to inform your home insurance company.

Please read this entire manual before installing and using this stove.

A primary alternative heat source should be available in the home. This heating unit may serve as a supplementary heat source. The manufacturer cannot be responsible for additional heating costs associated with the use of an alternative heat source.

## ONLINE WARRANTY REGISTRATION

If the unit requires repairs during the warranty period, proof of purchase must be provided. The purchase invoice must be kept. The date indicated on it establishes the warranty period. If it can not be provided, the warranty period will be determined by the date of manufacture of the product.

It is also highly recommended to register the warranty online at

<https://www.osburn-mfg.com/en/warranty/warranty-registration/>

Registering the warranty will help to quickly find the information needed on the unit.

# TABLE OF CONTENTS

|   |           |
|---|-----------|
| <b>PART A - OPERATION AND MAINTENANCE .....</b> | <b>7</b>  |
| <b>1. Safety Information .....</b>              | <b>7</b>  |
| <b>2. General Information.....</b>              | <b>8</b>  |
| 2.1 Performances .....                          | 8         |
| 2.2 Specifications .....                        | 9         |
| 2.3 Dimensions.....                             | 10        |
| 2.5 Materials .....                             | 13        |
| 2.6 Zone Heating .....                          | 13        |
| 2.7 Emissions and Efficiency .....              | 14        |
| <b>3. Fuel .....</b>                            | <b>14</b> |
| 3.1 Tree Species.....                           | 14        |
| 3.2 Log Length.....                             | 15        |
| 3.3 Piece Size .....                            | 15        |
| 3.4 Compressed Wood Logs .....                  | 15        |
| 3.5 Drying Time .....                           | 16        |
| <b>4. Stove Operation .....</b>                 | <b>17</b> |
| 4.1 Pedestal Wood Storage.....                  | 17        |
| 4.2 The Use of a Fire Screen .....              | 17        |
| 4.3 Blower Operation.....                       | 18        |
| <b>5. Burning Wood Efficiently .....</b>        | <b>18</b> |
| 5.1 First Use.....                              | 18        |
| 5.2 Lighting Fires.....                         | 19        |
| 5.3 Combustion Cycles .....                     | 20        |
| 5.4 Rekindling a Fire .....                     | 21        |
| 5.5 Removing Ashes .....                        | 21        |
| 5.6 Air Intake Control .....                    | 22        |
| 5.7 Fire Types.....                             | 22        |
| <b>6. Maintenance .....</b>                     | <b>24</b> |
| 6.1 Cleaning and Painting .....                 | 24        |
| 6.2 Refractory Materials and Baffle .....       | 24        |
| 6.3 Glass Door .....                            | 24        |
| 6.4 Door .....                                  | 26        |
| 6.5 Exhaust System .....                        | 27        |
| 6.6 Frequency .....                             | 27        |
| <b>PART B - INSTALLATION.....</b>               | <b>29</b> |
| <b>7. Safety Information and Standards.....</b> | <b>29</b> |
| 7.1 Mobile Home .....                           | 29        |

7.2 Regulations Covering Stove Installation .....29

7.3 Location of the Certification Label .....30

**8. Clearances..... 30**

8.1 Combustible Materials.....30

8.2 Floor Protector .....35

**9. The Venting System..... 38**

9.1 General .....38

9.2 Suitable Chimneys .....38

9.3 Minimum Chimney Height .....40

9.4 Chimney Location .....40

9.5 Supply of Combustion Air .....41

9.6 Chimney Connector .....42

**Appendix 1: Side Panels Installation ..... 45**

**Appendix 2: Top Panels Installation ..... 47**

**Appendix 3: Log retainers installation ..... 48**

**Appendix 4: Optional Fresh Air Intake Installation ..... 49**

**Appendix 5: Optional Fire Screen Installation..... 50**

**Appendix 6: Blower and optional thermodisc installation..... 51**

**Appendix 7: Air Tubes and Baffle Installation ..... 52**

**Appendix 8: Exploded Diagram and Parts List..... 54**

**OSBURN LIMITED LIFETIME WARRANTY..... 57**

Dealer: \_\_\_\_\_

Installer: \_\_\_\_\_

Phone Number: \_\_\_\_\_

**Serial Number:** \_\_\_\_\_

# CERTIFICATION PLATE



**Intertek**  
March/Mars 2018  
Control number: 4002461

REFER TO INTERTEK'S DIRECTORY OF BUILDING PRODUCTS FOR DETAILED INFORMATION  
SE RÉFÉRER AU RÉPERTOIRE DES PRODUITS HOMOLOGUÉS D'INTERTEK POUR PLUS D'INFORMATION

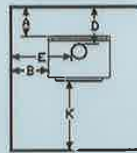
STANDARDS / NORMES D'ESSAI:  
Certified to/Certifié selon ULC S627  
Certified to/Certifié selon UL 1482  
Certified to/Certifié selon UL 737  
Certified to/Certifié selon CSA B415.1  
Certified to/Certifié selon ASTM E3053  
Certified to/Certifié selon ASTM E2515

LISTED SOLID FUEL BURNING APPLIANCE  
POÊLE À COMBUSTIBLE SOLIDE HOMOLOGUÉ

MODEL / MODÈLE :  
MATRIX

Serial Number  
No. de Série **999999**

## Clearances to combustibles / Dégagements aux combustibles



CANADA

Single wall connector  
Tuyau à paroi simple

A: 14.5 in./po. (368 mm)  
B: 17 in./po. (432 mm)  
C: 10 in./po. (254 mm)  
D: 18 in./po. (457 mm)  
E: 26.5 in./po. (673 mm)  
F: 19.75 in./po. (502 mm)

Double wall connector  
Tuyau à paroi double

A: 6 in./po. (152 mm)  
B: 17 in./po. (432 mm)  
C: 7 in./po. (178 mm)  
D: 9.25 in./po. (235 mm)  
E: 26.25 in./po. (667 mm)  
F: 16.5 in./po. (419 mm)



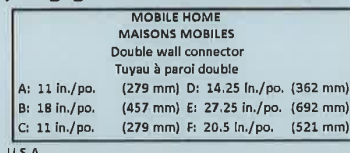
U.S.A.

Single wall connector  
Tuyau à paroi simple

A: 11 in./po. (279 mm)  
B: 16 in./po. (406 mm)  
C: 10 in./po. (254 mm)  
D: 14.5 in./po. (368 mm)  
E: 25.5 in./po. (648 mm)  
F: 19.75 in./po. (502 mm)

Double wall connector  
Tuyau à paroi double

A: 6 in./po. (152 mm)  
B: 16 in./po. (406 mm)  
C: 7 in./po. (178 mm)  
D: 9.25 in./po. (235 mm)  
E: 25.25 in./po. (641 mm)  
F: 16.5 in./po. (419 mm)

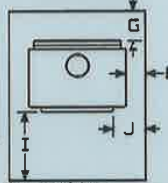


U.S.A.

MOBILE HOME  
MAISONS MOBILES  
Double wall connector  
Tuyau à paroi double

A: 11 in./po. (279 mm) D: 14.25 in./po. (362 mm)  
B: 18 in./po. (457 mm) E: 27.25 in./po. (692 mm)  
C: 11 in./po. (279 mm) F: 20.5 in./po. (521 mm)

Back / Arrière



Protection de plancher/Floor protection

CANADA

G: 8 in./po. (203 mm)  
H: 8 in./po. (203 mm)  
I: 18 in./po. (457 mm)  
K: 48 in./po. (1219 mm)

U.S.A.

I: 16 in./po. (406 mm)  
J: 8 in./po. (203 mm)  
K: 36 in./po. (914 mm)

Floor-ceiling/plancher-plafond: 84 in./po. (213cm)

\* See owner's manual for other clearances with lowered ceiling/  
voir manuel d'installation pour autres dégagements avec plafond abaissé

### PREVENT HOUSE FIRES

- Install and use only in accordance with the manufacturer's installation and operating instructions.
- Contact local building or fire officials about restrictions and installation inspection in your area.
- Use listed 152 mm / 6 in. diameter single or double wall connectors with prefabricated chimneys approved UL 103 HT (US) and ULC S629 (CAN) suitable for solid fuels or lined masonry chimneys.
- See local building code and manufacturer's instructions for precautions required for passing a chimney through a combustible wall or ceiling.
- This stove must be installed as a freestanding heater with the clearances listed in the manufacturer's installation instructions. It is strictly forbidden to install this stove in a factory-built fireplace.
- Do not pass connector through combustible wall or ceiling.
- Do not connect this unit to a chimney serving another appliance.
- Use with wood only. Do not use other fuels.
- Operate only with door closed or door open with firescreen installed. Open door or remove firescreen to feed the stove only.
- Log storage approved.
- Do not use grate or elevate fire. Build fire directly on hearth.
- Do not overfire. If heater or chimney connector glows, you are overfiring.
- Inspect and clean chimney frequently. Under certain condition of use, creosote buildup may occur rapidly.
- Replace glass with ceramic type only.
- Install unit on a non-combustible material extending as shown above on this label.
- Suitable for mobile-home installation. Floor protection may vary from pedestal to legs version refer to owner's manual.
- Combustion air openings shall not be obstructed.
- This wood heater needs periodic inspection and repair for proper operation. Consult the owner's manual for further information. It is against US federal regulations to operate this wood heater in a manner inconsistent with the operating instructions in the owner's manual.

Blower: (115V, 0.8A, 60Hz)

### PRÉVENEZ LES INCENDIES

- Installer et utiliser conformément au manuel d'utilisation du fabricant.
- Contactez les autorités de votre localité ayant juridiction concernant les restrictions et inspections d'installation.
- Utiliser des tuyaux d'évacuation à parois simple ou double homologués d'un diamètre de 6 po. (152 mm) avec une cheminée préfabriquée approuvée UL 103 HT (US) et ULC S629 (CAN) pour utilisation au bois ou une cheminée de maçonnerie gainée.
- Voir les codes locaux et le manuel d'installation du fabricant pour le passage de la cheminée à travers un mur ou un plafond combustible.
- Ce poêle doit être installé comme appareil de chauffage autonome avec les dégagements indiqués dans les instructions d'installation du fabricant. Il est strictement défendu d'installer ce poêle dans un foyer préfabriqué.
- Ne pas traverser un plafond ou un mur combustible avec un tuyau d'évacuation.
- Ne pas raccorder cet appareil à une cheminée déservant un autre appareil.
- Brûler du bois seulement. Ne pas utiliser d'autres combustibles.
- Garder la porte fermée ou le pare-étincelle en place en tout temps. Ouvrir la porte ou retirer le pare-étincelle que lors du chargement.
- Compartment à bois approuvé.
- Ne pas utiliser de grilles ou de chenets pour surélever le feu. Préparer le feu directement sur l'âtre.
- Ne pas surchauffer. Si l'appareil ou le tuyau rougit, il y a surchauffe.
- Inspecter et nettoyer la cheminée fréquemment. Sous certaines conditions, l'accumulation de crasse peut être rapide.
- Remplacer la vitre seulement avec un verre de céramique.
- Installer l'appareil sur une plaque non combustible tel qu'indiqué sur l'étiquette.
- Poêle approuvé pour maison mobile. La protection de plancher peut varier entre la version plédestal et sur pattes. Voir le manuel d'instructions.
- Les entrées d'air servant à la combustion ne doivent pas être obstruées.
- Cet appareil de chauffage requiert des inspections et réparations périodiques. Consulter le manuel de l'utilisateur pour plus d'information. Opérer cet appareil de chauffage de façon inconsistente par rapport au manuel de l'utilisateur consiste une violation de la loi fédérale (USA).

Ventilateur: (115V, 0.8A, 60Hz)

U.S. ENVIRONMENTAL PROTECTION AGENCY Certified to comply with 2020 particulate emission standards using cordwood.  
AGENCE DE PROTECTION DE L'ENVIRONNEMENT DES É.-U. Conforme aux normes d'émission de particules de 2020 avec bûche de bois.

Weighted average emission rate / Moyenne pondérée des émissions : 2.3 g/h

Tested and certified in compliance with CFR 40 part 60, subpart AAA, section 60.534(a)(1)(ii)

WARNING: This product can expose you to carbon monoxide, which is known to the State of California to cause cancer, birth defects or other reproductive harm.  
(For more information go to [www.p65warnings.ca.gov](http://www.p65warnings.ca.gov))



## CAUTION

- HOT WHILE IN OPERATION.
- DO NOT TOUCH. KEEP CHILDREN, CLOTHING AND FURNITURE AWAY.
- CONTACT MAY CAUSE SKIN BURNS. SEE NAME-PLATE AND INSTRUCTIONS.



## ATTENTION

- CHAUD EN FONCTIONNEMENT.
- NE PAS TOUCHER. GARDER LES ENFANTS, LES VÊTEMENTS ET LES MEUBLES ÉLOIGNÉS.
- UN CONTACT AVEC LA PEAU PEUT OCCASIONNER DES BRÛLURES. VOIR LES INSTRUCTIONS.

R27776

Made in St-Augustin-de-Desmaures (Qc), Canada  
05/10/2022 (# Test)

Fabricant de poêles international  
Stove Builder International

Fabriqué à St-Augustin-de-Desmaures (Qc), Canada  
05/10/2022 (# Test)

ENGLISH

## PART A - OPERATION AND MAINTENANCE

### 1. Safety Information

- This stove has been tested for use with an open door in conjunction with a fire screen, sold separately. The door may be open, or fire screen removed only during lighting procedures or reloading. Always close the door or put back the fire screen after ignition. Do not leave the stove unattended when the door is opened with or without the fire screen.
- **WARNING : OPERATE ONLY WITH THE DOOR FULLY CLOSED OR FULLY OPEN WITH THE FIRE SCREEN IN PLACE. IF THE DOOR IS LEFT PARTLY OPEN, GAS AND FLAME MAY BE DRAWN OUT OF THE OPENING, CREATING RISKS FROM BOTH FIRE AND SMOKE.**
- **WARNING: ALWAYS OPERATE THE STOVE WITH THE ASH DRAWER CLOSED.**
- **HOT WHILE IN OPERATION, KEEP CHILDREN, CLOTHING AND FURNITURE AWAY. CONTACT MAY CAUSE SKIN BURNS. GLOVES MAY BE NEEDED FOR STOVE OPERATION.**
- Using a stove with cracked or broken components, such as glass, firebricks or baffle may produce an unsafe condition and may damage the stove.
- Open the air control fully before opening the loading door.
- **NEVER USE GASOLINE, LANTERN FUEL (NAPHTHA), FUEL OIL, MOTOR OIL, KEROSENE, CHARCOAL LIGHTER FLUID, OR SIMILAR LIQUIDS OR AEROSOLS TO START A FIRE IN THIS STOVE. KEEP ALL SUCH LIQUIDS OR AEROSOLS WELL AWAY FROM THE STOVE WHILE IT IS IN USE.**
- Do not store fuel within heater minimum installation clearances.
- Burn only seasoned natural firewood.
- This appliance should always be maintained and operated in accordance with these instructions.
- Do not elevate the fire by using a grate.
- Do not use makeshift materials or make any compromises when installing this appliance.
- This wood heater needs periodic inspection and repair for proper operation. It is against federal regulations to operate this wood heater in a manner inconsistent with operating instructions in this manual.
- A smoke detector, a carbon monoxide detector and a fire extinguisher should be installed in the house. The location of the fire extinguisher should be known by all family members.



This product can expose you to chemicals including carbon monoxide, which is known to the State of California to cause cancer, birth defects or other reproductive harm. For more information go to [www.P65warnings.ca.gov/](http://www.P65warnings.ca.gov/)

## 2. General Information

### 2.1 Performances

Values are as measured per test method, except for the recommended heating area, firebox volume, maximum burn time and maximum heat output.

ENGLISH

|   |  |                         |
|---|--|-------------------------|
| Model   | Matrix (OB02032)   |                         |
| Fuel Type   | Dry Cordwood   |                         |
| Combustion Technology                                   | Non-catalytic  |                         |
| Recommended heating area (sq. ft.) <sup>1</sup>         | 500 to 2,100 ft <sup>2</sup> (47 to 195 m <sup>2</sup> ) |                         |
| Overall firebox volume <sup>2</sup>                     | 2.4 ft <sup>3</sup> (0.068 m <sup>3</sup> )              |                         |
| EPA loading volume                                      | 1.95 ft <sup>3</sup> (0.055 m <sup>3</sup> )             |                         |
| Maximum burn time <sup>1</sup>                          | 8 hours  |                         |
| Maximum heat output (dry cordwood) <sup>3</sup>         | 75,000 BTU/h (22.0 kW)                                   |                         |
| Overall heat output rate (min. to max.) <sup>2 4</sup>  | 14,200 BTU/h to 44,500 BTU/h<br>(4.16 kW to 13.04 kW)    |                         |
| Average overall efficiency <sup>3</sup><br>Dry cordwood | 72 % (HHV) <sup>5</sup>                                  | 77 % (LHV) <sup>6</sup> |
| Optimum overall efficiency <sup>7</sup>                 | 79 %   |                         |
| Optimum heat transfer efficiency <sup>8</sup>           | 76 %   |                         |
| Average particulate emissions rate <sup>9</sup>         | 2.3 g/h (EPA / CSA B415.1-10) <sup>10</sup>              |                         |
| Average CO <sup>11</sup>                                | 69 g/h   |                         |

<sup>1</sup> Recommended heating area and maximum burn time may vary subject to location in home, chimney draft, heat loss factors, climate, fuel type and other variables. The recommended heated area for a given appliance is defined by the manufacturer as its capacity to maintain a minimum acceptable temperature in the designated area in case of a power failure.

<sup>2</sup> The overall firebox calculation is an approximation and is not intended to be used for loading. This volume includes a buffer zone to allow an easier fuel insertion, prevent ash spillage and allow the air wash to work properly.

<sup>3</sup> The maximum heat output (dry cordwood) is based on a loading density varying between 15 lb/ft<sup>3</sup> and 20 lb/ft<sup>3</sup>. Other performances are based on a fuel load prescribed by the standard. The specified loading density varies between 7 lb/ft<sup>3</sup> and 12 lb/ft<sup>3</sup>. The moisture content is between 19% and 25%.

<sup>4</sup> As measured per CSA B415.1-10 stack loss method.

<sup>5</sup> Higher Heating Value of the fuel.

<sup>6</sup> Lower Heating Value of the fuel.

<sup>7</sup> Optimum overall efficiency at a specific burn rate (LHV).

<sup>8</sup> The optimum heat transfer efficiency is for the low burn rate and represents the appliance's ability to convert the energy contained in the wood logs into energy transferred to the room in the form of heat and does not take into account the chemical losses during combustion.

<sup>9</sup> This appliance is officially tested and certified by an independent agency.

<sup>10</sup> Tested and certified in compliance with CFR 40 part 60, subpart AAA, section 60.534(a)(1)(ii) and ASTM E3053-17. Based on ALT-125 sent by EPA on February 28th, 2018.

<sup>11</sup> Carbon monoxide.



## 2.2 Specifications

|   |                                    |
|---|------------------------------------|
| Recommended log length                              | 16 in (406 mm) east-west           |
| Maximum log length <sup>12</sup>                    | 20 in (508 mm) east-west           |
| Flue outlet diameter                                | 6 in (150 mm)                      |
| Recommended connector pipe diameter                 | 6 in (150 mm)                      |
| Type of chimney                                     | ULC S629, UL 103 HT (2100 °F)      |
| Minimum chimney height                              | 12 feet                            |
| Baffle material                                     | C-Cast or equivalent               |
| Approved for alcove installation                    | Yes                                |
| Approved for mobile home installation <sup>13</sup> | Yes                                |
| Type of door  | Simple, glass with cast iron frame |
| Type of glass                                       | Ceramic glass                      |
| Blower  | Included (up to 130 CFM)           |
| Particulate emission standard <sup>14</sup>         | EPA / CSA B415.1-10                |
| USA standard (Safety)                               | UL 1482, UL 737                    |
| Canada standard (Safety)                            | ULC S627                           |

<sup>12</sup> North-south: ends of the logs visible, East-west: sides of the logs visible.

<sup>13</sup> Mobile homes (Canada) or manufactured homes (USA): The US Department of Housing and Urban Development describes “manufactured homes” better known as “mobile homes” as follows; buildings built on fixed wheels and those transported on temporary wheels/axles and set on a permanent foundation. In Canada, a mobile home is a dwelling for which the manufacture and assembly of each component is completed or substantially completed prior to being moved to a site for installation on a foundation and connection to service facilities and which conforms to the CAN/CSA-Z240 MH standard.

<sup>14</sup> Tested and certified in compliance with CFR 40 part 60, subpart AAA, section 60.534(a)(1)(ii) and ASTM E3053-17. Based on ALT-125 sent by EPA on February 28th, 2018.

## 2.3 Dimensions

ENGLISH

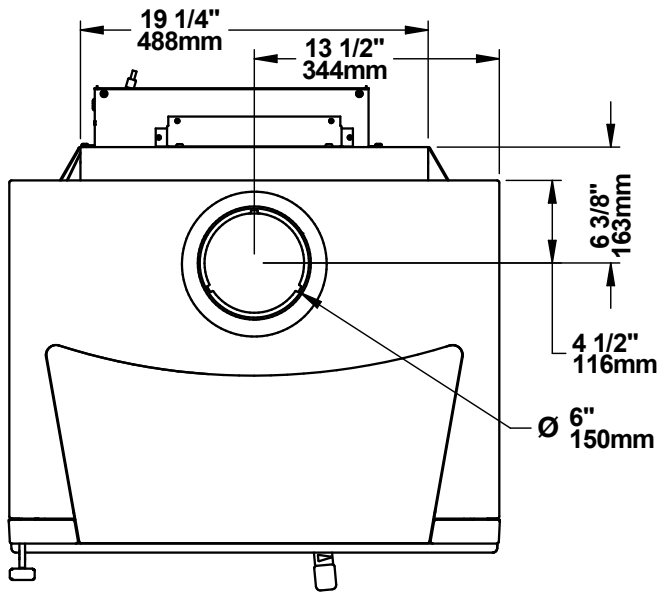


Figure 1: Top view

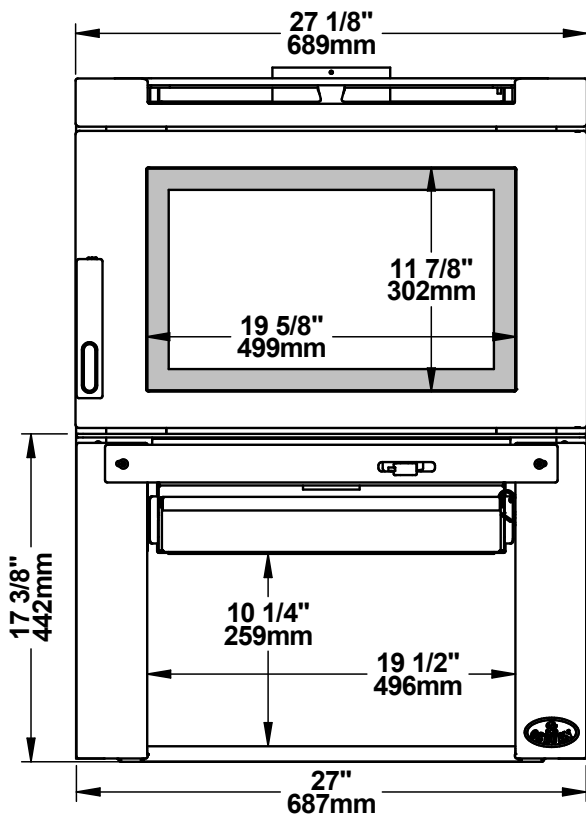


Figure 2: Front view

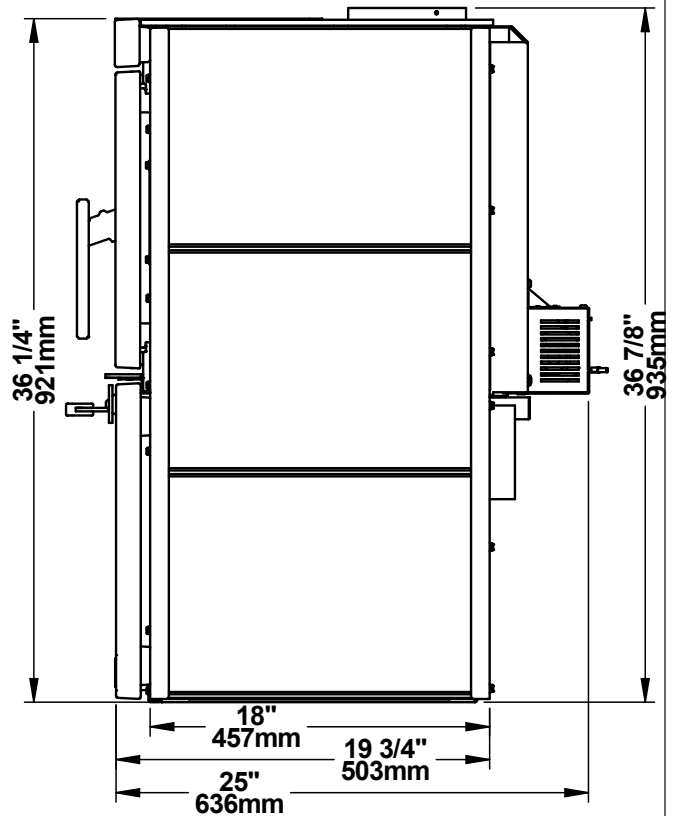


Figure 3: Side view

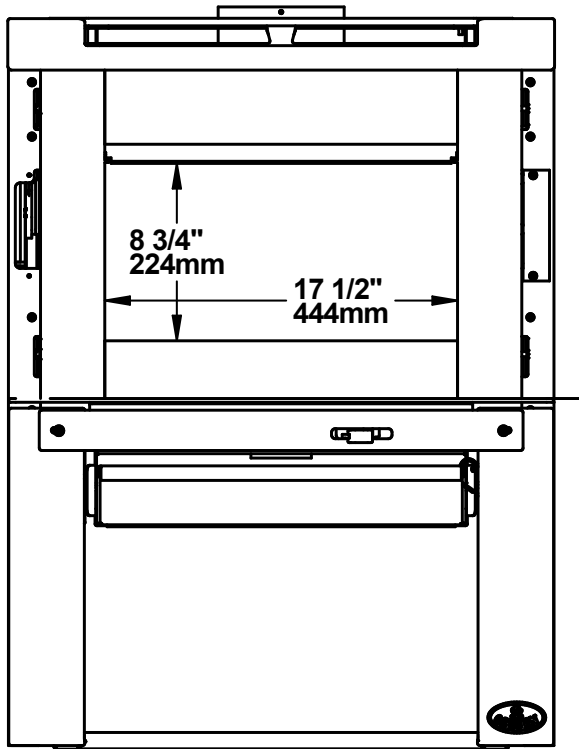


Figure 4: Door opening

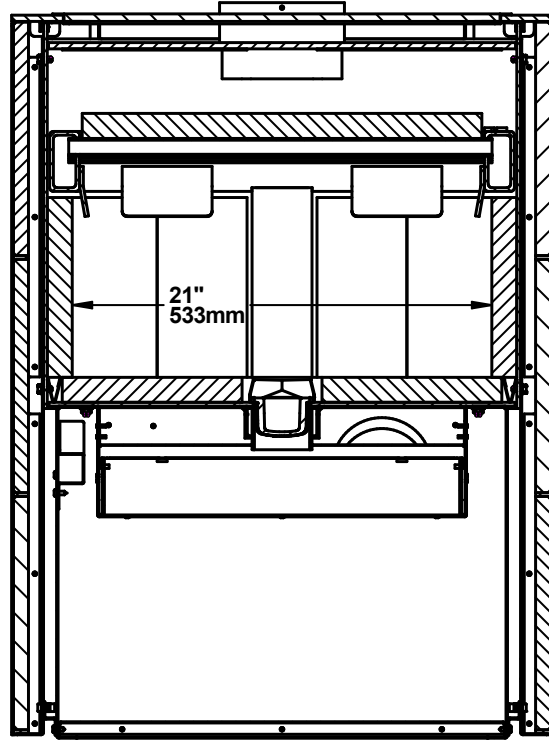


Figure 5: Front view - Combustion chamber

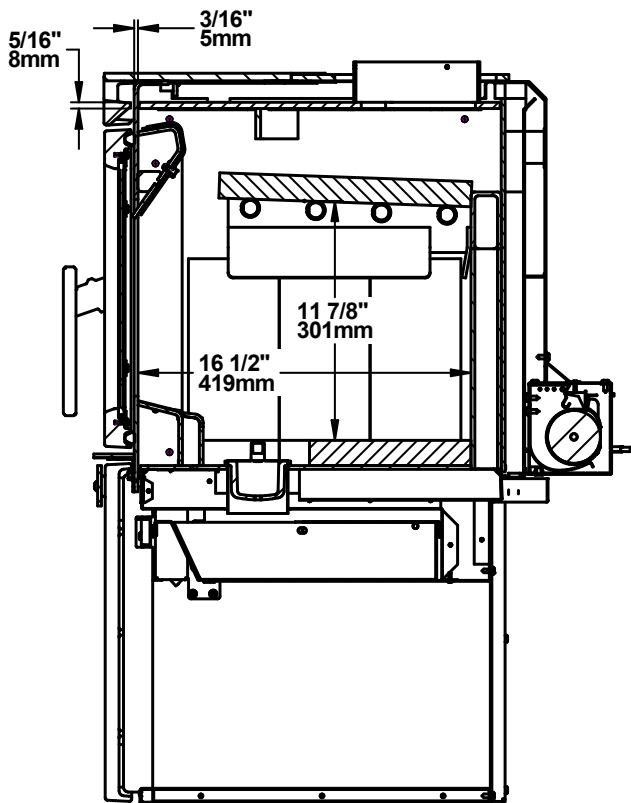


Figure 6: Side view - Combustion chamber

## 2.4 EPA Certification Loading

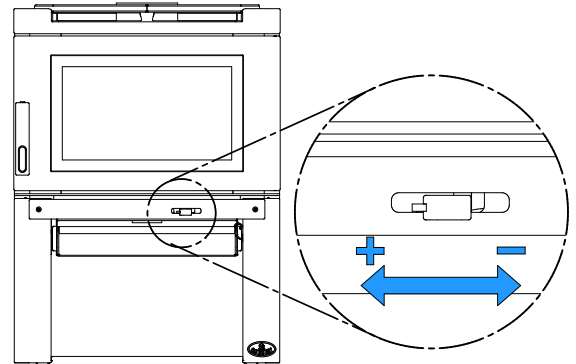
For EPA Certification testing, wood logs were  $16 \pm 1$  inches long and the specie used was hard maple.

### 2.4.1 Air Control

The air control is located underneath the ash shelf. To open the air control, pull the air control handle completely (High). This will increase the burn rate. To close the air control, push the air control handle completely (Low). This will decrease the burn rate.

### 2.4.2 High burn rate

Open the air control completely. Place height small pieces (2" x 2") of wood in the firebox crossing them at the greatest possible angle. Criss cross 10 to 16 kindling wood pieces on the small pieces of wood in three layers at the greatest possible angle. Tie knot with five sheets of paper and place them on top of the kindling wood. Light up the paper and let the door ajar at  $90^\circ$  until all the kindling wood is on fire and the first row of small pieces of wood is on fire too. Close the door. When there is no more fire in the front of the firebox and there are only faint flames on the wood in the back of the firebox, break ashes, level the coal bed and put five logs in the firebox. Put 3 pieces on the coal bed, without air space between them. Leave one inch of air space between the rear firebrick and the first piece. The two other pieces should be added on top of the first 3, in an East-West configuration. Let the door ajar to leave a space of one inch on the door handle's side for 1 minute maximum and then close the door.



### 2.4.3 Medium and low burn rate

On a two inches thick coal bed that is still red, place three logs in an East-West orientation. There should be air space between each log and between the logs and the bricks. The two other pieces should be added on top of the first three, slightly angled of  $20^\circ$ . Let the door ajar at  $90^\circ$  for approximately 5 min. Then, close the door with the primary air control open. Leave to burn with the primary air control open for approximately 10 more minutes and then close the primary air control completely for the low burn rate and halfway for the medium burn rate. For better results, close the air control gradually from the closing of the door to the complete closing of the air control.

## 2.5 Materials

The **body** of this stove, which is most of its weight, is carbon steel. Should it ever become necessary many years in the future, almost the entire stove can be recycled into new products, thus eliminating the need to mine new materials.

The **paint** coating on the stove is very thin. Its VOC content (Volatile Organic Compounds) is very low. VOCs can be responsible for smog, so all the paint used during the manufacturing process meets the latest air quality requirements regarding VOC reduction or elimination.

The **air tubes** are stainless steel, which can also be recycled.

The **baffle** is made of aluminosilicate fibre material that is compressed with a binder to form a rigid board. C-Cast can withstand temperatures above 2,000 °F. It is not considered hazardous waste. Disposal at a waste management center is recommended.

**The firebrick** is mainly composed of silicon dioxide, also known as silica, a product processed from a mined mineral. It is most commonly found in nature in the form of sand and clay. Disposal at a waste management center is recommended.

The door and glass **gaskets** are fibreglass which is spun from melted sand. Black gaskets have been dipped into a solvent-free solution. Disposal at a waste management center is recommended.

The door **glass** is a 5/32" (4 mm) thick ceramic material that contains no toxic chemicals. It is made of natural raw materials such as sand and quartz that are combined in such a way to form a high temperature glass. Ceramic glass cannot be recycled in the same way as normal glass, so it should not be disposed of with your regular household products. Disposal at a waste management center is recommended.

## 2.6 Zone Heating

This stove is a space heater, which means it is intended to heat the area it is installed in, as well as spaces that connect to that area, although to a lower temperature. This is called zone heating and it is an increasingly popular way to heat homes or spaces within homes.

Zone heating can be used to supplement another heating system by heating a particular space within a home, such as a basement, a family room or an addition that lacks another heat source.

Houses of moderate size and relatively new construction can be heated with a properly sized and located wood stove. Whole house zone heating works best when the stove is in the part of the house where the family spends most of its time. This is normally the main living area where the kitchen, dining and living rooms are located.

Locating the stove in this area will give the maximum benefit of the heat it produces and will achieve the highest possible heating efficiency and comfort. The space where the most time is spent will be warmest, while bedrooms and basement (if there is one) will stay cooler. In this way, less wood is burnt than with other forms of heating.

Although the stove may be able to heat the main living areas of the house to an adequate temperature, it is strongly recommended to also have a conventional oil, gas or electric heating system to provide backup heating.

The success of zone heating will depend on several factors, including the correct sizing and location of the stove, the size, layout and age of your home and your climate zone. Three-season vacation homes can usually be heated with smaller stoves than houses that are heated all winter.

## 2.7 Emissions and Efficiency

The low smoke emissions produced by the special features inside this stove firebox mean that the household will release up to 90% less smoke into the outside environment than if an older conventional stove was used. But there is more to the emission control technologies than protecting the environment.

The smoke released from wood when it is heated contains about half of the energy content of the fuel. By burning the wood completely, this stove releases all the heat energy from the wood instead of wasting it as smoke up the chimney. Also, the features inside the firebox allow control of the air supply meaning controlling the heat output, while maintaining clean and efficient flaming combustion, which boosts the efficient delivery of heat to the home.

The emission control and advanced combustion features of this stove can only work properly if the fuel used is in the correct moisture content range of 15% to 20%. Refer to the following section of suggestions on preparing fuelwood and judging its moisture.

## 3. Fuel

Good firewood has been cut to the correct length for the stove, split to a range of sizes and stacked in the open until its moisture content is down to 15% to 20%.

### DO NOT BURN:

- **COAL;**
- **GARBAGE;**
- **LAWN CLIPPINGS OR YARD WASTE;**
- **MATERIALS CONTAINING RUBBER, INCLUDING TIRES;**
- **MATERIALS CONTAINING PLASTIC;**
- **WASTE PETROLEUM PRODUCTS, PAINTS OR PAINT THINNERS, OR ASPHALT PRODUCTS;**
- **MATERIALS CONTAINING ASBESTOS;**
- **CONSTRUCTION OR DEMOLITION DEBRIS;**
- **RAILROAD TIES OR PRESSURE-TREATED WOOD;**
- **MANURE OR ANIMAL REMAINS;**
- **SALT WATER DRIFTWOOD OR OTHER PREVIOUSLY SALT WATER SATURATED MATERIALS;**
- **UNSEASONED WOOD; OR**
- **PAPER PRODUCTS, CARDBOARD, PLYWOOD, OR PARTICLE BOARD. THE PROHIBITION AGAINST BURNING THESE MATERIALS DOES NOT PROHIBIT THE USE OF FIRE STARTERS MADE FROM PAPER, CARDBOARD, SAW DUST, WAX AND SIMILAR SUBSTANCES FOR THE PURPOSE OF STARTING A FIRE IN AN AFFECTED WOOD HEATER.**

**BURNING THESE MATERIALS MAY RESULT IN THE RELEASE OF TOXIC FUMES OR RENDER THE HEATER INEFFECTIVE AND CAUSE SMOKE.**

### 3.1 Tree Species

The tree species the firewood is produced from is less important than its moisture content. The main difference in firewood from various tree species is the density of the wood. Hardwoods are denser than softwoods.

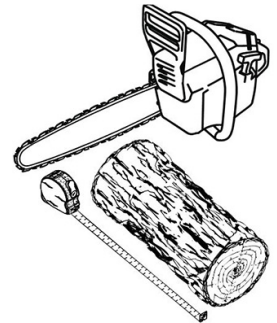
Homeowners with access to both hardwood and softwood use both types for different purposes.

Softer woods make good fuel for mild weather in spring and fall because they light quickly and produce less heat. Softwoods are not as dense as hardwoods so a given volume of wood contains less energy. Using softwoods avoids overheating the house, which can be a common problem with wood heating in moderate weather. Harder woods are best for colder winter weather when more heat and longer burn cycles are desirable.

Note that hardwood trees like oak, maple, ash and beech are slower growing and longer lived than softer woods like poplar and birch. That makes hardwood trees more valuable. The advice that only hardwoods are good to burn is outdated. Old, leaky cast iron stoves wouldn't hold a fire overnight unless they were fed large pieces of hardwood.

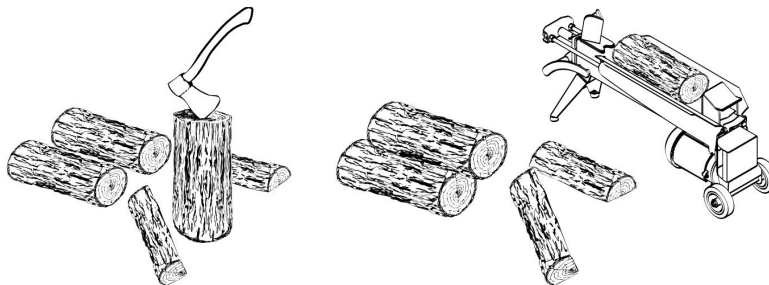
### 3.2 Log Length

Logs should be cut at least 1" (25 mm) shorter than the firebox so they fit in easily. Pieces that are even slightly too long makes loading the stove very difficult. The most common standard length of firewood is 16" (400 mm).



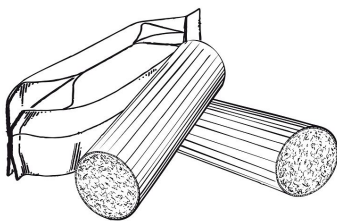
### 3.3 Piece Size

Firewood dries more quickly when it is split. Large unsplit rounds can take years to dry enough to burn. Even when dried, unsplit logs are difficult to ignite because they don't have the sharp edges where the flames first catch.



Wood should be split to a range of sizes, from about 3" to 6" (75 mm to 150 mm) in cross section. Having a range of sizes makes starting and rekindling fires much easier.

### 3.4 Compressed Wood Logs



Compressed wood logs made of 100% compressed sawdust can be burned with caution in the number of these logs burned at once. Do not burn compressed logs made of wax impregnated sawdust or logs with any chemical additives. Follow the manufacturer's instructions and warnings.

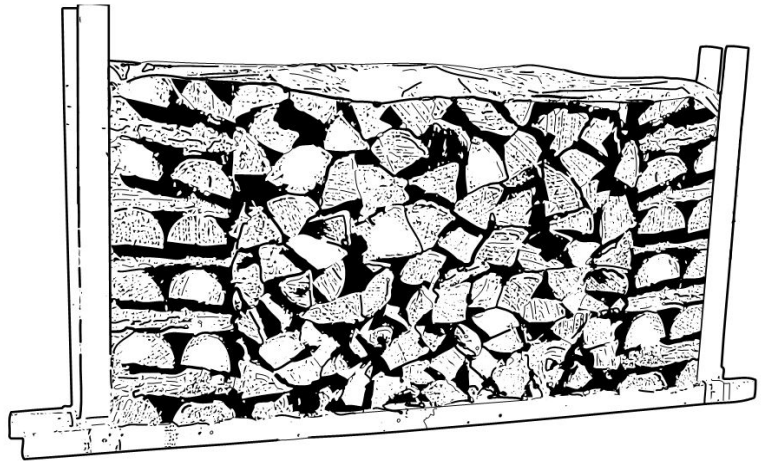
### 3.5 Drying Time

Firewood that is not dry enough to burn is the cause of most complaints about wood burning appliances. Continually burning green or unseasoned wood produces more creosote and involves lack of heat and dirty glass door.

Firewood with a moisture content between 15% and 20% will allow the stove to produce its highest possible efficiency.

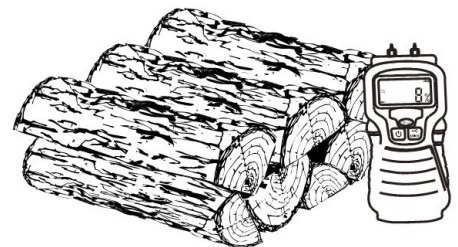
Here are some facts to consider in estimating drying time:

- Firewood bought from a dealer is rarely dry enough to burn, so it is advisable to buy the wood in spring and dry it yourself;
- Drying happens faster in dry weather than in a damp climate;
- Drying happens faster in warm summer weather than in winter weather;
- Split pieces dry more quickly than unsplit rounds;
- Softwoods like pine, spruce, poplar, and aspen take less time to dry than hardwoods. They can be dry enough to burn after being stacked to air dry only for the summer months;
- Hardwoods like oak, maple and ash can take one, or even two years to dry fully, especially if the pieces are big;
- Firewood dries more quickly when stacked outside in a location exposed to sun and wind; it takes much longer to dry when stacked in a wood shed;



Use these guidelines to find out if the firewood is dry enough to burn:

- Cracks form at the ends of logs as they dry;
- The wood turns from white or cream colored to grey or yellow;
- Two pieces of wood struck together sounds hollow;
- Dry wood is much lighter in weight than wet wood,
- The face of a fresh cut feels warm and dry;
- The moisture content read by a moisture meter is between 15% to 20%.





## 4. Stove Operation

**This wood heater has a manufacturer-set minimum low burn rate that must not be altered. It is against federal regulations to alter this setting or otherwise operate this wood heater in a manner inconsistent with operating instructions in this manual.**

*Before using the stove, the following steps should be completed :*

- Top panels installation (See [«Appendix 1: Side Panels Installation»](#))
- Side panels installation (See [«Appendix 2: Top Panels Installation»](#))

*The following step is optional*

- Fresh air intake installation (See [«Appendix 4: Optional Fresh Air Intake Installation»](#))

### 4.1 Pedestal Wood Storage

This appliance has been certified to allow wood log storage in the pedestal, provided the following specifications are met:

- The logs must never exceed the inside edge **(A)** of the pedestal.
- The heat shield **(B)** under the firebox must not be removed.
- No combustible material may be placed over the heat shield **(B)**.

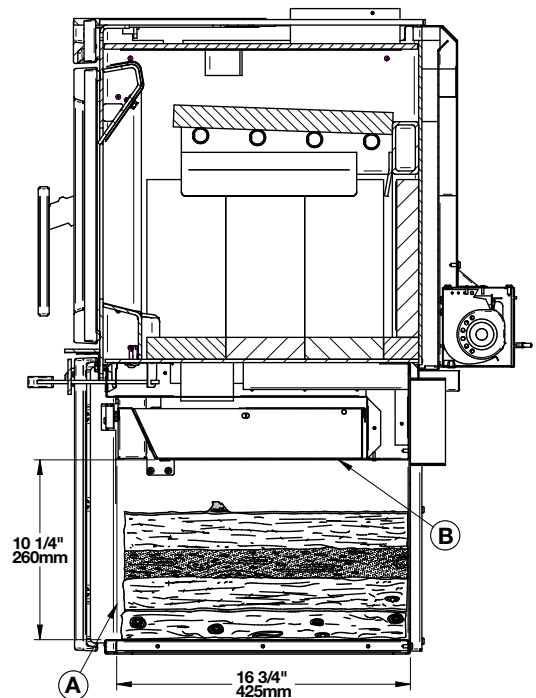


Figure 7: Pedestal wood storage

### 4.2 The Use of a Fire Screen

**In the United States or in provinces with a particulate emission limit (eg US EPA), the use of wood stoves with open door with and fire screen is prohibited.**

This stove has been tested for use with an open door in conjunction with a fire screen, sold separately. Make sure the fire screen is properly secured on the stove to avoid any risk of fire. When the fire screen is in use, it is important not to leave the stove unattended to respond promptly in the event of smoke spillage into the room.

Potential causes of smoke spillage are described in Section [«9. The Venting System»](#), page 38 of this manual. See [«Appendix 5: Optional Fire Screen Installation»](#), page 50 for installation instructions.

## 4.3 Blower Operation

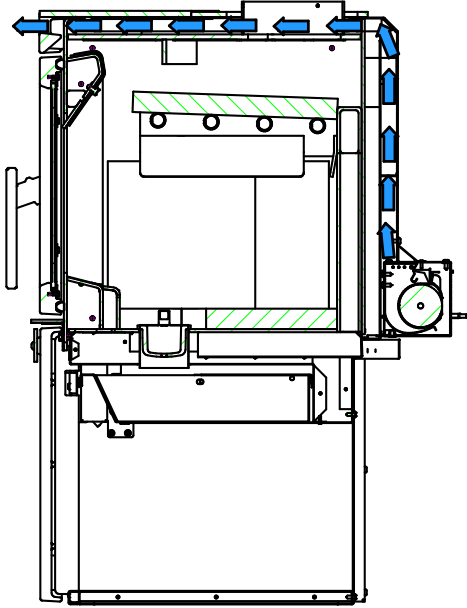


Figure 8: Air flow with a blower

A blower is already installed on this stove. The blower is installed on the back of the stove to increase the airflow through the heat exchanger and improve hot air circulation in the room. When used regularly, the blower can provide a small increase in efficiency, up to 2%. However, the use of a blower should not be used as a way to gain more output from a stove that is undersized for the space it is intended to heat..



Ensure the blower cord is not in contact with any surface of the stove to prevent electrical shock or fire damage. Do not run cord underneath the stove.

The blower has a variable speed control that can be adjusted in three different positions; either from high (HI) to low (LO) or closed (OFF).

Allow the stove to reach operating temperature (approximately one hour) before turning on the blower, since increased airflow from the blower will remove heat and affect the start up combustion efficiency.

The stove is also equipped with a heat sensor (thermodisc). When the blower is on (position between HI and LO), the heat sensor will make the blower start automatically when the stove is hot enough and will stop it when the stove has cooled down. Therefore, the blower variable speed control can be left at the desired setting.

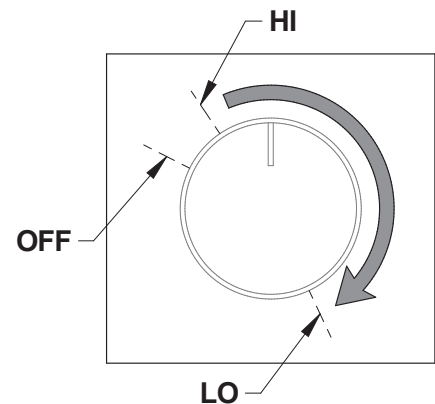


Figure 9: Variable speed control

## 5. Burning Wood Efficiently

### 5.1 First Use

Two things happen when burning the first few fires; the paint cures and the internal components are conditioned. As the paint cures, some of the chemicals vaporize. The vapors are not poisonous, but they smell bad. Fresh paint fumes can also trigger false alarms in smoke detectors. When lighting the heater for the first few times, it may be wise to open doors and windows to ventilate the house.

Burn two or three small fires to begin the curing and conditioning process. Then build bigger and hotter fires until there is no longer paint smell from the stove. As hotter and hotter fires are burned, more of the painted surfaces reach the curing temperature of the paint. The smell of curing paint does not disappear until one or two very hot fires have been burned.

**Never built the fire too close to the glass. It may cause higher temperature and produce a faster aging of the glass.**

## 5.2 Lighting Fires

Each person heating with wood develops its own favorite way to light fires. Regardless of the method chosen, the goal should be to have a hot fire burning, quickly. A fire that ignites fast produces less smoke and deposits less creosote in the chimney.



**Never use gasoline, gasoline-type lantern fuel (naphtha), fuel oil, motor oil, kerosene, charcoal lighter fluid, or similar liquids or aerosols to start or 'freshen up' a fire in this wood stove. Keep all such liquids well away from the stove while it is in use.**

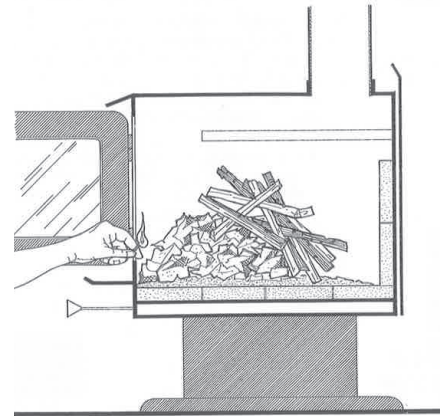
*Here are three popular and effective ways to ignite wood fires.*

### 5.2.1 Conventional Method

The conventional method to build a wood fire is to crumple 5 to 10 sheets of newspaper and place them in the firebox and hold them in place with ten pieces of kindling wood. The kindling should be placed on and behind the newspaper.

Then add two or three small pieces of firewood. Open the air intake control completely and ignite the newspaper. Leave the door slightly ajar.

Once the fire has ignited, the door can be closed but keep the air control still fully open. When the kindling is almost completely burned, standard firewood pieces can be added.



*Do not leave the heater unattended when the door is slightly open. Always close and latch the door after the fire ignites.*

### 5.2.2 The Top Down Method

This method is the opposite of the conventional method and only works properly if well-seasoned wood is used.

Place three or four small, split, dry logs in the firebox. Arrange the kindling wood on the logs in two layers at right angles and place a dozen finely split kindling on the second row.

It is possible to use ragged paper but it may not hold in place since it tends to roll while it is burning. The best is to wrap a sheet on itself, grab the ends of the roll and make a knot. Use four or five sheets of paper tied together and put them on top and around the kindling. Open the air intake control completely, ignite the paper and close the door.

The top down fire method has two advantages over the traditional method: first, the fire does not collapse on itself, and it is not necessary to add wood gradually since the combustion chamber is full before the fire is lit.

### 5.2.3 Two Parallel Logs

Place two spit logs in the firebox with a few sheets of twisted newspaper between the logs. Place some fine kindling across the two logs and some larger kindling across those, log cabin style. Light the newspaper.

### 5.2.4 Using Fire Starters

Commercial fire starters can be used instead of a newspaper. Always follow the instructions on the packaging before use.

**DO NOT USE CHEMICALS OR FLUID TO START THE FIRE.**

**NEVER USE GEL STARTER IF THERE ARE HOT EMBERS INSIDE THE FIREBOX. THE BOTTLE OF GEL WILL CATCH ON FIRE.**

## 5.3 Combustion Cycles

Wood heating with a space heater is very different than other forms of heating. There will be temperature variations in different parts of the house and there will be temperature variations throughout day and night. This is normal, and for experienced users of wood heating, these are advantages of zone heating.

Wood heaters don't have a steady heat output. It is normal for the temperature to rise after a new load of wood is ignited and for its temperature to gradually decrease throughout the burning cycle. This increasing and decreasing temperature can be matched with the household routines. For example, the temperature in the area can be cooler when the household is active, and it can be warmer when it is inactive.

A cycle begins when a new load of wood is ignited by the hot embers and ends when it is consumed and only remains embers the size of those found in the firebox when the wood has been added.

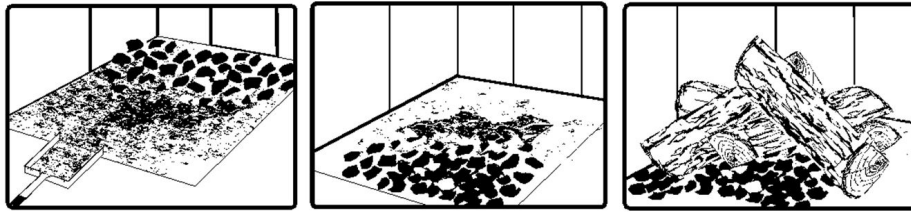
Trying to produce a steady heat output by placing a single log on the fire at regular intervals is not recommended. Always place at least three, and preferably more pieces on the fire at a time so that the heat radiated from one piece helps to ignite the pieces next to it. Each load of wood should provide several hours of heating. The size of each load may vary depending on the amount of heat required.

Burning in cycles means the loading door does not need to be opened while the wood is flaming. This is an advantage since it is preventing smoke leaking from the heater when the door is opened as a full fire is burning. This is especially true if the chimney is on the outside wall of the house.

*If the door must be opened while the fire is flaming, fully open air control for a few minutes then open the door slowly.*

## 5.4 Rekindling a Fire

When the temperature of the room is lower and all that remains is embers, it is time to reload. Remove excess ash from the front of the firebox and bring the ashes forward. Place a new load of wood on, and at the back of the embers, not too close to the glass. Open the air control completely and close the door.



Raking the coals is useful for two reasons. First, it brings them near where most of the combustion air enters the firebox. This will ignite the new load quickly. Secondly, the charcoal will not be smothered by the new load of wood. When the embers are simply spread inside the combustion chamber, the new load smoulder for a long time before igniting.

Close the air control only when the firebox is full of bright turbulent flames, the wood is charred, and its edges are glowing.

*The heater should not be left unattended during ignition and the fire should not burn at full intensity for more than a few minutes.*

When lighting a new load, the appliance produces a heat surge. This heat surge is pleasant when the room temperature is cool but can be unpleasant when the room is already warm. Therefore, it is best to let each load of wood burn completely so that the room cools down before putting a new load of wood.

Do not overfire the unit. The signs of an overfired unit are a roaring fire, the chimney connector is glowing red and an extreme heat coming from the cookstove. If this occurs, **DO NOT OPEN THE DOOR**. Shut-off the air inlet opening completely and wait until the glow has completely subsided.

## 5.5 Removing Ashes

Ash should be removed from the firebox every two to three days of full time heating. Ash should not accumulate excessively in the firebox since it will affect the proper operation of the appliance.

The best time to remove ash is in the morning, after an overnight fire when the heater is relatively cold, but there is still a little chimney draft to draw the ash dust into the heater and prevent going out into the room.

*Ashes should be placed in a tightly covered metal container. The container must be placed on a non-combustible floor or on the ground well away from all combustible materials. Ashes almost always contain live embers that can stay hot for days. If the ashes are disposed of by burial in soil or otherwise locally dispersed, they should be kept in a closed metal container until they are completely cooled. No other waste should be placed in this container.*



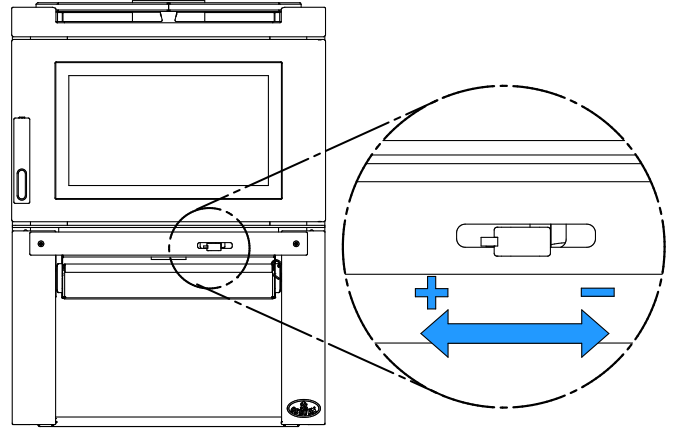
**NEVER STORE ASHES INDOORS OR IN A NON-METALLIC CONTAINER OR ON A WOODEN DECK.**

## 5.6 Air Intake Control

Once the firewood, firebox and chimney are hot, air intake can be reduced to achieve a steady burn.

As the air intake is reduced, the burn rate decreases. This has the effect of distributing the thermal energy of the fuel over a longer period of time. In addition, the flow rate of exhaust through the appliance and flue pipe slows down, which increases the duration of the energy transfer of the exhaust gases. As the air intake is reduced, the flame slows down.

If the flames diminish to the point of disappearing, the air intake has been reduced too early in the combustion cycle or the wood used is too wet. If the wood is dry and the air control is used properly, the flames should decrease, but remain bright and stable.



On the other hand, too much air can make the fire uncontrollable, creating very high temperatures in the unit as well as in the chimney and seriously damaging them. A reddish glow on the unit and on the chimney components indicates overheating. Excessive temperatures can cause a chimney fire.

## 5.7 Fire Types

Using the air intake control is not the only way to match the appliance heat output to the desired temperature in the house. A house will need far less heating in October than in January to maintain a comfortable temperature. Filling the firebox full in fall weather will overheat the space. The combustion rate will have to be reduced to a minimum and the fire will be smoky and inefficient.

*Here are some suggestions for building fires suitable for different heating needs:*

### 5.7.1 Flash Fire

To build a small fire that will produce a low heat output, use small pieces of firewood and load them crisscross in the firebox. The pieces should only be 3" (76 mm) to 4" (102 mm) in diameter. After raking the coals, lay two pieces parallel to each other diagonally in the firebox and lay two more across them in the other direction. Open the air control fully and only reduce the air after the wood is fully flaming. This kind of fire is good for mild weather and should provide enough heat for up to four hours. Small fires like this are a good time to use softer wood species and avoid overheating the house.

### 5.7.2 Long Lasting Fire

For a fire that will last up to eight hours but will not produce intense heat, use soft wood and place the logs compactly in the firebox. Before reducing the air intake, the load will have to burn at full heat for long enough for charring the surface of the logs. The flame must be bright before letting the fire burn by itself.

### 5.7.3 High Output Fires

When heating needs are high during cold weather, the fire should burn steadily and brightly. This is the time to use larger pieces of hardwood. Place the biggest pieces at the back of the firebox and place the rest of the pieces compactly. A densely built fire like this will produce the longest combustion this stove is capable of. Special attention must be paid when building fires like this since if the air intake is reduced too quickly, the fire could smoulder. The wood must be flaming brightly before leaving the fire to burn.

### 5.7.4 Burn Cycle Time

The burn cycle time is the period between loading wood on a coal bed and the consumption of that wood back to a coal bed of the same size. The flaming phase of the fire lasts for roughly the first half of the burn cycle and the second half is the coal bed phase during which there is little or no flame.

The burning time expected from this stove, including both phases, will vary depending on a number of things, such as:

- firebox size,
- the amount of wood loaded,
- the species of wood,
- the wood moisture content,
- the size of the space to be heated,
- the climate zone where the house is, and
- the time of the year.

The table below gives an approximate burn cycle time, based on firebox volume.

**Table 1 : Approximate Burn Cycle Time**

| FIREBOX VOLUME       | BURN CYCLE TIME |
|----------------------|-----------------|
| <1.5 cubic feet      | 3 to 5 hours    |
| 1.5 c.f. to 2.0 c.f  | 5 to 6 hours    |
| 2.0 c.f. to 2.5 c.f. | 6 to 8 hours    |
| 2.5 c.f. to 3.0 c.f. | 8 to 9 hours    |
| >3.0 c.f.            | 9 to 10 hours   |

A longer burning time is not necessarily an indication of efficient operation. It is preferable to build a smaller fire that will provide three or four hours of heating than to fully load the firebox for a much longer burn. Shorter burn cycles make it easier to match the heat output of the stove to heat demand for space.

### 5.7.5 Logs Orientation

In a relatively square firebox, the wood can be loaded north-south (ends of the logs visible) or east-west (sides of the logs visible). North-south loads allow more wood to be loaded at the same time. On the other hand, they break into smaller pieces faster. North-south loading is good for high output, long lasting fires for cold weather. East-west loads allow a limited amount of wood since too many logs could cause them to fall on the glass. East-west loads, placed in a compact way, take a long time before breaking down. They are excellent for low-intensity, long-lasting fires in relatively mild weather.

### 5.7.6 Carbon Monoxide

Carbon monoxide is an odourless gas that is highly toxic which can cause death at high concentration in air. Installation of a carbon monoxide detector is highly recommended.

When unburned logs remain in the firebox and the flame disappears, go outside and look at the chimney exit. If there is visible smoke, it means that there is still combustible to burn but that the fire lacks air to burn properly. In this situation, the CO rate will increase so it is important to react. Open the door slightly and move the log with a poker. Turn it over and create a passage for the air below, making a trench with the coal bed. Add small pieces of wood to restart the combustion.

## 6. Maintenance

This heater will give many years of reliable service if used and maintained properly. Internal components of the firebox such as firebricks or refractory panels, baffle and air tubes will wear over time. Defective parts should always be replaced with original parts.

To avoid premature deterioration, follow the lighting and reloading procedures in section [«5. Burning Wood Efficiently»](#) and avoid letting the heater run with the air intake fully open for entire burn cycles.

### 6.1 Cleaning and Painting

Painted and plated surfaces can be wiped down with a soft, damp cloth. If the paint is scratched or damaged, it is possible to repaint the heater with a heat-resistant paint. **Do not clean or paint the appliance when it is hot.** Before painting, the surface should be sanded lightly with sandpaper and then wiped off to remove dust. Apply two thin layers of paint.

### 6.2 Refractory Materials and Baffle

Inspect the firebricks or the refractory panels and the baffle for damage periodically and replace anything that is broken.

*Operation of the heater with a cracked or missing baffle may cause unsafe temperatures and hazardous conditions and will void the warranty.*

### 6.3 Glass Door

#### 6.3.1 Cleaning

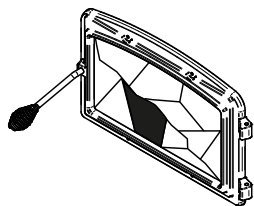
Under normal conditions, the door glass should stay relatively clear. If the firewood is dry enough and the operating instructions in this manual are followed, a whitish, dusty deposit will form on the inner surface of the glass after a week or so of use. This is normal and can be easily removed when the heater is cold by wiping with a damp cloth or paper towel and then drying.

When the stove runs at a low combustion rate, light brown stains may form, especially in the lower corners of the glass. This indicates that the fire has been smoky and some of the smoke has condensed on the glass. It also indicates incomplete combustion of the wood, which also means more smoke emissions and faster formation of creosote in the chimney.

The deposits that form on the glass are the best indication of the fuel quality and success in properly using the stove. These stains can be cleaned with a special wood stove glass cleaner. **Do not use abrasive products to clean the glass.**



The goal should be having a clear glass with no brown stains. If brown stains appear regularly on the glass, something about the fuel or the operating procedure needs to be changed. When brown streaks are coming from the edge of the glass, it is time to replace the gasket around the glass. The glass gasket should be self-adhesive. Always replace the gasket with a genuine one.



**Do not clean the glass when the stove is hot.**

**Do not abuse the glass door by striking or slamming shut.**

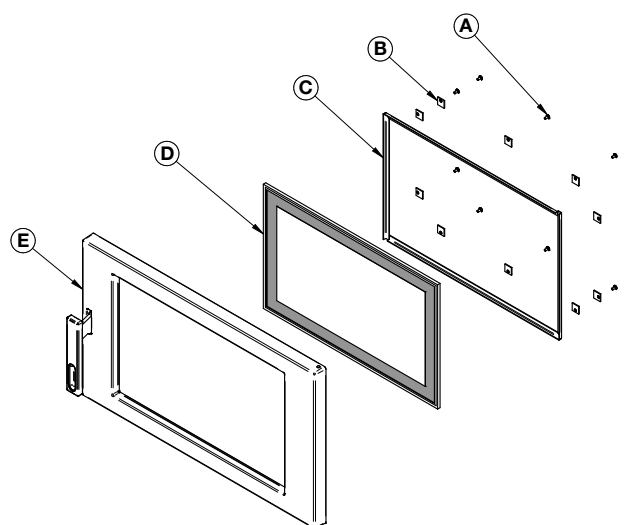
**Do not use the stove if the glass is broken.**

### 6.3.2 Replacement

The glass used is a ceramic glass, 5/32" (4 mm) thick, tested to reach temperatures up to 1400 °F. The dimensions of the glass are 20 1/8" x 12 3/8". If the glass breaks, it must be replaced by a ceramic glass from SCHOTT with the same specification. Contact your dealer to obtain a genuine replacement part.

To remove or replace the glass:

1. Remove the door **(E)** from its hinges and lay it on a soft, flat surface.
2. Remove the ten screws **(A)**, the ten glass retainers **(B)**, and the metal frames **(C)**.
3. Remove the glass **(D)**. If it is damaged install a new one in place. The replacement glass must have a gasket all around.
4. Reinstall the glass, being careful to centre the glass in the door and not to over-tightening the retaining screw.

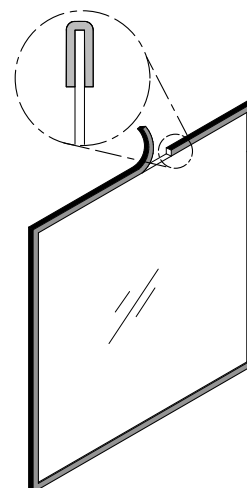


*The two main causes of broken glass door are uneven placement in the door and over-tightening the retaining screws.*

### 6.3.3 Gasket

The glass gasket is flat, adhesive-backed, woven fibreglass.

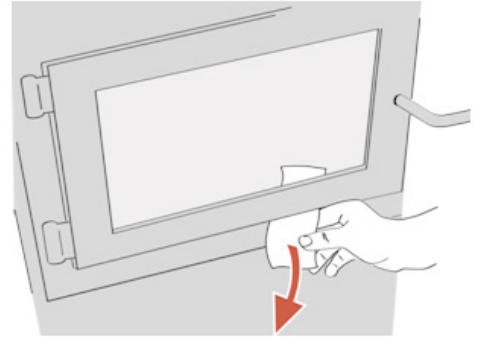
1. Follow the steps of the previous section to remove the glass. Remove the old gasket and clean the glass thoroughly.
2. Peel back a section of the paper covering the adhesive and place the gasket on a table with the adhesive side up.
3. Stick the end of the gasket to the middle of one edge, then press the edge of the glass down onto the gasket, taking care that it is perfectly centred on the gasket.
4. Peel off more of the backing and rotate the glass. The gasket must not be stretched during installation. Cut the gasket to the required length. Pinch the gasket onto the glass in a U-shape, all around the glass.



*By following these instructions, the edge clearances are maintain.*

## 6.4 Door

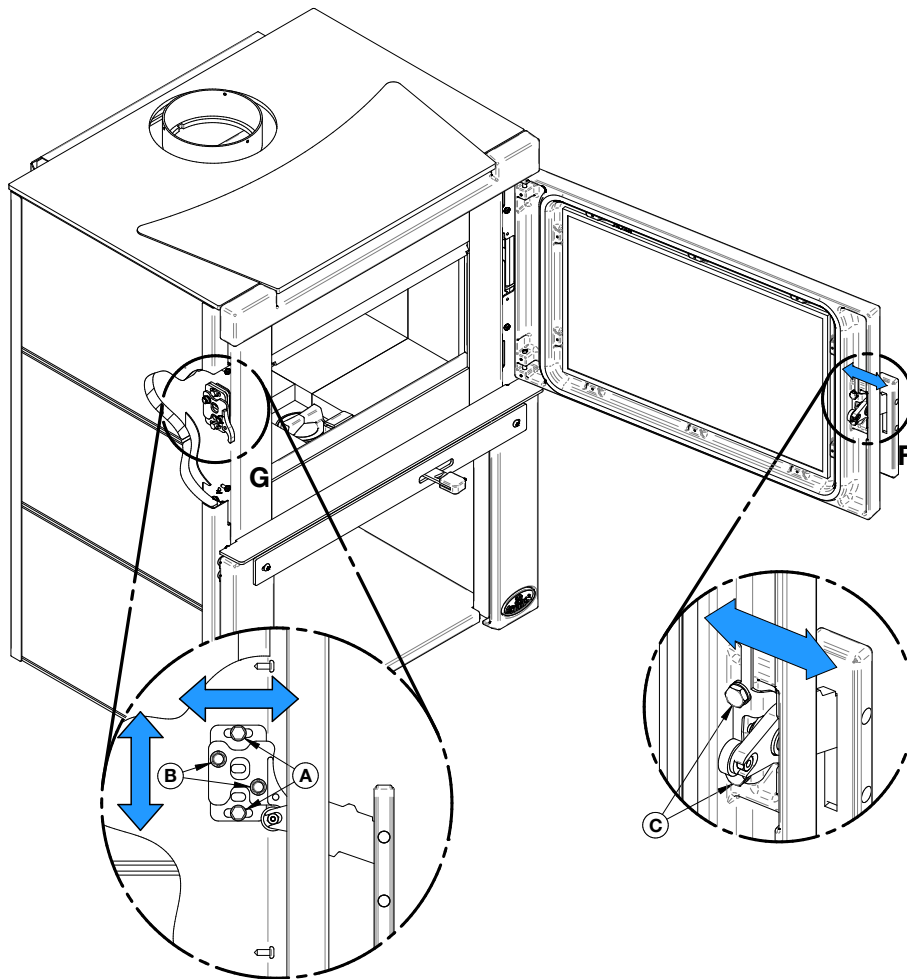
In order for the stove to burn at its best efficiency, the door must provide a perfect seal with the firebox. The tightness of the door seal can be verified by closing and latching the door on a strip of paper. The test must be performed all around the door. If the paper slips out easily anywhere, either adjust the door or replace the gasket.



### 6.4.1 Adjustment

To facilitate access to the door lock mechanism, the decorative panels on the left side of the appliance should be removed (see «[Appendix 1: Side Panels Installation](#)»). Otherwise, the bolts are accessible with an open wrench 3/8".

Unscrew the top and bottom bolts **(A)** to adjust the depth of the lock, the tension on the door and on the gasket. Unscrew the left and right bolts **(B)** to adjust the angle of the door handle. Unscrew the bolts on the door handle **(C)** to align the ball bearing with the handle.



### 6.4.2 Gasket

It is important to replace the gasket with another having the same diameter and density to maintain a good seal.

1. Remove the door and place it face-down on something soft like a cushion of rags or a piece of carpet.
2. Remove the old gasket from the door. Use a screwdriver to scrape the old gasket adhesive from the door gasket groove.
3. Apply a bead of approximately 3/16" (5 mm) of high temperature silicone in the door gasket groove. Starting from the middle, hinges side, press the gasket into the groove. The gasket must not be stretched during installation.
4. Leave about 1/2" long of the gasket when cutting and press the end into the groove. Tuck any loose fibers under the gasket and into the silicone. Close the door. Do not use the stove for 24 hours.

## 6.5 Exhaust System

Wood smoke can condense inside the chimney, forming a inflammable deposit called creosote. If creosote builds up in the system, it can ignite when a hot fire is burned in the stove. A very hot fire can progress to the top of the chimney. Severe chimney fires can damage even the best chimneys. Smouldering, smoky fires can quickly cause a thick layer of creosote to form. When the stove is operated properly, the exhaust from the chimney is mostly clear and creosote builds up more slowly.

### «Creosote - Formation and Need to Removal

*When wood is burned slowly, it produces tar and other organic vapors, which combine with expelled moisture to form creosote. The creosote vapors condense in the relatively cooler chimney flue of a slow-burning fire. As a result, creosote residue accumulates on the flue lining. When ignited this creosote makes an extremely hot fire.*

*The chimney connector and chimney should be inspected at least once every two months during the heating season to determine if a creosote buildup has occurred. The presence in a chimney of soot or creosote in excess of 1/8" (3 mm) thick will indicate the need for immediate cleaning, possible modification of burning procedures, and more frequent inspections.»*

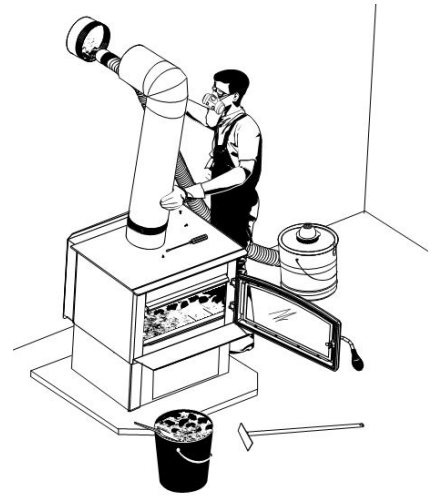
## 6.6 Frequency

It is not possible to predict how much or how quickly creosote will form in the chimney. It is important, therefore, to check the build-up in the chimney monthly until the rate of creosote formation is determined. Even if creosote forms slowly in the system, the chimney should be cleaned and inspected at least once each year.

Establish a routine for the fuel, wood burner and firing technique. Check daily for creosote build-up until experience shows how often you need to clean to be safe. Be aware that the hotter the fire the less creosote is deposited, and weekly cleaning may be necessary in mild weather even though monthly cleaning may be enough in the coldest months. Contact your local municipal or provincial fire authority for information on how to handle a chimney fire. Have a clearly understood plan to handle a chimney fire.

### 6.6.1 Sweeping the Chimney

Chimney sweeping can be a difficult and dangerous job. People with no chimney sweeping experience will often prefer to hire a professional chimney sweep to inspect and clean the system for the first time. After seeing the cleaning process, some will choose to do it themselves. The chimney should be checked regularly for creosote build-up. Inspection and cleaning of the chimney can be facilitated by removing the baffle. See [«Appendix 7: Air Tubes and Baffle Installation»](#) for more details.



### 6.6.2 Chimney Fire

Regular chimney maintenance and inspection can prevent chimney fires. If you have a chimney fire, follow these steps:

1. Close the stove door and the air intake control;
2. Alert the occupants of the house of the possible danger;
3. If you require assistance, alert the fire department;
4. If possible, use a dry chemical fire extinguisher, baking soda or sand to control the fire. Do not use water as it may cause a dangerous steam explosion;

**Do not use the appliance again until the stove and its chimney have been inspected by a qualified chimney sweep or a fire department inspector.**

## PART B - INSTALLATION

### 7. Safety Information and Standards

- The information given on the certification label affixed to the appliance always overrides the information published, in any other media (owner's manual, catalogues, flyers, magazines and web sites).
- Mixing of appliance components from different sources or modifying components may result in hazardous conditions. Where any such changes are planned, the manufacturer should be contacted in advance.
- Any modification of the appliance that has not been approved in writing by the testing authority violates CSA B365 (Canada), and ANSI NFPA 211 (USA).
- **CAUTION : DO NOT CONNECT TO OR USE IN CONJUNCTION WITH ANY AIR DISTRIBUTION DUCTWORK UNLESS SPECIFICALLY APPROVED FOR SUCH INSTALLATION.**
- **CAUTION : DO NOT CONNECT THIS UNIT TO A CHIMNEY FLUE SERVING ANOTHER APPLIANCE.**
- Connect this stove only to a listed factory-built chimney for use with solid fuel or to a lined masonry chimney conforming to national and local building codes.
- If necessary, a supply of combustion air can be provided to the room.
- This stove must be installed as a free-standing heater with the clearances listed in the manufacturer's installation instructions. It is strictly forbidden to install this stove in a factory-built fireplace.
- **NOTE: DO NOT INSTALL THE CHIMNEY DIRECTLY AT THE OUTLET OF THE APPLIANCE. A CHIMNEY CONNECTOR (FLUE PIPE) IS REQUIRED UNLESS THE APPLIANCE IS SPECIFICALLY APPROVED FOR THAT TYPE OF INSTALLATION.**

#### 7.1 Mobile Home

- This stove can be installed in a mobile home. The installation requires a fresh air kit, sold separately.
- **WARNING : DO NOT INSTALL IN SLEEPING ROOM.**
- **THE STOVE MUST BE ATTACHED TO THE STRUCTURE OF THE MOBILE HOME.**
- **CAUTION : THE STRUCTURAL INTEGRITY OF THE MOBILE HOME FLOOR, WALL, CEILING AND ROOF MUST BE MAINTAINED.**

#### 7.2 Regulations Covering Stove Installation

When installed and operated as described in these instructions, this wood stove is suitable for use as a freestanding heater in residential installations.

In Canada, the CSA B365 Installation Code for Solid Fuel Burning Appliances and Equipment and the CSA C22.1 Canadian National Electrical Code are to be followed in the absence of local code requirements. In the USA, the ANSI NFPA 211 Standard for Chimneys, Fireplaces, Vents and Solid Fuel-Burning Appliances and the ANSI NFPA 70 National Electrical Code are to be followed in the absence of local code requirements.

This stove must be connected to a chimney complying with the requirements for Type HT

chimneys in the Standard for Factory-Built Chimneys for Residential Type and Building Heating Appliances, UL 103 and ULC S629 or to a code-approved masonry chimney with a flue liner.

### 7.3 Location of the Certification Label

Since the information given on the certification label affixed to the appliance always overrides the information published, in any other media (owner's manual, catalogues, flyers, magazines and web sites) it is important to refer to it in order to have a safe and compliant installation. In addition, you will find information about your stove (model, serial number, etc.). The certification label can be found on the back of the stove.

It is recommended to note the stove serial number on [page 5](#) of this manual since it will be needed to precisely identify the version of the appliance in the event replacement parts or technical assistance is needed.

## 8. Clearances

The clearances shown in this section have been determined by test according to procedures set out in safety standards ULC S627 (Canada), UL 1482 (U.S.A.) and UL 737 (U.S.A.). When the stove is installed so that its surfaces are at or beyond the minimum clearances specified, combustible surfaces will not overheat under normal and even abnormal operating conditions.

**No part of the stove or flue pipe may be located closer to combustibles than the minimum clearance figures given.**

**Clearances may only be reduced by means approved by the regulatory authority.**

### 8.1 Combustible Materials

The clearances to combustible walls may be slightly different in Canada and the U.S.A. and may also differ depending on whether single or double wall flue pipe is used. Make sure to choose the correct clearance for the stove location and type of flue pipe.

The clearances of the appliance and the flue pipes must be met individually, meaning the appliance can not be installed closer to the combustible materials than the single or double wall pipe allows. For a safe way to reduce clearances refer to section [»Reducing Wall and Ceiling Clearances Safely»](#)

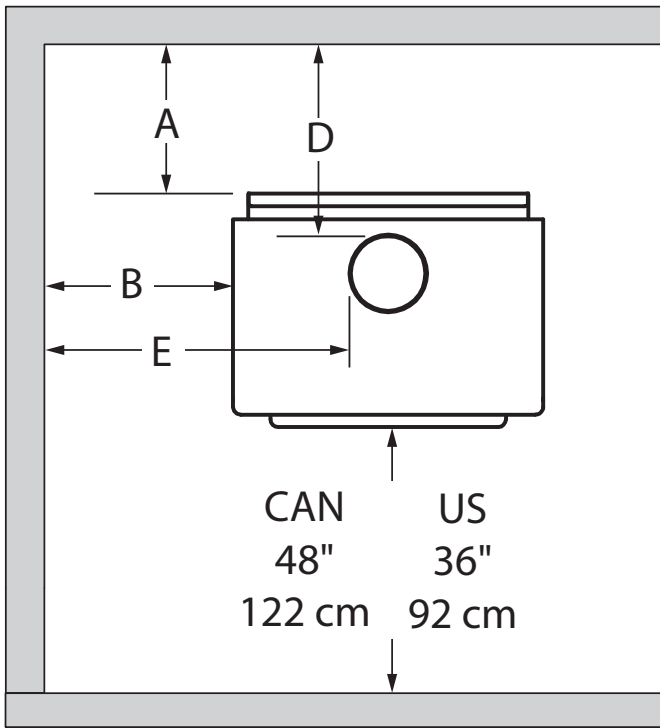


Figure 10: Clearances - Top

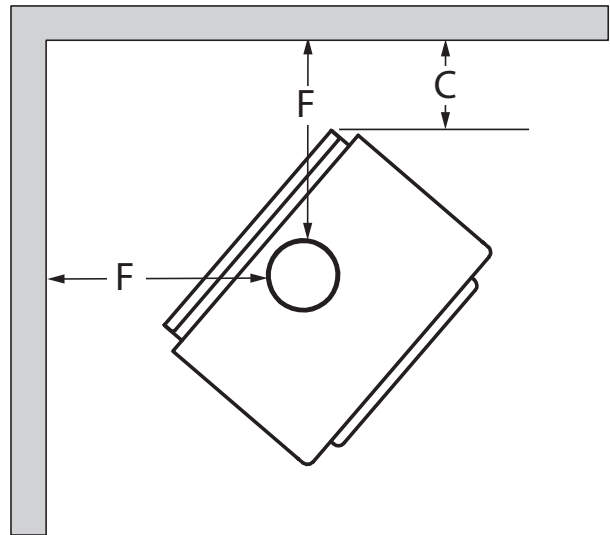


Figure 11: Clearances - Corner

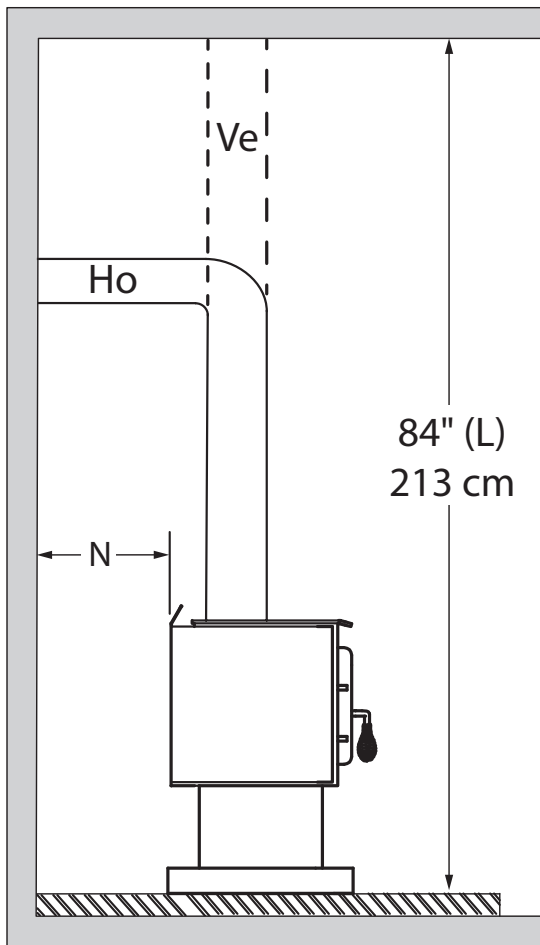


Figure 12: Clearances - Side

|          | APPLIANCE CLEARANCES WITH SINGLE WALL PIPE CONNECTOR |              |
|----------|--|--------------|
|          | Canada   | USA          |
| <b>A</b> | 14 ½" (368 mm)                                       | 11" (279 mm) |
| <b>B</b> | 17" (432 mm)   | 16" (406 mm) |
| <b>C</b> | 10" (254 mm)   | 10" (254 mm) |

|          | APPLIANCE CLEARANCES WITH DOUBLE WALL PIPE CONNECTOR |              |
|----------|--|--------------|
|          | Canada   | USA          |
| <b>A</b> | 6" (152 mm)  | 6" (152 mm)  |
| <b>B</b> | 17" (432 mm)   | 16" (406 mm) |
| <b>C</b> | 7" (178 mm)  | 7" (178 mm)  |

If the above clearances are met, then the distances measured from the flue outlet will be:

|          | DISTANCES <sup>15</sup> FROM PIPE CONNECTOR WITH SINGLE WALL PIPE CONNECTOR |                |
|----------|---|----------------|
|          | Canada  | USA            |
| <b>D</b> | 18" (457 mm)  | 14 ½" (368 mm) |
| <b>E</b> | 26 ½" (673 mm)  | 25 ½" (648 mm) |
| <b>F</b> | 19 ¾" (502 mm)  | 19 ¾" (502 mm) |

|          | DISTANCES <sup>13</sup> FROM PIPE CONNECTOR WITH DOUBLE WALL PIPE CONNECTOR |                |
|----------|---|----------------|
|          | Canada  | USA            |
| <b>D</b> | 9 ¼" (235 mm)   | 9 ¼" (235 mm)  |
| <b>E</b> | 26 ¼" (667 mm)  | 25 ¼" (641 mm) |
| <b>F</b> | 16 ½" (419 mm)  | 16 ½" (419 mm) |

### 8.1.1 Clearances with heat shield AC02710<sup>16</sup>

|          | APPLIANCE CLEARANCES WITH DOUBLE WALL PIPE CONNECTOR |             |
|----------|--|-------------|
|          | Canada   | USA         |
| <b>A</b> | 3" (76 mm)   | 3" (76 mm)  |
| <b>B</b> | 4" (102 mm)  | 4" (102 mm) |
| <b>C</b> | 3" (76 mm)   | 3" (76 mm)  |

|          | DISTANCES <sup>13</sup> FROM DOUBLE WALL PIPE CONNECTOR |                |
|----------|---|----------------|
|          | Canada  | USA            |
| <b>D</b> | 6 ¼" (159 mm)   | 6 ¼" (159 mm)  |
| <b>E</b> | 13 ¼" (337 mm)  | 13 ¼" (337 mm) |
| <b>F</b> | 12 ½" (318 mm)  | 12 ½" (318 mm) |

### 8.1.2 Clearances With Lowered Ceiling

|          | APPLIANCE CLEARANCES WITH SINGLE WALL PIPE CONNECTOR |              |
|----------|--|--------------|
|          | Canada   | USA          |
| <b>A</b> | 14 ½" (368 mm)                                       | 11" (279 mm) |
| <b>B</b> | 19" (483 mm)   | 18" (457 mm) |
| <b>C</b> | 10" (254 mm)   | 10" (254 mm) |
| <b>L</b> | 77" (196 cm)   | 77" (196 cm) |

|          | APPLIANCE CLEARANCES WITH DOUBLE WALL PIPE CONNECTOR |              |
|----------|--|--------------|
|          | Canada   | USA          |
| <b>A</b> | 9" (229 mm)  | 9" (229 mm)  |
| <b>B</b> | 19" (483 mm)   | 19" (483 mm) |
| <b>C</b> | 7" (178 mm)  | 7" (178 mm)  |
| <b>L</b> | 77" (196 cm)   | 77" (196 cm) |

<sup>15</sup> The pipe distances listed in this table refer to the distances obtained when the stove is installed in accordance with the appliance clearances above mentioned.

<sup>16</sup> Note that to reduce the clearances of an appliance using a single wall pipe connector, the use of a heat shield certified with the single wall pipe connector to be used as close as 6" from combustible materials must be used. Only in this case, the same clearances as a certified double wall pipe connector can be used.



If the above clearances are met, then the distances measured from the flue outlet will be:

|          | DISTANCES <sup>15</sup> FROM PIPE CONNECTOR WITH SINGLE WALL PIPE CONNECTOR |                |
|----------|---|----------------|
|          | Canada  | USA            |
| <b>D</b> | 18" (457 mm)  | 14 ½" (368 mm) |
| <b>E</b> | 28 ½" (724 mm)  | 27 ½" (699 mm) |
| <b>F</b> | 19 ¾" (502 mm)  | 19 ¾" (502 mm) |

|          | DISTANCES <sup>17</sup> FROM PIPE CONNECTOR WITH DOUBLE WALL PIPE CONNECTOR |                |
|----------|---|----------------|
|          | Canada  | USA            |
| <b>D</b> | 12 ¼" (311 mm)  | 12 ¼" (311 mm) |
| <b>E</b> | 28 ¼" (718 mm)  | 28 ¼" (718 mm) |
| <b>F</b> | 16 ½" (419 mm)  | 16 ½" (419 mm) |

### 8.1.3 Clearances with heat shield (AC02710) and Lowered Ceiling<sup>18</sup>

|          | APPLIANCE CLEARANCES WITH DOUBLE WALL PIPE CONNECTOR |              |
|----------|--|--------------|
|          | Canada   | USA          |
| <b>A</b> | 5" (127 mm)  | 5" (127 mm)  |
| <b>B</b> | 6" (152 mm)  | 6" (152 mm)  |
| <b>C</b> | 5" (127 mm)  | 5" (127 mm)  |
| <b>L</b> | 80" (203 cm)   | 80" (203 cm) |

|          | DISTANCES <sup>15</sup> FROM DOUBLE WALL PIPE CONNECTOR |                |
|----------|---|----------------|
|          | Canada  | USA            |
| <b>D</b> | 8 ¼" (210 mm)   | 8 ¼" (210 mm)  |
| <b>E</b> | 15 ¼" (387 mm)  | 15 ¼" (387 mm) |
| <b>F</b> | 14 ½" (368 mm)  | 14 ½" (368 mm) |

ENGLISH

### 8.1.4 Clearances in an alcove

|          | APPLIANCE CLEARANCES WITH DOUBLE WALL PIPE CONNECTOR |              |
|----------|--|--------------|
|          | Canada   | USA          |
| <b>A</b> | 9" (229 mm)  | 9" (229 mm)  |
| <b>B</b> | 19" (483 mm)   | 19" (483 mm) |
| <b>L</b> | 77" (196 cm)   | 77" (196 cm) |

|          | DISTANCES FROM PIPE CONNECTOR WITH DOUBLE WALL PIPE CONNECTOR |                |
|----------|---|----------------|
|          | Canada  | USA            |
| <b>D</b> | 12 ¼" (311 mm)  | 12 ¼" (311 mm) |
| <b>E</b> | 28 ¼" (718 mm)  | 28 ¼" (718 mm) |

### 8.1.5 Clearances For Mobile Homes

It is strictly **forbidden** to install a unit with **single wall pipe** in a **mobile home**.

|          | MOBILE HOME CLEARANCES WITH DOUBLE WALL PIPE CONNECTOR |              |
|----------|--|--------------|
|          | Canada   | USA          |
| <b>A</b> | 11" (279 mm)   | 11" (279 mm) |
| <b>B</b> | 18" (457 mm)   | 18" (457 mm) |
| <b>C</b> | 11" (279 mm)   | 11" (279 mm) |

|          | DISTANCES <sup>3</sup> FROM PIPE CONNECTOR WITH DOUBLE WALL PIPE CONNECTOR |                |
|----------|--|----------------|
|          | Canada   | USA            |
| <b>D</b> | 14 ¼" (362 mm)   | 14 ¼" (362 mm) |
| <b>E</b> | 27 ¼" (692 mm)   | 27 ¼" (692 mm) |
| <b>F</b> | 20 ½" (521 mm)   | 20 ½" (521 mm) |

<sup>17</sup> The pipe distances listed in this table refer to the distances obtained when the stove is installed in accordance with the appliance clearances above mentioned.

<sup>18</sup> Note that to reduce the clearances of an appliance using a single wall pipe connector, the use of a heat shield certified with the single wall pipe connector to be used as close as 6" from combustible materials must be used. Only in this case, the same clearances as a certified double wall pipe connector can be used.

8.1.6 Clearances with heat shield AC02710 in a mobile home

|          | MOBILE HOME CLEARANCES WITH DOUBLE WALL PIPE CONNECTOR |             |
|----------|--|-------------|
|          | Canada   | USA         |
| <b>A</b> | 3" (76 mm)   | 3" (76 mm)  |
| <b>B</b> | 6" (152 mm)  | 6" (152 mm) |
| <b>C</b> | 3" (76 mm)   | 3" (76 mm)  |

|          | DISTANCES <sup>3</sup> FROM PIPE CONNECTOR WITH DOUBLE WALL PIPE CONNECTOR |                |
|----------|--|----------------|
|          | Canada   | USA            |
| <b>D</b> | 6 ¼" (159 mm)  | 6 ¼" (159 mm)  |
| <b>E</b> | 15 ¼" (387 mm)   | 15 ¼" (387 mm) |
| <b>F</b> | 12 ½" (318 mm)   | 12 ½" (318 mm) |

ENGLISH

## 8.2 Floor Protector

This stove is designed to prevent the floor from overheating. However, it must be placed on a non-flammable surface to protect the floor from hot embers that may fall during loading. The floor protection must be a continuous, non combustible material, such as steel with a minimum thickness of 0.015" (0.38 mm) or ceramic tiles sealed together with grout. Cement board, brick, or any other approved or listed material suited for floor protection. No R factor is required. Any type of tile will require a continuous non combustible sheet underneath to prevent the possibility of embers falling through to the combustible floor if cracks or separation should occur in the finished surface. Check local codes for approved alternatives. No protection is required if the unit is installed on a non-combustible floor (ex: concrete).

**Table 2 : Floor Protection**

|                       | FLOOR PROTECTION               |                                |
|-----------------------|--------------------------------|--------------------------------|
|                       | Canada <sup>19</sup>           | USA                            |
| <b>G<sup>20</sup></b> | 8" (203 mm)                    | N/A                            |
| <b>H</b>              | 8" (203 mm)                    | N/A                            |
| <b>I</b>              | 18" (457 mm) From door opening | 16" (406 mm) From door opening |
| <b>J</b>              | N/A                            | 8" (203 mm)                    |
| <b>N<sup>21</sup></b> | N/A                            | Note 21                        |

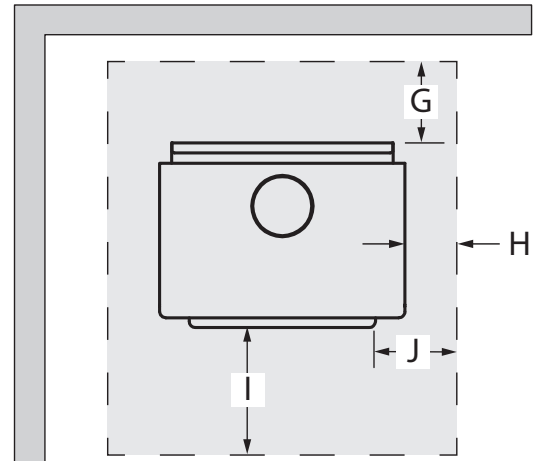
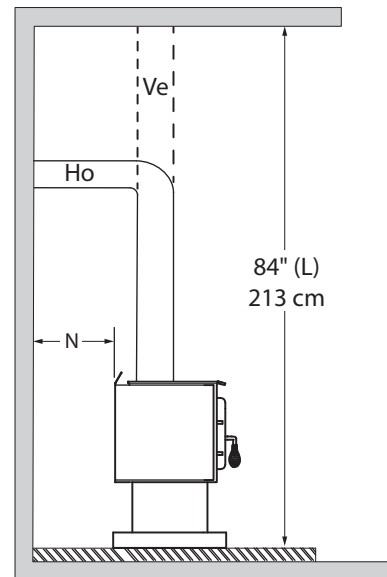


Figure 13: Floor Protection



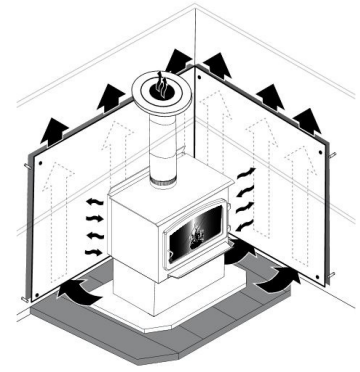
<sup>19</sup> In Canada, to comply with CSA B365, Installation Code for Solid-Fuel-Burning Appliances and Equipment, any combustible covering beneath the appliance and/or within the area extending horizontally at least 450 mm (18 in) beyond the appliance on any side equipped with a door, and at least 200 mm (8 in) beyond the appliance on other sides, shall be protected by a continuous, durable, non-combustible pad that will ember protection. The 450 mm (18 in) ember protection required on any side with a door shall extend for the full width of the appliance plus the 200 mm (8 in) required on each side of the appliance without a door. Where the appliance is installed less than 200 mm (8 in) from a wall, the ember pad need only extend to the base of the wall. An ember pad shall not be placed on top of a carpet unless the pad is structurally supported to prevent displacement and distortion.

<sup>20</sup> The floor protection at the back of the stove is limited to the stove's required clearance if such clearance is smaller than 8" (203 mm).

<sup>21</sup> Only required under the horizontal section of the connector. Must exceed each side of the connector by at least 2" (51 mm). See «[Figure 12: Clearances - Side](#)»

## Reducing Wall and Ceiling Clearances Safely

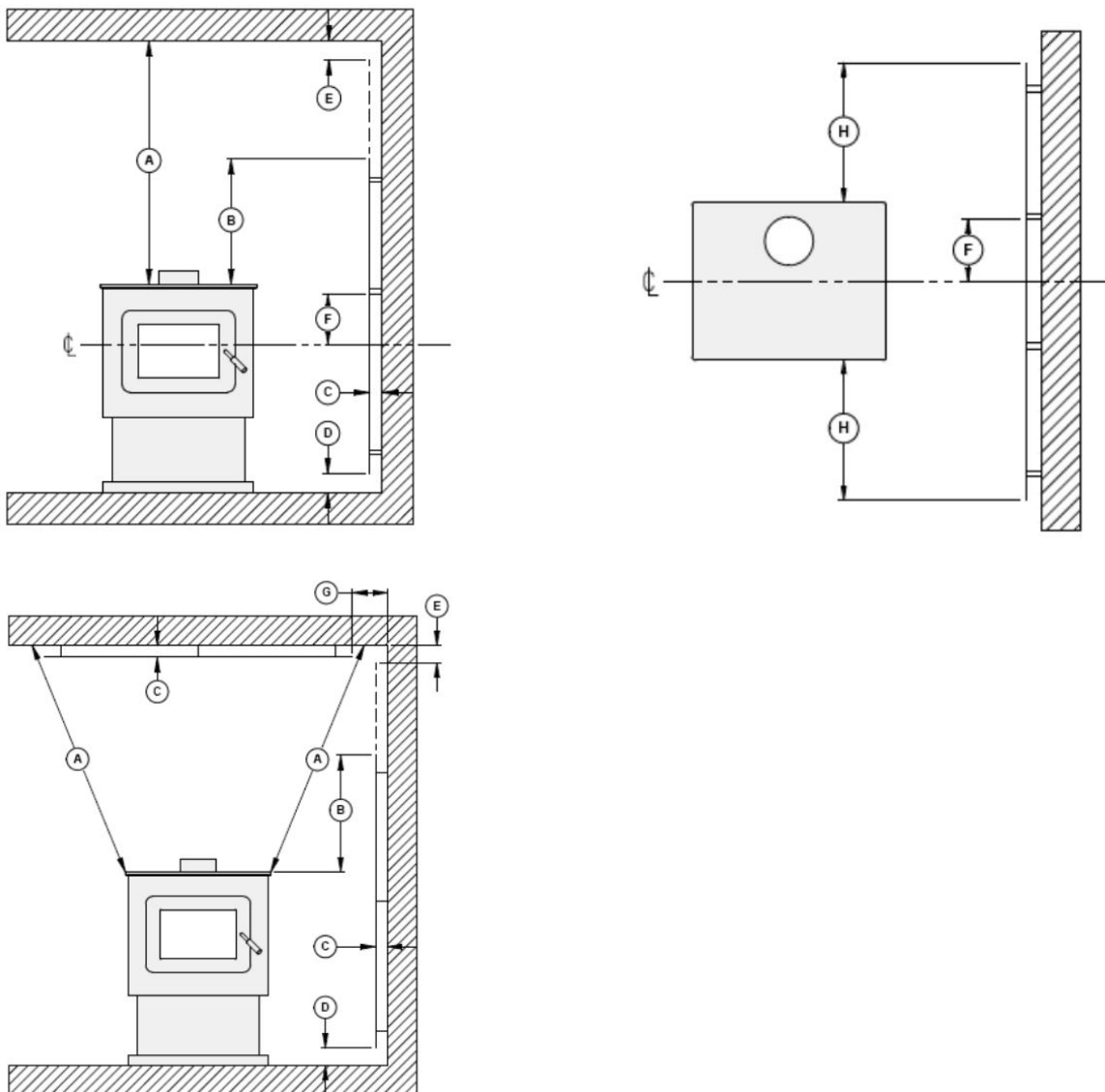
It is often desirable to reduce the minimum installation clearances by placing the stove closer to walls so the installation takes up less floor space. You can safely reduce the minimum clearances by permanently installing a shield between the stove and combustible material. The rules for safe shields can be complicated, so read them carefully and follow them exactly. Note that there may be minor regional differences in clearance reduction rules so be sure to check with your building or fire inspector before proceeding.



| TYPE OF SHIELD   | CLEARANCES MAY BE REDUCED BY THESE PERCENTAGES |                 |               |                 |  |
|--|--|-----------------|---------------|-----------------|--|
|  | SIDES AND REAR                                 |                 | TOP (CEILING) |                 |  |
|  | CAN /USA (%)                                   | USA MIN.        | CAN /USA (%)  | USA MIN.        |  |
| Sheet metal, a minimum of 24 gauge (0.61 mm) in thickness , spaced out at least 1" (25 mm)* [7/8" (21 mm) in Canada] by non-combustible spacers  | 67   | 12"<br>(305 mm) | 50            | 18"<br>(457 mm) |  |
| Ceramic tiles, or equivalent non-combustible material, on non-combustible board spaced out at least 1" (25 mm) [7/8" (21 mm) in Canada] by non-combustible spacers   | 50   | 18"<br>(457 mm) | 33            | 24"<br>(610 mm) |  |
| Ceramic tiles, or equivalent non-combustible material, on non-combustible board, with a minimum of 24 gauge (0.61 mm) sheet metal backing spaced out at least 1" (25 mm) [7/8" (21 mm) in Canada] by non-combustible spacers | 67   | 12"<br>(305 mm) | 50            | 24"<br>(610 mm) |  |
| Brick, spaced out at least 1" (25 mm) [7/8" (21 mm) in Canada] by non-combustible spacers  | 50   | 18"<br>(457 mm) | N/A           | N/A             |  |
| Brick, with a minimum of 24 gauge (0.61 mm) sheet metal backing, spaced out at least 1" (25 mm) [7/8" (21 mm) in Canada] by non-combustible spacers  | 67   | 12"<br>(305 mm) | N/A           | N/A             |  |

### 8.2.1 Shield Construction Rules

- Adhesives used in shield construction must not ignite or lose adhesive qualities at temperatures likely to be encountered.
  - Mounting hardware which extends from the shield surface into combustibles may be used only at the edges of the shield.
  - Mounting hardware must allow full vertical ventilation.
- A) Minimum clearance between the appliance top and an unshielded combustible ceiling: (40  $\frac{3}{4}$ " (1035 mm) .
  - B) Shield extension above the appliance: 20" (500 mm).
  - C) Minimum space behind the shield: 1" (25 mm). In Canada  $\frac{7}{8}$ " (21 mm).
  - D) Clearance along the bottom of the shield: minimum 1" (25 mm) and maximum 3" (75 mm).
  - E) Minimum clearance along the top of the shield at the ceiling: 3" (75 mm).
  - F) Mounting hardware must not be located closer than 8" (200 mm) from the vertical centre line of the appliance.
  - G) Edge clearance for ceiling shields to side and back walls: 3" (75 mm).
  - H) Shield extension beyond each side of the appliance: 18" (450 mm).



## 9. The Venting System

### 9.1 General

The venting system, made of the chimney and the connecting pipe between the stove and the chimney, acts as the engine that drives the wood heating system. Even the best stove will not function safely and efficiently if it is not connected to a suitable chimney.

The heat in the flue gases that pass from the stove and chimney connector into the chimney is not waste heat. This heat is what the chimney uses to make the draft that draws in combustion air, keeps smoke inside the stove and safely vents exhaust to outside. The heat in the flue gas can be seen as the fuel the chimney uses to create draft.

### 9.2 Suitable Chimneys

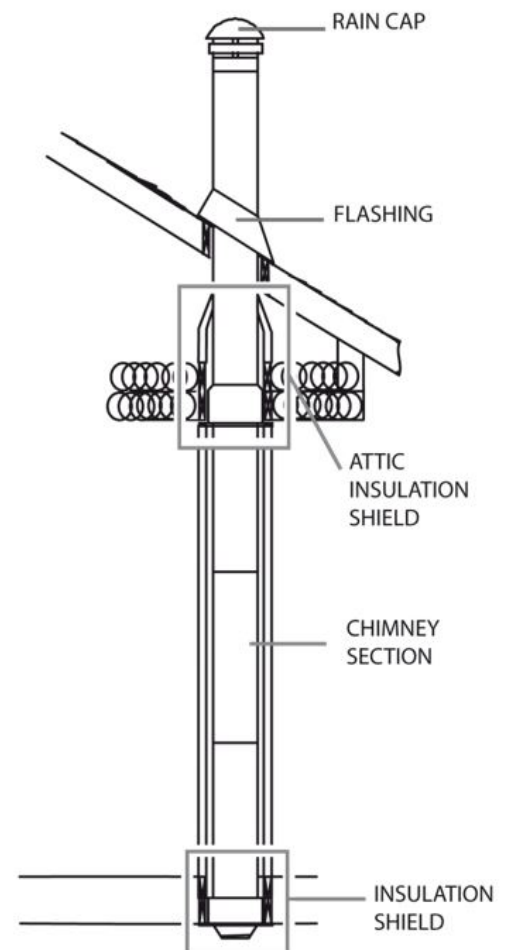
This stove will provide optimum efficiency and performance when connected to a 6" (150 mm) diameter chimney flue system. The connection to a chimney having a diameter of at least 5" (130 mm) (Canada only) or no more than 7" (180 mm) is permitted, if it allows the proper evacuation of flue gases and that such application is verified and authorized by a qualified installer. Otherwise, the diameter of the flue should be 6" (150 mm).

To be suitable, a factory-built metal chimney must comply with UL 103 HT (U.S.A.) or ULC S629 (Canada).

#### 9.2.1 Factory-Built Chimney

These are sometimes referred to as 'high temp' chimneys because they have the specific characteristics to withstand temperatures that can be created by wood burning stoves. Factory-built chimneys are tested as a system with all the necessary components for installation. The instructions provided with the chimney by its manufacturer are the only reliable source of installation guidelines. To be safe and effective, the chimney must be installed exactly in accordance with the manufacturer's instructions. Only components intended for the brand and model of chimney should be used. Never fabricate or substitute parts from other chimney brands. The chimney must be a type suitable for solid fuel.

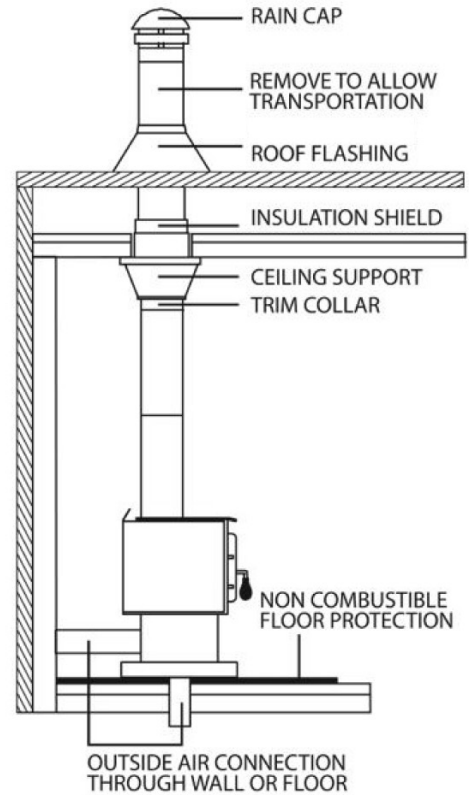
To maintain an effective vapour barrier, insulation and waterproof at the chimney and outside flue pipe, a roof flashing must be installed and sealed with silicone adhesive.



### 9.2.2 Factory-Built Chimneys for Mobile Home

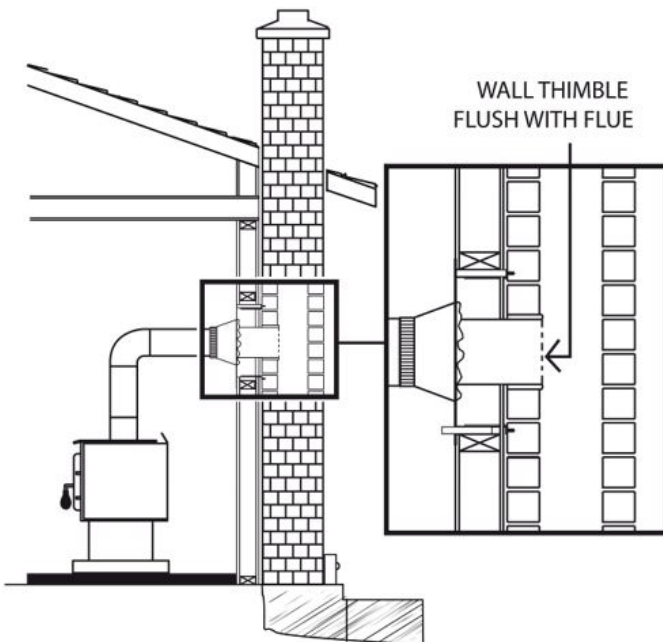
For use in a mobile home, this stove is to be connected to a 6" (150 mm) in diameter double wall factory built chimney conforming to CAN/UCL-S629, Standards for 650°C Factory-built chimney. The total length of the flue system should be at least 12' (3,6 m) including elbows, from the top of the stove to the rain cap.

To maintain an effective vapour barrier, insulation and waterproof at the chimney and outside flue pipe, install a mobile home roof flashing and seal it with silicone.



ENGLISH

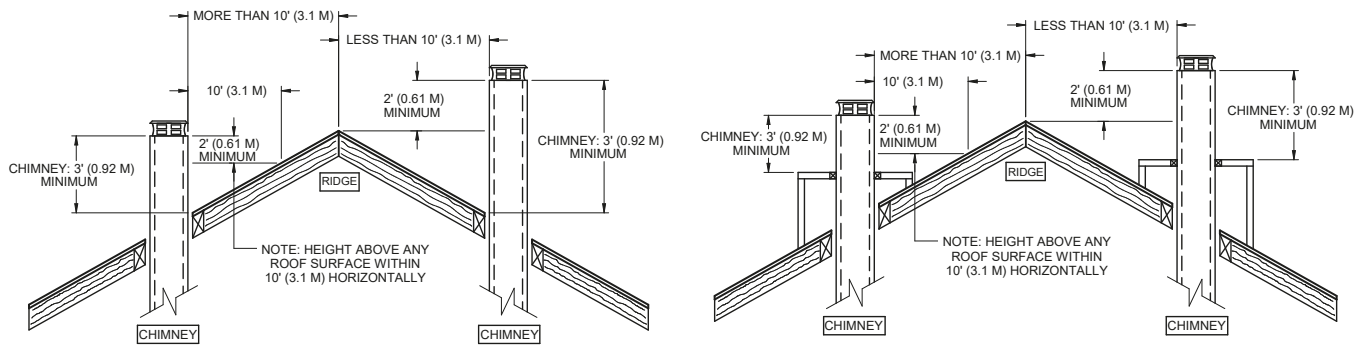
### 9.2.3 Masonry Chimney



The stove may also be connected to a masonry chimney, provided the chimney complies with the construction rules found in the building code enforced locally. The chimney must have either a clay liner or a suitably listed stainless steel liner. If the masonry chimney has a square or rectangular liner that is larger in cross sectional area than a round 6" flue, it should be relined with a suitably listed 6" stainless steel liner. Do not downsize the flue to less than 6" unless the venting system is straight and exceeds 25' (7,6 m) in height. When passing through a combustible wall, the use of an insulated listed thimble is required

### 9.3 Minimum Chimney Height

The top of the chimney should be tall enough to be above the air turbulence caused when wind blows against the house and its roof. The chimney must extend at least 3 ft. (1 m) above the highest point of contact with the roof, and at least 2 ft. (60 cm) higher than any roof line or obstacle within a horizontal distance of 10 ft. (3 m).



### 9.4 Chimney Location

Because the venting system is the engine that drives the wood heating system, it must have the right characteristics. The signs of bad system design are cold back drafting when there is no fire in the stove, slow kindling of new fires, and smoke roll-out when the door is opened for loading. There are two guidelines to follow. First, the chimney should be installed up through the heated space of the house, not out and up an outside wall. Second, the chimney should penetrate to the top of the building at or near the highest heated space.

Venting systems that rise straight up from the stove flue collar provide the best performance. Chimneys that rise inside the warm space of the house tend to provide a small amount of draft even when there is no fire burning. This means that when a fire is lit, the smoke goes up the chimney and strong draft build quickly as the chimney flue warms up. Chimneys that exit a house wall and run up outside can cause problems.

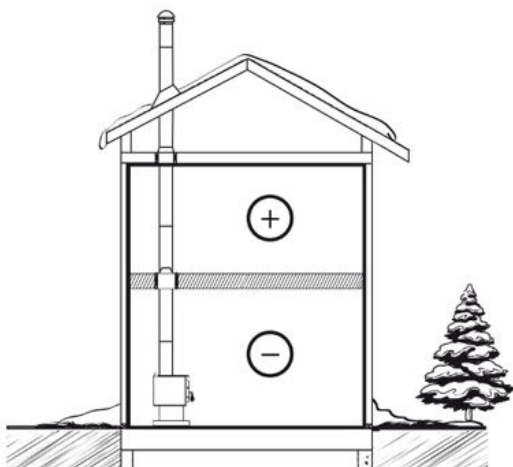


Figure 14: Good System Design

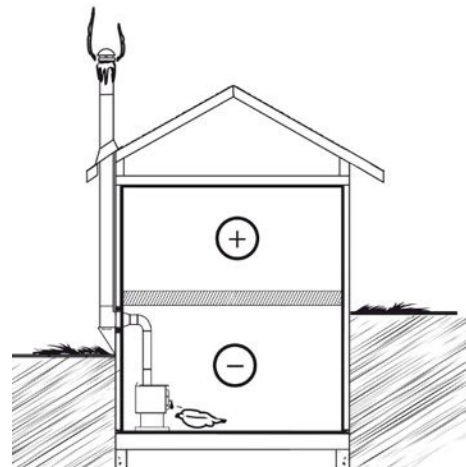


Figure 15: Inferior System Design

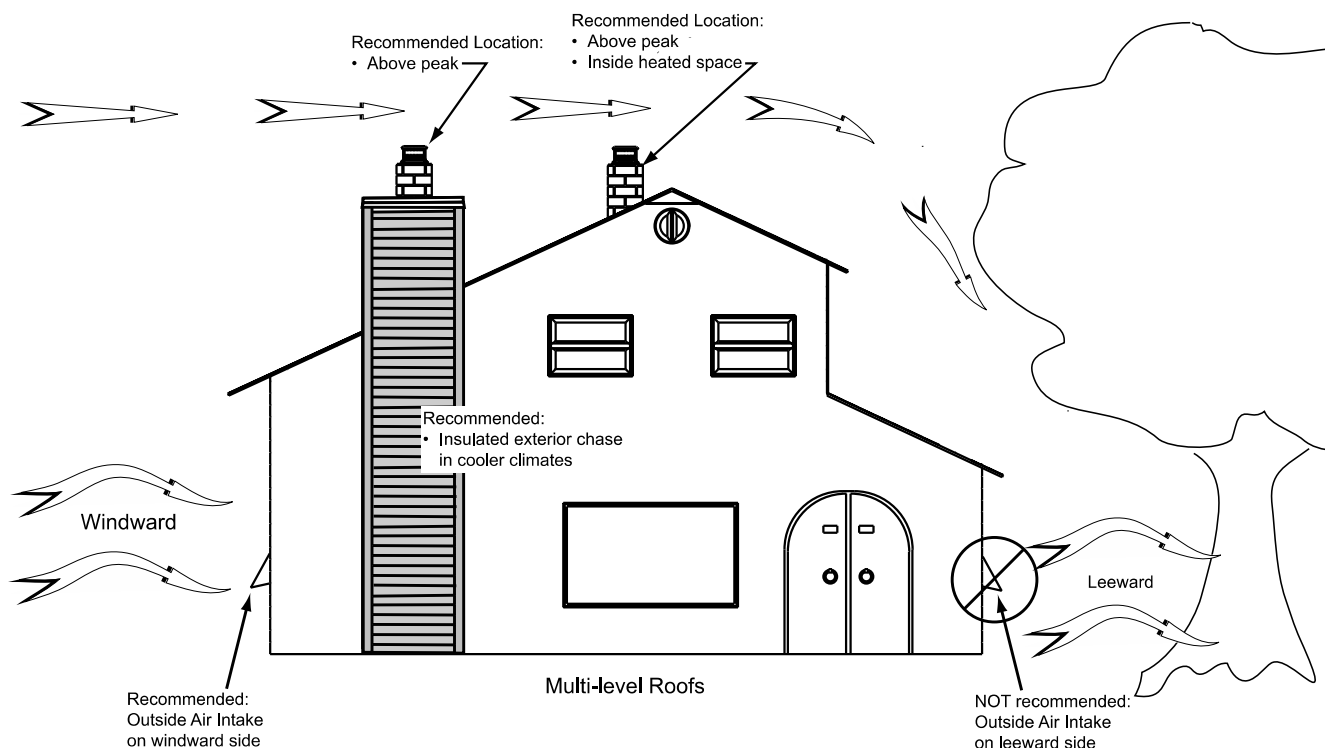


When it is cold outside, the warm air in the house is buoyant so it tends to rise. This tendency of warm air to rise creates a slight pressure difference in the house. Called ‘stack effect’, it produces a slightly negative pressure low in the house (relative to outside) and a slightly positive pressure zone high in the house. If there is no fire burning in a heater connected to a chimney that is shorter than the warm space inside the house, the slight negative pressure low in the house will compete against the desired upward flow in the chimney.

## 9.5 Supply of Combustion Air

### 9.5.1 Conventional House

The safest and most reliable supply of combustion air for a wood stove is from the room in which it is installed. Room air is already preheated so it will not chill the fire, and its availability is not affected by wind pressures on the house. Contrary to commonly expressed concerns, almost all tightly sealed new houses have enough natural leakage to provide the small amount of air needed by the stove. The only case in which the wood stove may not have adequate access to combustion air is if the operation of a powerful exhaust device (such as a kitchen range exhaust) causes the pressure in the house to become negative relative to outdoors.



If an air intake is installed through the wall of the house, its pressure can vary during windy weather. If there are changes in wood stove performance in windy weather, and in particular if smoke puffs from the stove, the air duct should be disconnected from the stove to determine if it is the cause of the problem. In some windy conditions, negative pressure at the duct weather hood outside the house wall may draw hot exhaust gases from the stove backwards through the duct to outdoors. Check the outdoor air duct for soot deposits when the full system is cleaned and inspected at least once each year.

To reduce the risks against smoke spillage due to house depressurization, a carbon monoxide

(CO) and a smoke detector is required in the room where the stove is installed. The CO detector will provide warning if for any reason the wood stove fails to function correctly.

### **9.5.2 Mobile Home**

This stove is certified and approved to be installed in a mobile home. It must therefore have a supply of combustion air from outdoors. The air intake must not draw air from the attic, from the basement, from a garage or any enclosed space. Air must be drawn from a ventilated crawl space under the floor or directly from outside. Install a flexible or rigid, insulated pipe (HVAC type, must comply to ULC S110 and/or UL 181, Class 0 or Class 1) to the fresh air intake. The outside air register must have a rodent guard with a wire mesh.

Where a mobile home has been converted to a standard house by mounting it on a permanent basement foundation, the supply of outdoor air is not mandatory.

## **9.6 Chimney Connector**

The chimney connector is the single or double wall pipe installed between the stove flue collar and the chimney breech.

Double wall chimney connectors are tested and certified. The rules concerning installation are found in the manufacturer's installation instructions.

Single wall pipe components are available from most hardware and building supply stores. These components are usually not tested to a particular standard and certified as compliant. Therefore, a list of rules found in solid fuel installation codes apply to the installation of single wall pipe.

### **9.6.1 Installation configuration**

The best installation configuration is the one that rises straight up from the stove to the base of the chimney with no elbows. Straight assemblies are less likely to cause problems like smoke roll-out when the door is opened for loading. They are also more stable and easier to maintain than assemblies with elbows. Horizontal runs of flue pipe should be avoided where possible because they reduce chimney draft.

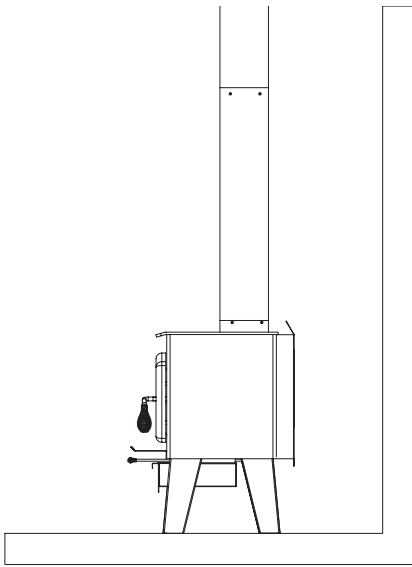


Figure 16: Best

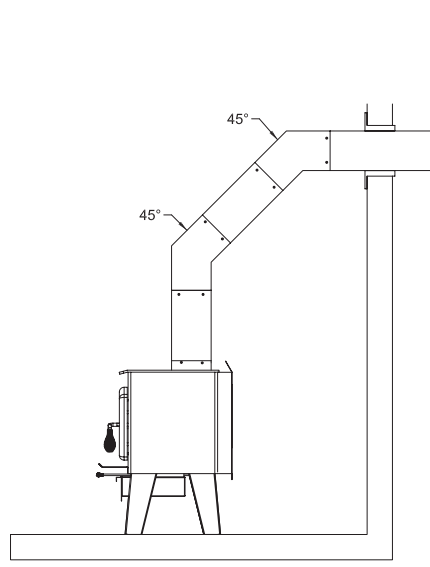


Figure 17: Acceptable

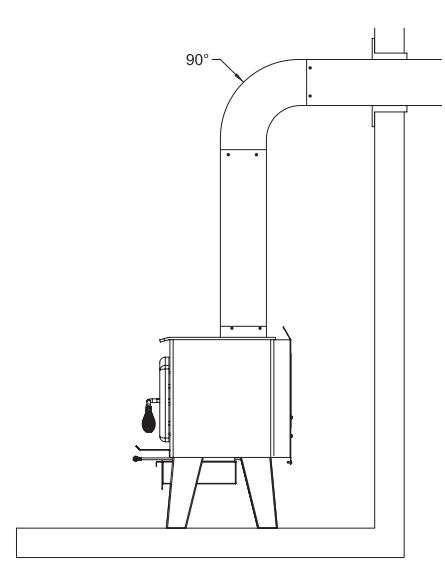


Figure 18: Avoid

### 9.6.2 Installation of Single Wall Chimney Connector

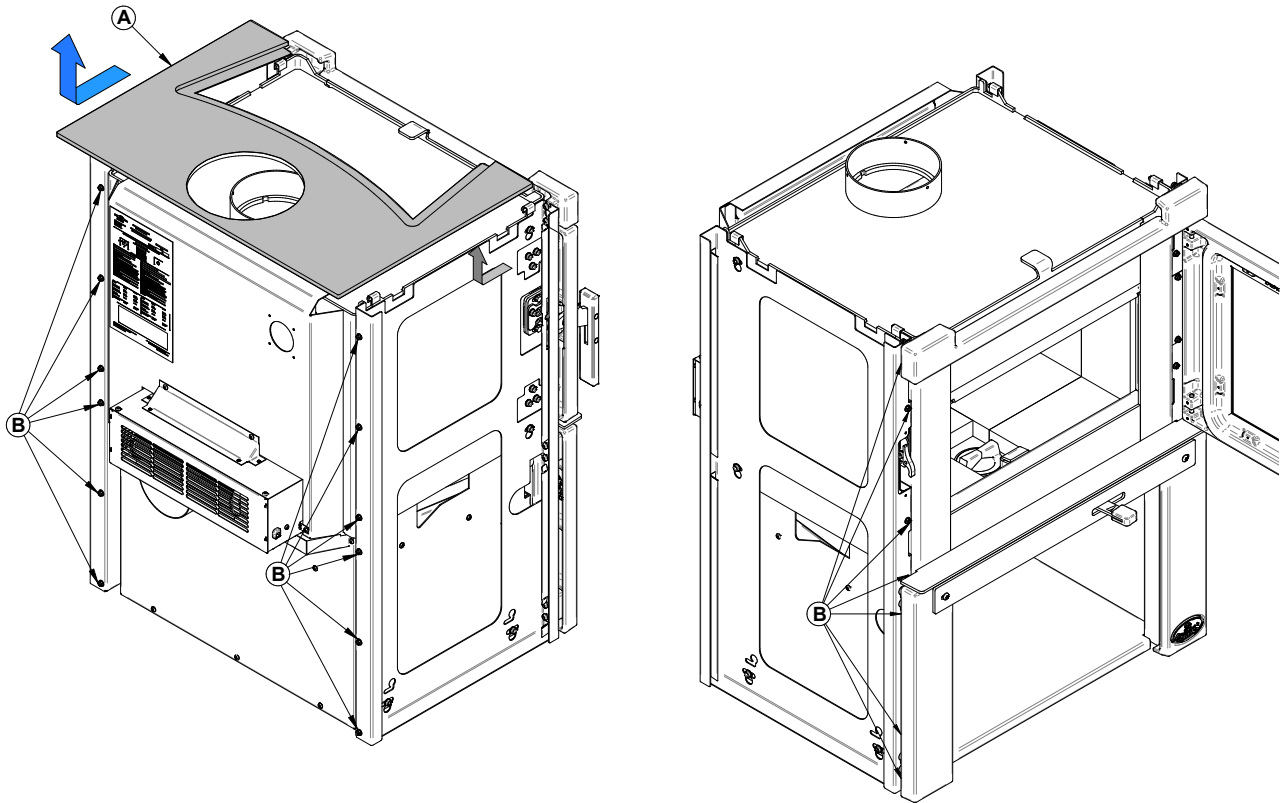
The chimney connector assembly has been called «the weak link» in the safety of wood heating systems because failure to install the connector properly can result in house fires. The rules below are based on those found in the CSA B365 installation code. Please carefully follow these installation instruction rules, or those enforced by the local code.

- Maximum overall length of horizontal pipe: 10' (3 m) including elbows.
- Minimum clearance from combustible material: 18" (450 mm). The minimum clearance may be reduced by 50%, to 9" (225 mm) if proper heat shield is installed either on the pipe or on the combustible surface.
- The assembly should be as short and direct as possible between the stove and chimney. The use of two 45° elbows is preferable to a single 90° elbow.
- The minimum overall height of the chimney system, measured from the stove top to the exterior termination cap of the chimney should be at least 12' (3.66 m). A chimney which is too short may lack the “tunnel effect” required to obtain a proper draft.
- Maximum number of 90° elbows: 2.
- Maximum unsupported horizontal length: 3' (1 m).
- Galvanized flue pipes must not be used because the coatings vaporize at high temperatures and release dangerous gases. Use black painted flue pipes.
- Flue pipes must be at least 24 gauge in thickness.
- Flue pipe joints should overlap at least 1 ¼" (30 mm).
- Each joint in the assembly must be fastened with at least three screws.

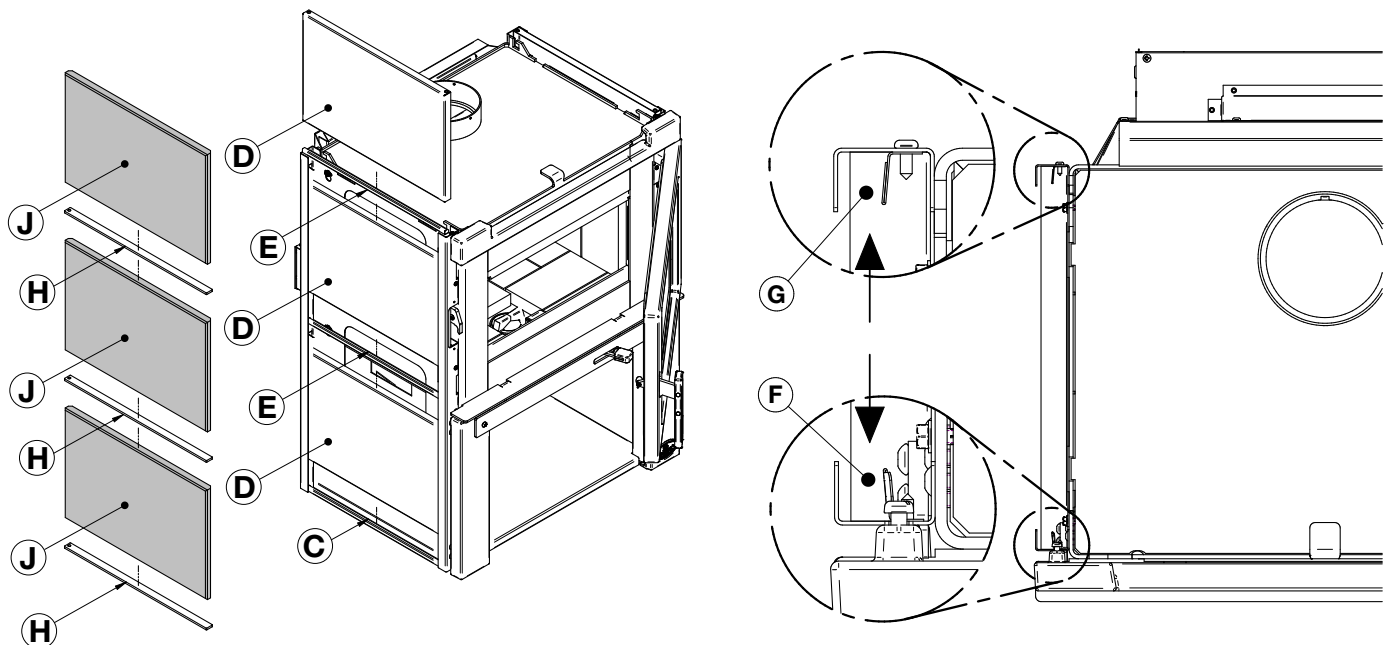
- The installation must allow expansion: elbows in assemblies allow for expansion; straight assemblies should include an inspection wrap with one end unfastened, or a telescopic section.
- Minimum upward slope towards the chimney: ¼ in/ft. (20 mm/m).
- One end of the assembly must be securely fastened to the flue collar with 3 sheet metal screws and the other end securely fastened to the chimney.
- There must be provision for cleaning of the pipes, either through a clean out or by removal of the pipe assembly. Removal of the assembly should not require that the stove be moved.
- The male ends of the sections must be oriented towards the appliance so that ashes and condensation stay inside the pipe.
- A flue pipe must never pass through a combustible floor or ceiling or through an attic, roof space, closet or concealed space. Where passage through a wall or partition of combustible construction is desired, the installation shall conform to CAN/CSA-B365, Installation Code for Solid-Fuel-Burning Appliances and Equipment.
- The chimney and chimney connector must be clean and in good condition.

## APPENDIX 1: SIDE PANELS INSTALLATION

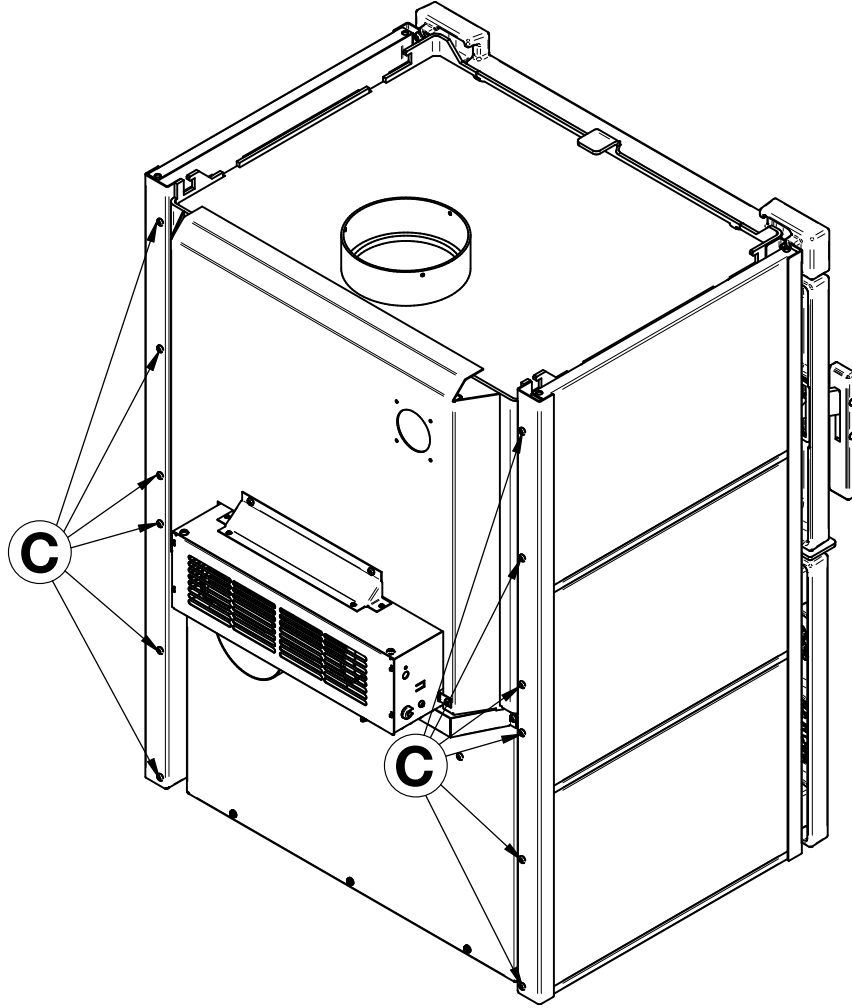
1. Push the top of the stove (**A**) back to release it from its anchors. Use a rubber mallet if necessary. Remove the top of the stove.
2. Slightly unscrew, without removing, the screws (**B**) holding the panel / stone brackets on each side, at the front and back of the unit.



3. For panels installation, insert the decorative molding (**C** or **H**) at the bottom and complete the assembly by alternating the panels (**D** or **J**) and the decorative moldings (**E** or **H**) by sliding them in the spaces (**F**) and (**G**).



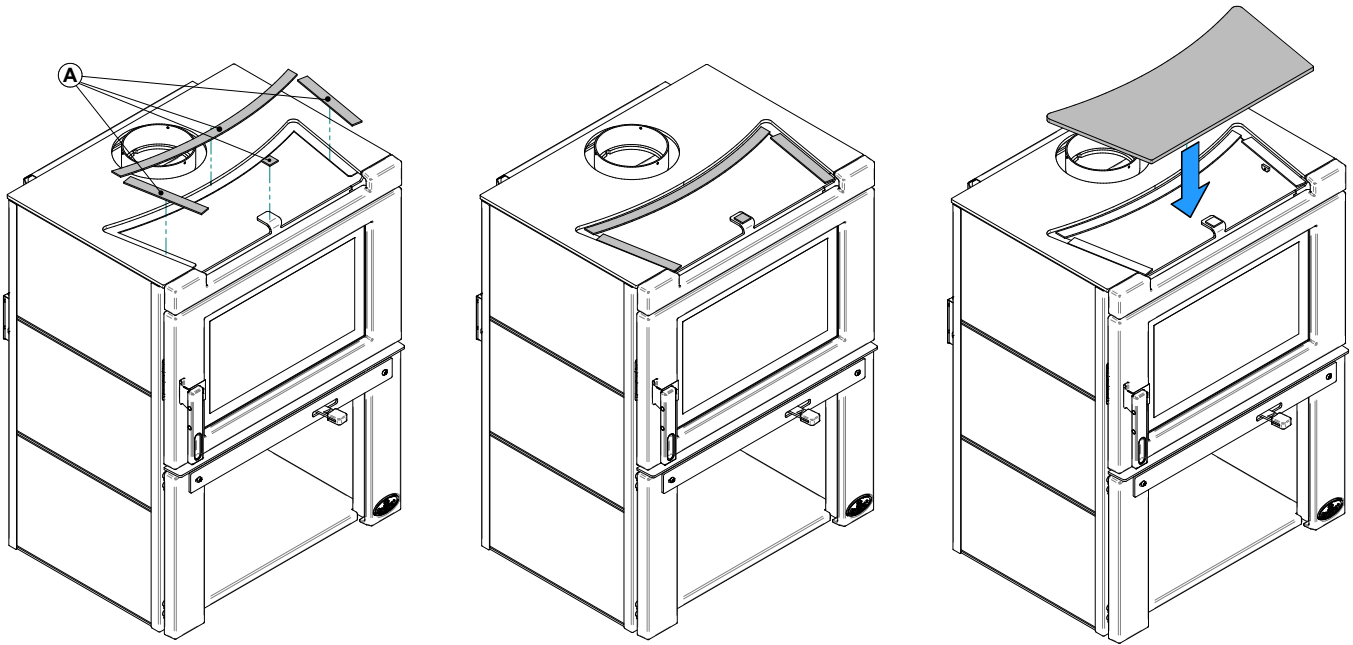
4. Tighten all the screws **(C)** previously unscrewed to hold the decorative assemblies.
5. Reinstall stove top (See Step 1) and install top panels (See Appendix 2).



## APPENDIX 2: TOP PANELS INSTALLATION

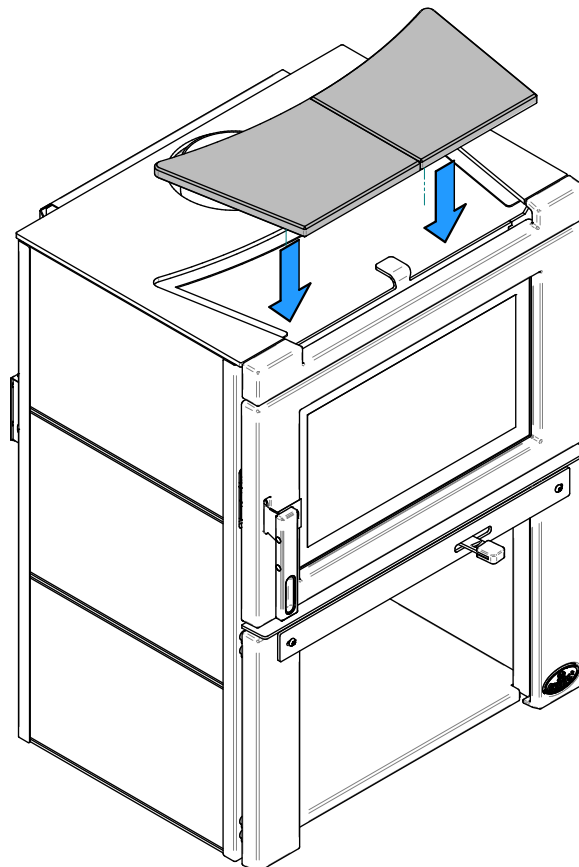
### Steel Panel

Cut the gasket **(A)** to the correct length and stick it on the stove, as shown below. Lay the steel panel down on the stove.



### Soap Stone Panels

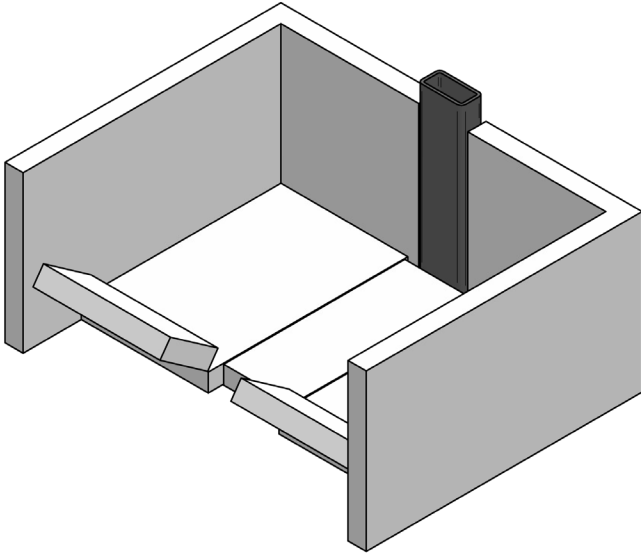
Lay the soap stones down on the stove.



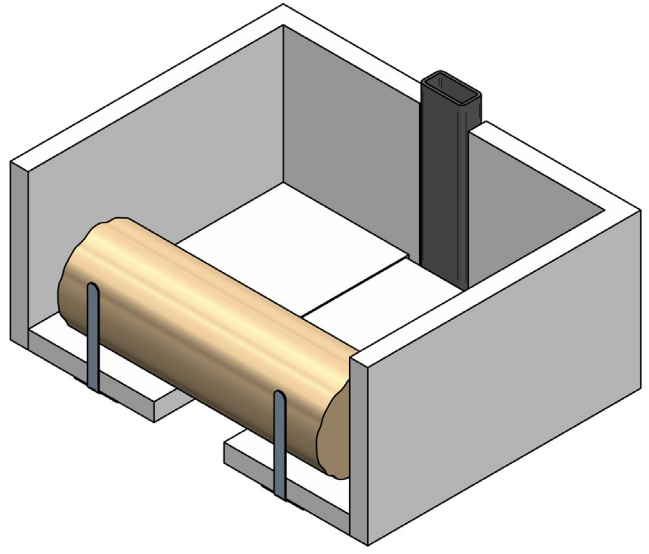
# APPENDIX 3: LOG RETAINERS INSTALLATION

ENGLISH

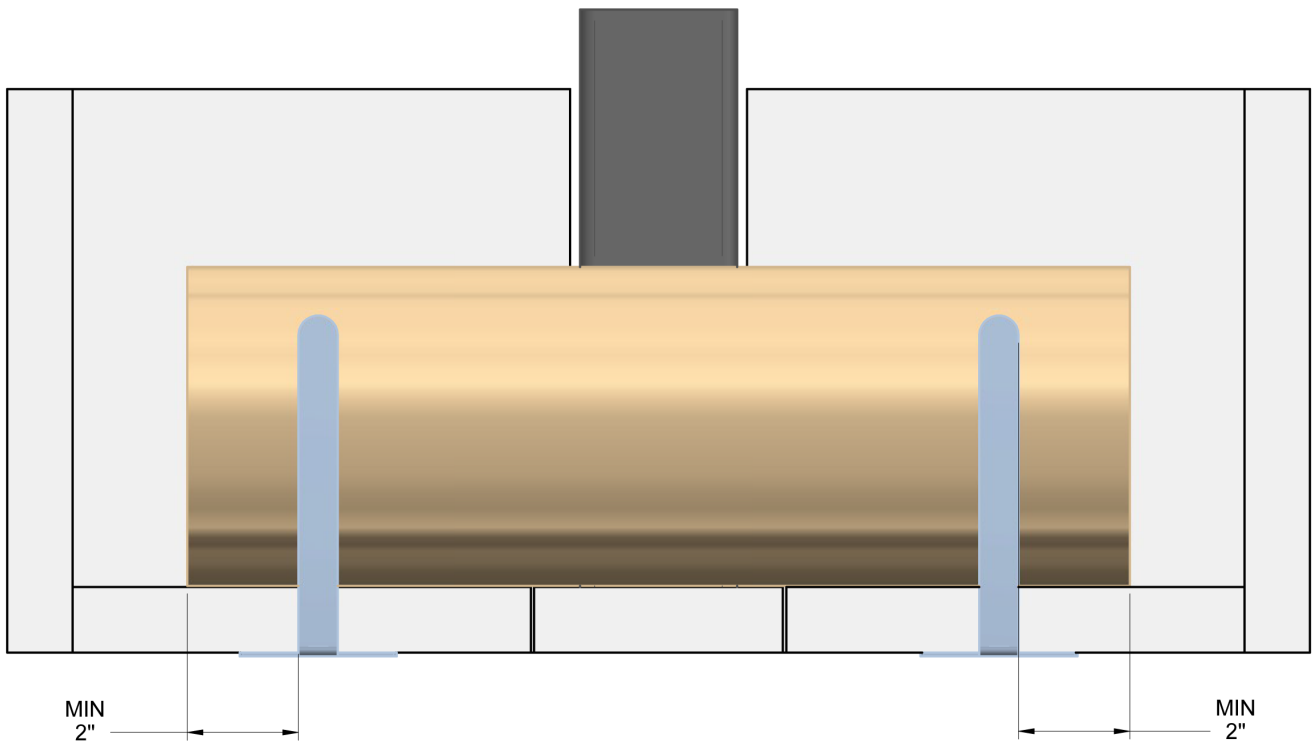
1.



2.



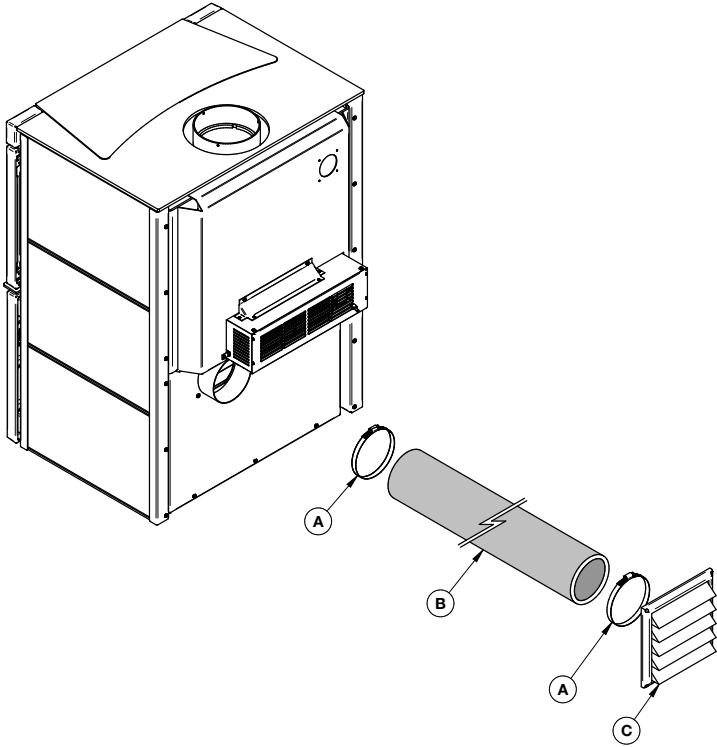
3.



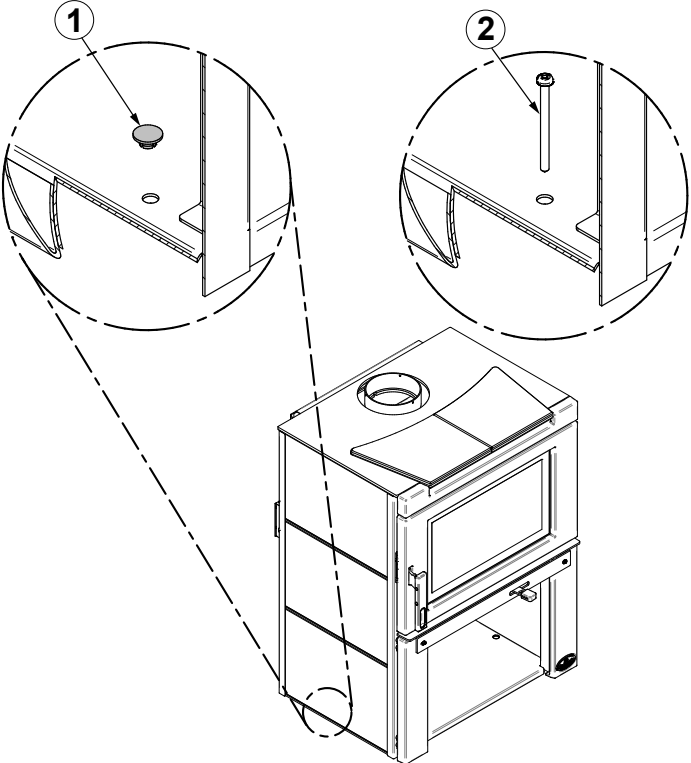


# APPENDIX 4: OPTIONAL FRESH AIR INTAKE INSTALLATION

This stove can be connected to a fresh air intake. To do this, a flexible insulated pipe **(B)** of the HVAC type (must comply with ULC S110 or UL 181, class 0 or class 1) must be connected to the rear of the appliance with two collars **(A)**, sold separately. The duct must also be connected to an outside air intake **(C)**.

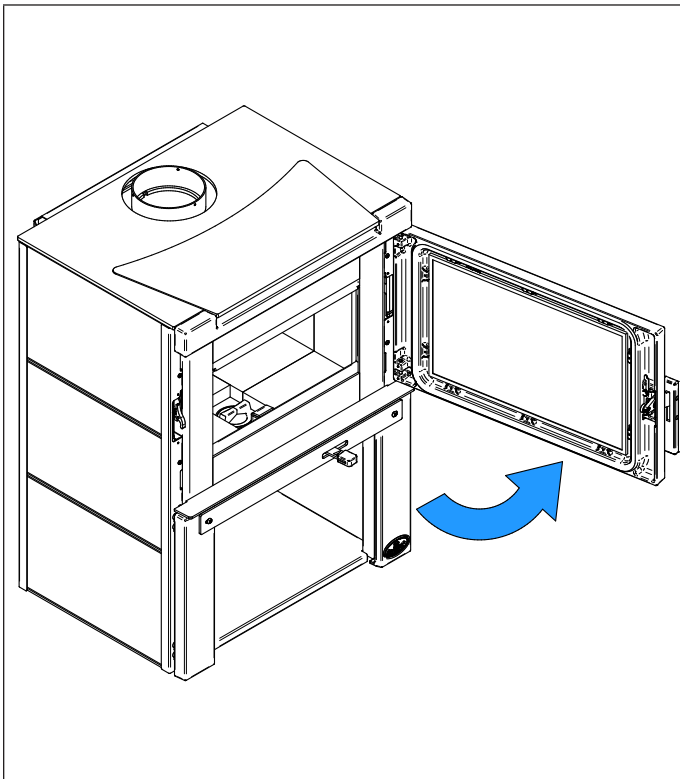


When the stove is installed in a mobile home, it must be anchored to the floor. Remove plugs **(1)** and secure to floor with appropriate flooring hardware **(2)**.

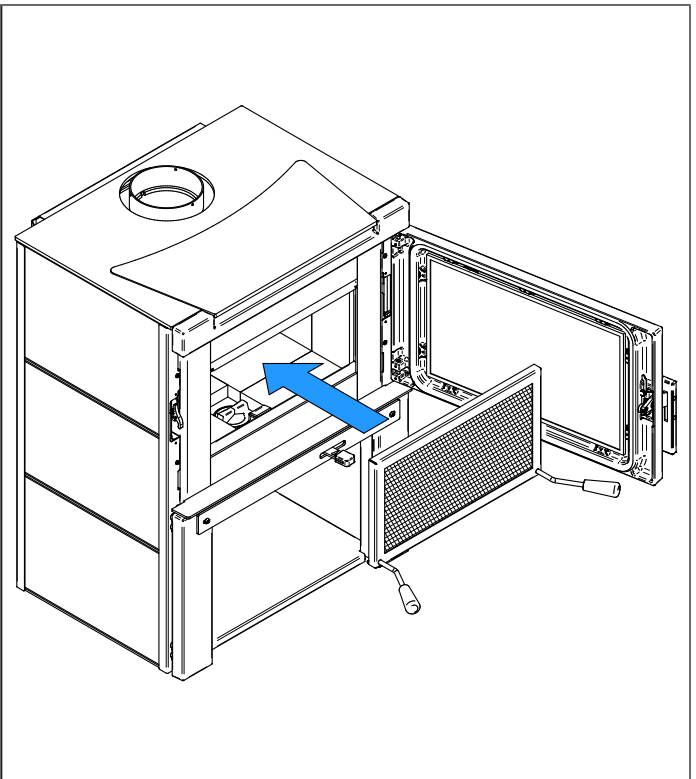


## APPENDIX 5: OPTIONAL FIRE SCREEN INSTALLATION

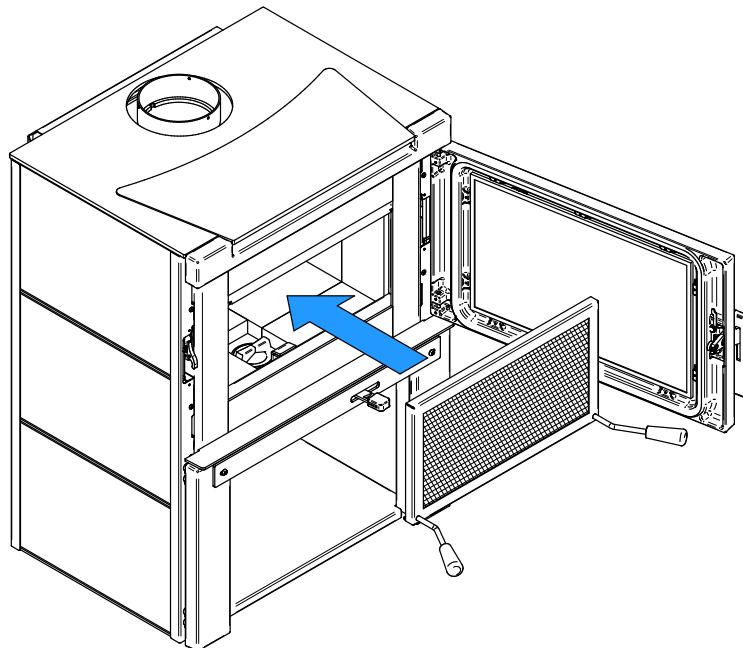
ENGLISH



1. Open the door.



2. Hold the fire screen by the two handles and bring it close to the door opening.

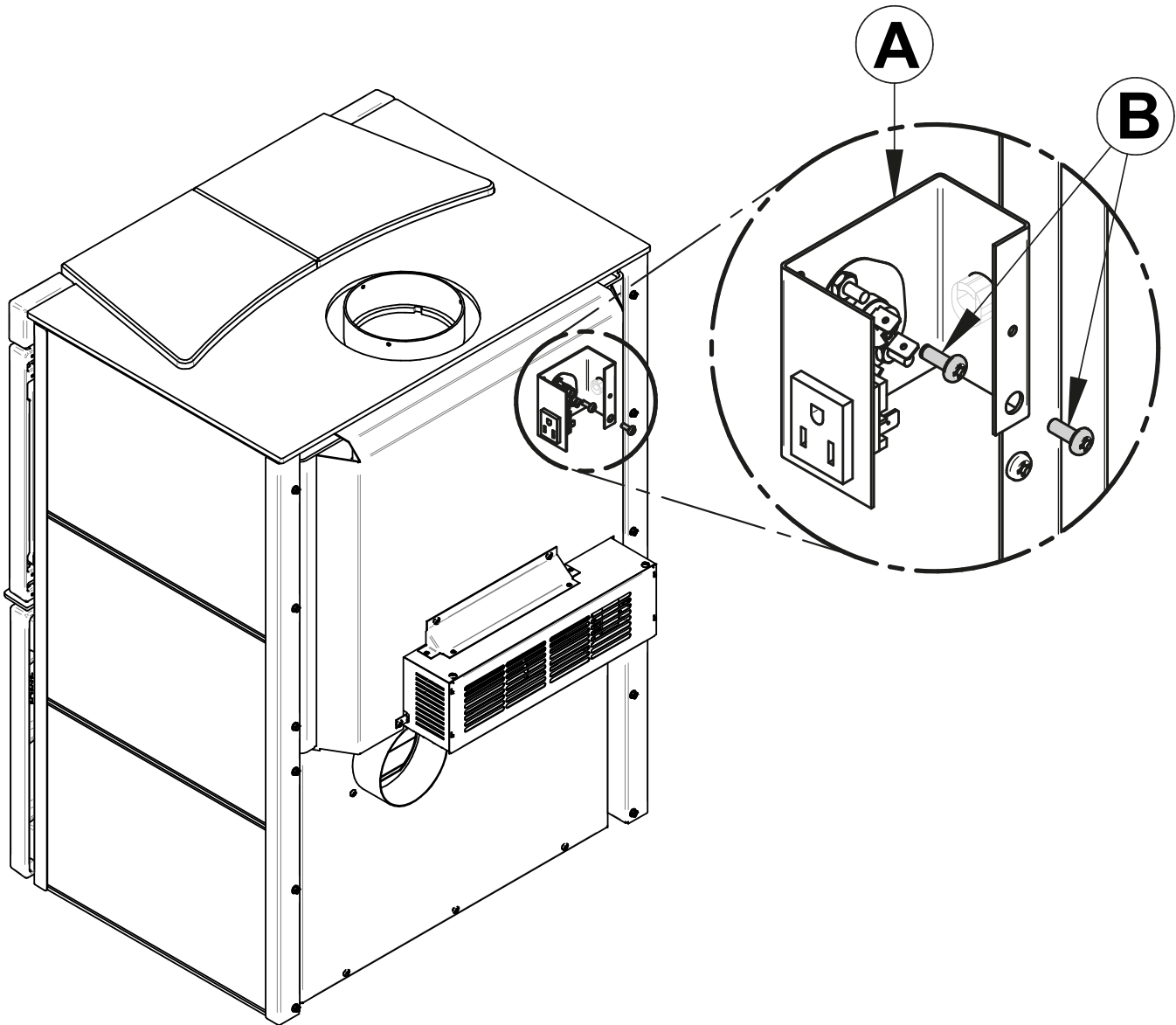


3. Lean the upper part of the fire screen against the top door opening making sure to shove the top fire screen brackets behind the primary air deflector.
4. Lift the fire screen upwards and push the bottom part towards the stove then let the fire screen rest on the bottom of the door opening.

**Warning: Never leave the stove unattended while in use with the fire screen.**

## APPENDIX 6: BLOWER AND OPTIONAL THERMODISC INSTALLATION

A thermodisc is included with this wood stove. It allows the blower to operate only when the stove is hot enough. See the instructions provided with the thermodisc for more details.

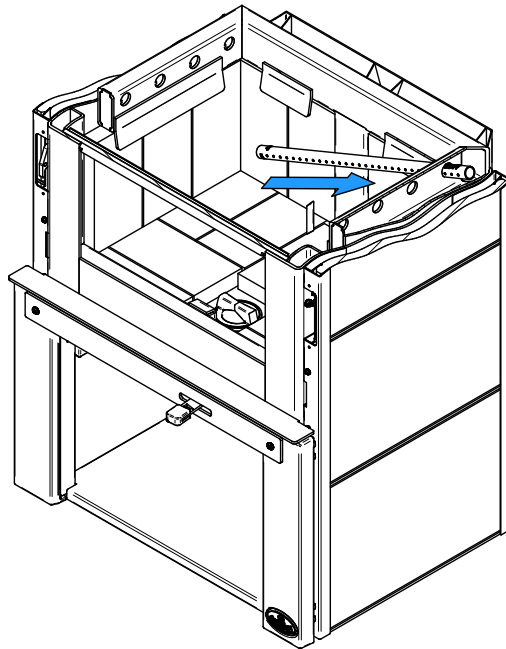


ENGLISH

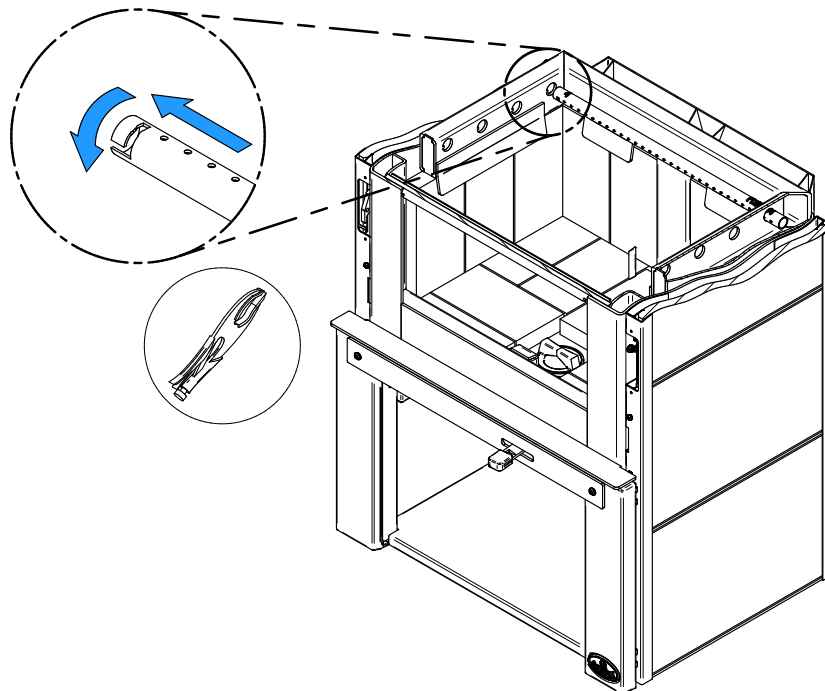
Screw the thermodisc **(A)** on the back of the stove with the screws **(B)** provided.

**Ensure that the thermodisc's power cord is not in contact with any surface of the stove to prevent electrical shock or fire damage.**

## APPENDIX 7: AIR TUBES AND BAFFLE INSTALLATION

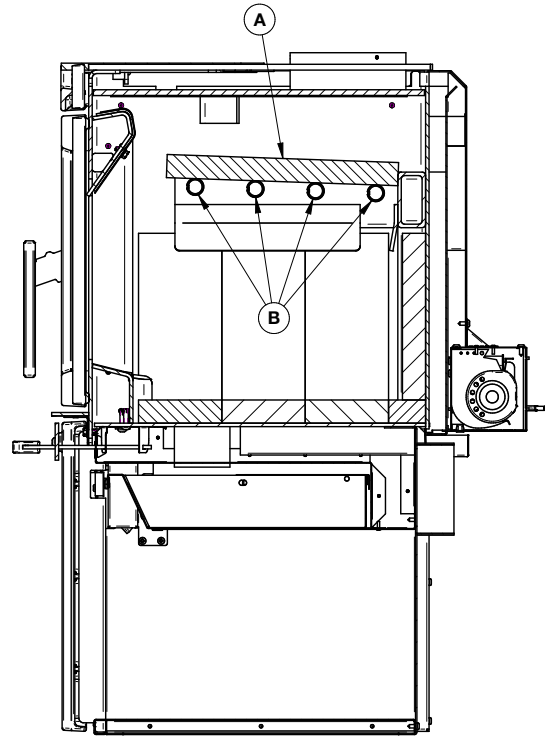
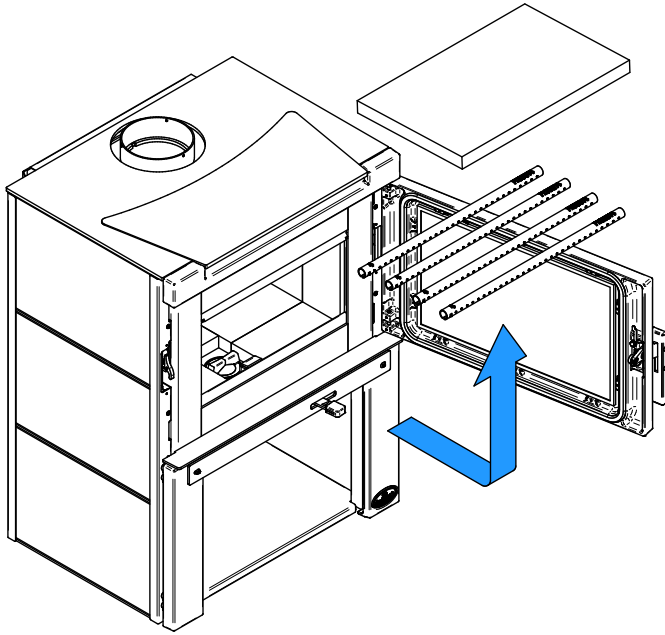


1. Starting with the rear tube, lean and shove the right end of the secondary air tube into the rear right channel hole. Then lift and shove the left end of the tube into the rear left channel.



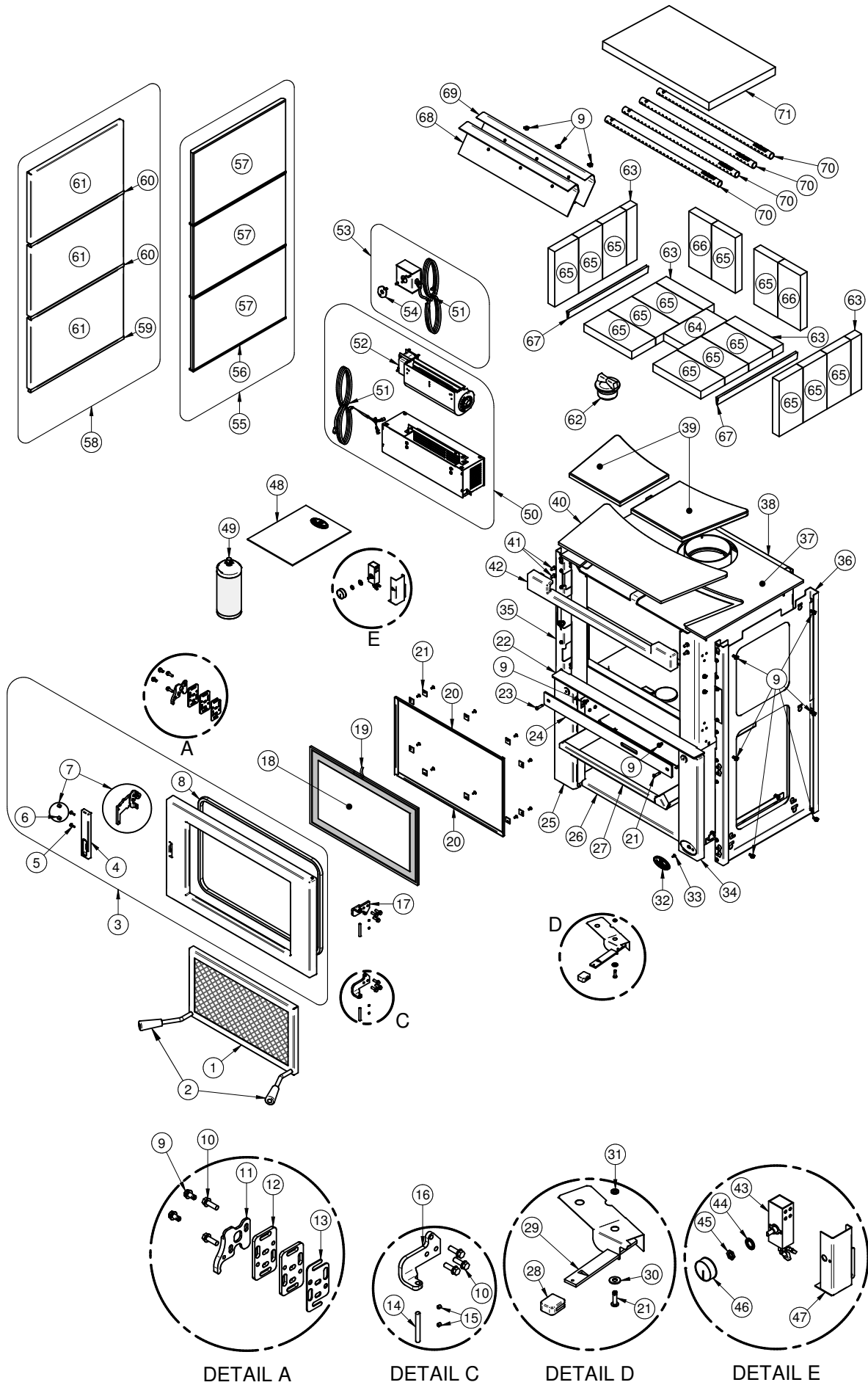
2. Align the notch in the left end of the tube with the key of the left air channel hole. Using a « Wise grip » hold the tube and lock it in place by turning the tube as shown in detail A . Make sure the notch reaches the end of the key way.
3. Repeat steps 1 and 2 for the two tubes in the back then install the baffle before installing the two front tubes.
4. To remove the tubes use the above steps in reverse order.

Note that secondary air tubes (B) can be replaced without removing the baffle board (A) and that all tubes are identical.



ENGLISH

# APPENDIX 8: EXPLODED DIAGRAM AND PARTS LIST



IMPORTANT: THIS IS DATED INFORMATION. When requesting service or replacement parts for your unit, please provide the model number and the serial number. We reserve the right to change parts due to technology upgrade or availability. Contact an authorized dealer to obtain any of these parts. Never use substitute materials. Use of non-approved parts can result in poor performance and safety hazards.

| #  | Item       | Description   | Qty |
|----|------------|---|-----|
| 1  | AC01315    | RIGID FIRESCREEN  | 1   |
| 2  | 30898      | ROUND WOODEN BLACK HANDLE                                       | 2   |
| 3  | SE24245-01 | CAST IRON DOOR WITH GASKET AND HANDLE                           | 1   |
| 4  | AC09145    | BLACK WOODEN DOOR HANDLE  | 1   |
| 5  | 30123      | SCREW #8 - 32 X 5/8" PAN QUADREX ZINC                           | 2   |
| 6  | 30766      | WOODEN DOWEL  | 2   |
| 7  | SE65082    | DOOR HANDLE ASSEMBLY  | 1   |
| 8  | AC06500    | SILICONE AND 5/8" X 8' BLACK DOOR GASKET KIT (AC-DGKNC)         | 1   |
| 9  | 30084      | BOLT 1/4-20 X 1/2" GRADE 5                                      | 4   |
| 10 | 30093      | BOLT 1/4-20 X 3/4" HEX GRADE 5                                  | 2   |
| 11 | PL65153    | DOOR LOCK   | 1   |
| 12 | PL65075    | LATCH SHIM  | 2   |
| 13 | PL65035    | DOOR LOCK SPACER  | 1   |
| 14 | 30755      | DOWEL PIN 1/4" X 2"   | 2   |
| 15 | 30117      | SET SCREW #10-32 X 3/16" BLACK                                  | 4   |
| 16 | PL65615    | BOTTOM HINGE  | 1   |
| 17 | PL65614    | TOP HINGE   | 1   |
| 18 | SE23051    | GLASS WITH GASKET - 20 1/4"W X 12 1/2"H                         | 1   |
| 19 | AC06400    | 3/4" X 6' x 1/8" FLAT BLACK SELF-ADHESIVE GLASS GASKET (AC-GGK) | 1   |
| 20 | PL65646    | GLASS FRAME   | 2   |
| 21 | SE53585    | 12 GLASS RETAINERS WITH SCREWS                                  | 1   |
| 22 | SE65658    | ASH LIP SUPPORT   | 1   |
| 23 | 30506      | SCREW PAN TORX TYPE F 1/4-20 X 1" BLACK                         | 2   |
| 24 | PL65612    | AIR CONTROL GUIDE   | 1   |
| 25 | SE24246    | LEFT CAST IRON FRONT BASE FINISH                                | 1   |
| 26 | PL65603    | BASE  | 1   |
| 27 | SE65772    | ASH DRAWER  | 1   |
| 28 | AC09146    | BLACK WOODEN AIR CONTROL HANDLE                                 | 1   |
| 29 | SE65832    | AIR CONTROL DAMPER ASSEMBLY                                     | 1   |
| 30 | 30206      | ZINC WASHER 5/16"ID X 3/4"OD                                    | 1   |
| 31 | 30187      | STAINLESS WASHER ID 17/64" X OD 1/2"                            | 7   |
| 32 | 30450      | OSBURN DOOR LOGO  | 1   |
| 33 | 30124      | MECHANICAL SCREW #8-32 X 5/16" TRUSS QUADREX #2 ZINC            | 1   |
| 34 | SE24252    | RIGHT CAST IRON FRONT BASE FINISH                               | 1   |
| 35 | SE65657    | LEFT DECORATIVE PANEL ATTACHMENT FRAME                          | 1   |
| 36 | SE65659    | RIGHT DECORATIVE PANEL ATTACHMENT FRAME                         | 1   |
| 37 | SE65647    | TOP ASSEMBLY  | 1   |

| #  | Item    | Description  | Qty |
|----|---------|--|-----|
| 38 | 99999   | BUILD TO ORDER                                     | 1   |
| 39 | OA10703 | SOAPSTONE PANEL TOP (2 UNITS)                      | 1   |
| 40 | OA10704 | BLACK STEEL PANEL TOP                              | 1   |
| 41 | 30025   | 1/4-20 X 1/2" PAN-HEAD QUADREX BLACK SCREW         | 4   |
| 42 | SE24251 | CAST IRON DECORATIVE TOP FACING                    | 1   |
| 43 | 44084   | RHEOSTAT WITHOUT NUT AND FLAT WASHER               | 1   |
| 44 | 44203   | RHEOSTAT WASHER                                    | 1   |
| 45 | 44202   | RHEOSTAT NUT                                       | 1   |
| 46 | 44085   | RHEOSTAT KNOB                                      | 1   |
| 47 | PL65768 | RHEOSTAT HOUSING                                   | 1   |
| 48 | SE45989 | MATRIX INSTRUCTIONS MANUAL KIT                     | 1   |
| 49 | AC05959 | METALLIC BLACK STOVE PAINT - 342 g (12oz) AEROSOL  | 1   |
| 50 | SE65769 | FAN ASSEMBLY 115V-60Hz-56W 130PCM                  | 1   |
| 51 | 60013   | POWER CORD 96" X 18-3 type SJT (50 pcs per carton) | 1   |
| 52 | 44070   | CROSSFLOW BLOWER SINGLE CAGE 130 CFM 115V-60Hz-56W | 1   |
| 53 | AC02055 | QUICK CONNECT THERMODISC                           | 1   |
| 54 | 44028   | CERAMIC THERMODISC F110-20F                        | 1   |
| 55 | OA10701 | SOAPSTONE SIDE PANELS KIT                          | 1   |
| 56 | PL65668 | BOTTOM DECORATIVE TRIM FOR SIDE SOAP STONE         | 1   |
| 57 | 22219   | SIDE SOAP STONE                                    | 3   |
| 58 | OA10700 | BLACK SIDE PANELS KIT                              | 1   |
| 59 | PL65783 | BLACK BOTTOM DECORATIVE TRIM FOR PANELS            | 1   |
| 60 | PL65782 | MIDDLE DECORATIVE TRIM BRUSHED NICKEL              | 2   |
| 61 | PL65655 | DECORATIVE SIDE PANEL PAINTED BLACK                | 3   |
| 62 | 24096   | ROUND CAST IRON ASH PLUG                           | 1   |
| 63 | PL36056 | 2" X 9" X 1 1/4" REFRACTORY BRICK HD               | 4   |
| 64 | 29001   | 4" X 8" X 1 1/4" REFRACTORY BRICK HD               | 1   |
| 65 | 29020   | 4 1/2" X 9" X 1 1/4" REFRACTORY BRICK HD           | 14  |
| 66 | PL36636 | 4 1/4" X 9" X 1 1/4" REFRACTORY BRICK HD           | 1   |
| 67 | PL65127 | FLOORED BRICK RETAINER                             | 2   |
| 68 | 21387   | TOP AIR DEFLECTOR INSULATION                       | 1   |
| 69 | PL65505 | TOP AIR DEFLECTOR PROTECTOR                        | 1   |
| 70 | PL65514 | SECONDARY AIR TUBE                                 | 4   |
| 71 | 21389   | C-CAST (V2) BAFFLE 20" X 12 1/2" X 1 1/4"          | 1   |



# OSBURN LIMITED LIFETIME WARRANTY

The warranty of the manufacturer extends only to the original retail purchaser and is not transferable. This warranty covers brand new products only, which have not been altered, modified nor repaired since shipment from factory. Proof of purchase (dated bill of sale), model name and serial number must be supplied when making any warranty claim to your OSBURN dealer.

**This warranty applies to normal residential use only. This warranty is void if the unit is used to burn material other than cordwood (for which the unit is not certified by EPA) and void if not operated according to the owner's manual. Damages caused by misuse, abuse, improper installation, lack of maintenance, over firing, negligence or accident during transportation, power failures, downdrafts, venting problems or under-estimated heating area are not covered by this warranty. The recommended heated area for a given appliance is defined by the manufacturer as its capacity to maintain a minimum acceptable temperature in the designated area in case of a power failure.**

This warranty does not cover any scratch, corrosion, distortion, or discoloration. Any defect or damage caused by the use of unauthorized or other than original parts voids this warranty. An authorized qualified technician must perform the installation in accordance with the instructions supplied with this product and all local and national building codes. Any service call related to an improper installation is not covered by this warranty.

The manufacturer may require that defective products be returned or that digital pictures be provided to support the claim. Returned products are to be shipped prepaid to the manufacturer for investigation. Transportation fees to ship the product back to the purchaser will be paid by the manufacturer. Repair work covered by the warranty, executed at the purchaser's domicile by an authorized qualified technician requires the prior approval of the manufacturer. All parts and labour costs covered by this warranty are limited according to the table below.

The manufacturer, at its discretion, may decide to repair or replace any part or unit after inspection and investigation of the defect. The manufacturer may, at its discretion, fully discharge all obligations with respect to this warranty by refunding the wholesale price of any warranted but defective parts. The manufacturer shall, in no event, be responsible for any uncommon, indirect, consequential damages of any nature, which are in excess of the original purchase price of the product. **A one-time replacement limit applies to all parts benefiting from lifetime coverage.** This warranty applies to products purchased after June 1<sup>st</sup>, 2015.

| DESCRIPTION   | WARRANTY APPLICATION* |         |
|---|-----------------------|---------|
|   | PARTS                 | LABOUR  |
| Combustion chamber (welds only) and cast iron door frame  | Lifetime***           | 5 years |
| Ceramic glass**, plating (manufacturing defect**), and convector air-mate   | Lifetime***           | N/A     |
| Surrounds, heat shields, ash drawer, steel legs, pedestal, trims (aluminum extrusions), vermiculite, C-Cast or equivalent baffle**, secondary air tubes**, removable stainless steel combustion chamber, deflectors, and supports | 7 years***            | N/A     |
| Handle assembly, glass retainers and air control mechanism  | 5 years               | 3 years |
| Removable carbon steel combustion chamber components  | 5 years               | N/A     |
| Standard and optional blower, heat sensors, switches, rheostat, wiring, and electronics   | 2 years               | 1 year  |
| Paint (peeling**), gaskets, insulation, ceramic fiber blankets, refractory bricks (fireplace only***), and other options  | 1 year                | N/A     |
| All parts replaced under the warranty   | 90 days               | N/A     |

*\*Subject to limitations above    \*\*Picture required    \*\*\*limited to one replacement*

Labour cost and repair work to the account of the manufacturer are based on a predetermined rate schedule and must not exceed the wholesale price of the replacement part.

Shall your unit or a components be defective, contact immediately your **OSBURN** dealer. To accelerate processing of your warranty claim, make sure to have on hand the following information when calling:

- Your name, address and telephone number
- Bill of sale and dealer's name
- Installation configuration
- Serial number and model name as indicated on the nameplate fixed to the back of your unit
- Nature of the defect and any relevant information

**Before shipping your unit or defective component to our plant, you must obtain an Authorization Number from your OSBURN dealer. Any merchandise shipped to our plant without authorization will be refused automatically and returned to sender.**

This document is available for free download on the manufacturer's website. It is a copyrighted document. Resale is strictly prohibited. The manufacturer may update this document from time to time and cannot be responsible for problems, injuries, or damages arising out of the use of information contained in any document obtained from unauthorized sources.



Stove Builder International inc.  
250, rue de Copenhague,  
St-Augustin-de-Desmaures (Québec) Canada  
G3A 2H3  
1-877-356-6663  
[www.osburn-mfg.com/en](http://www.osburn-mfg.com/en)  
[tech@sbi-international.com](mailto:tech@sbi-international.com)