

2.3 Dimensions

2.3.1 Stove Dimensions with Legs

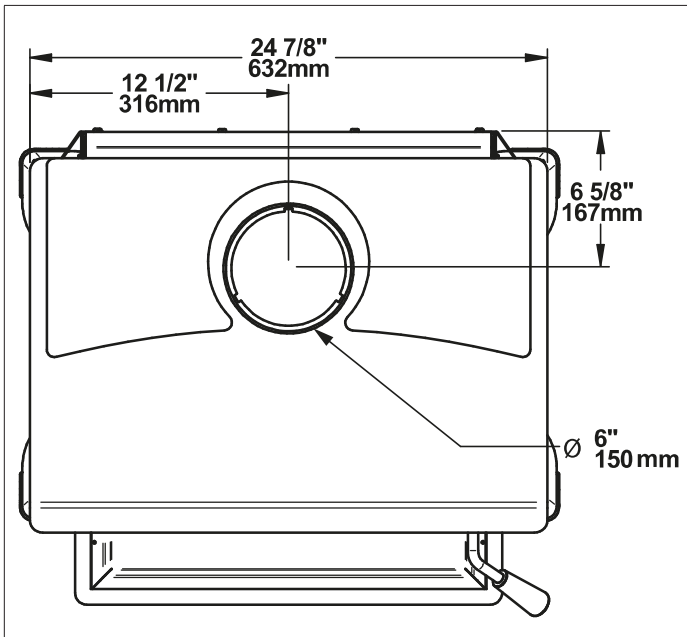


Figure 1: Top View

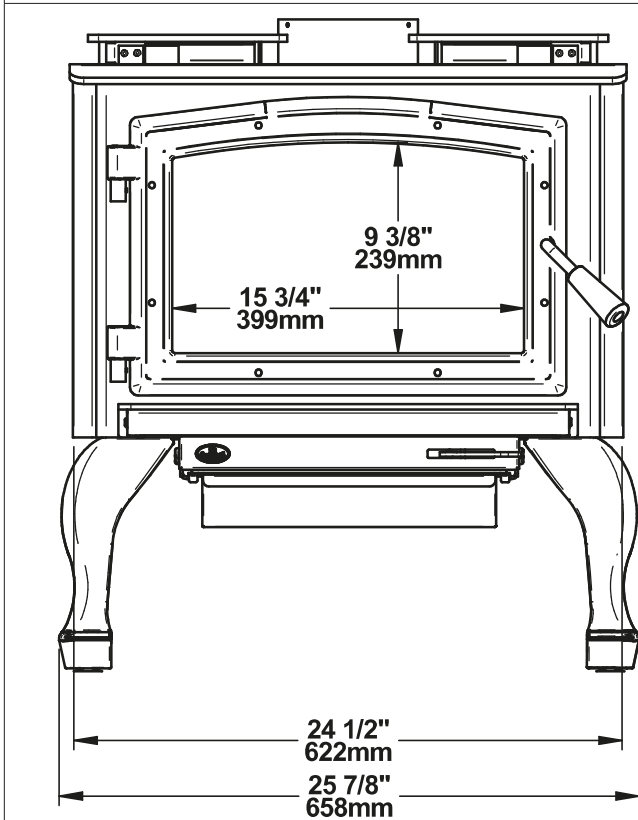


Figure 2: Front View

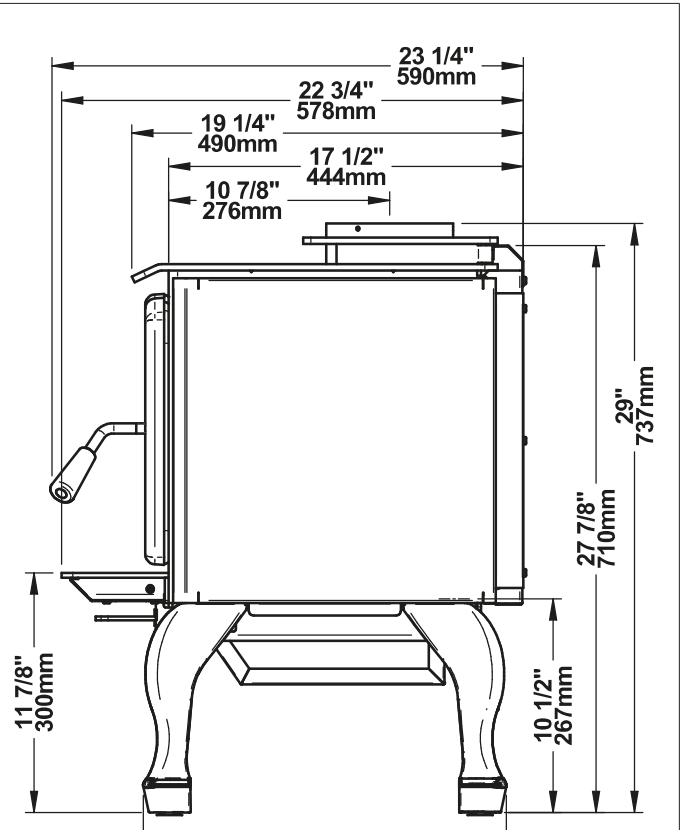


Figure 3: Side View

2.3.2 Stove Dimensions with Structural Legs

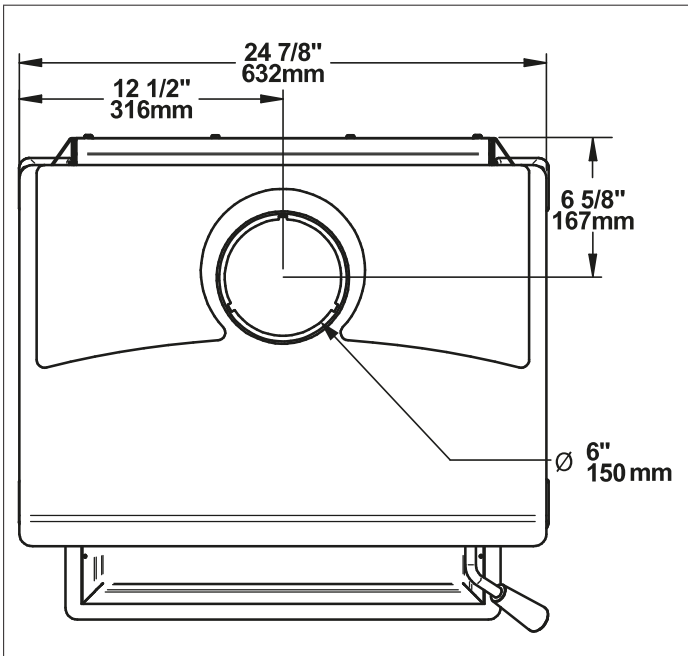


Figure 4: Top View

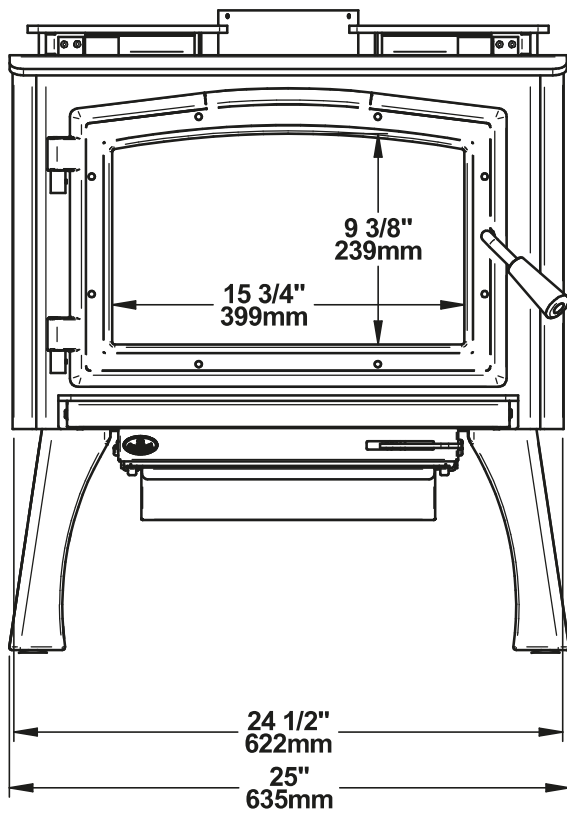


Figure 5: Front View

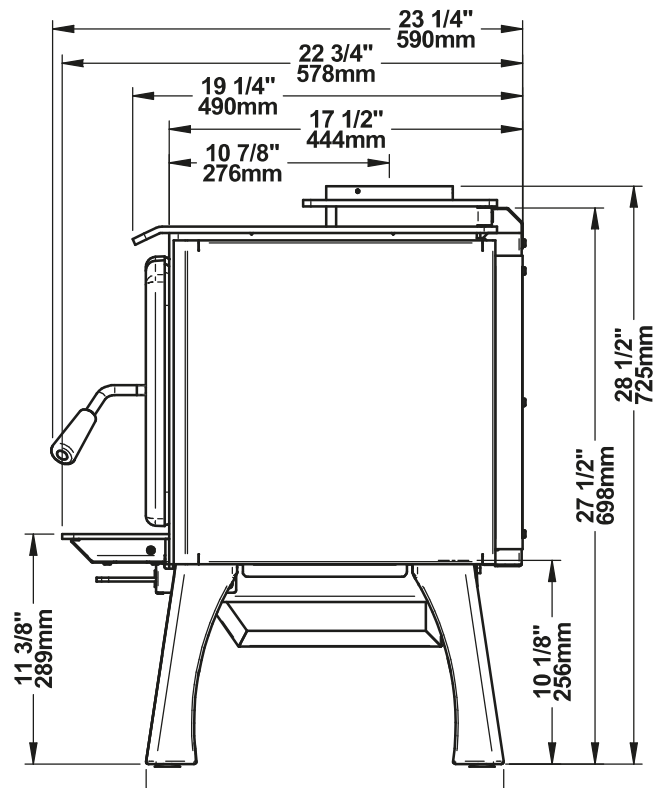


Figure 6: Side View

ENGLISH

2.3.3 Dimensions with pedestal

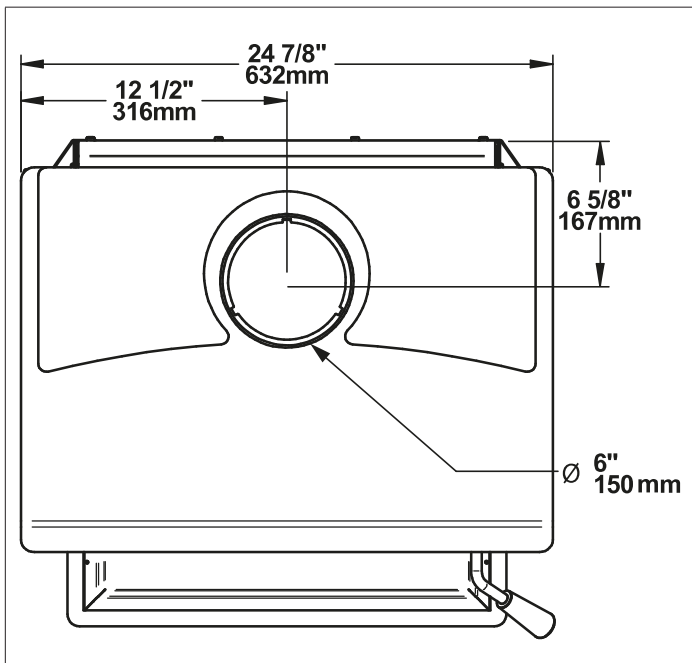


Figure 7: Top View

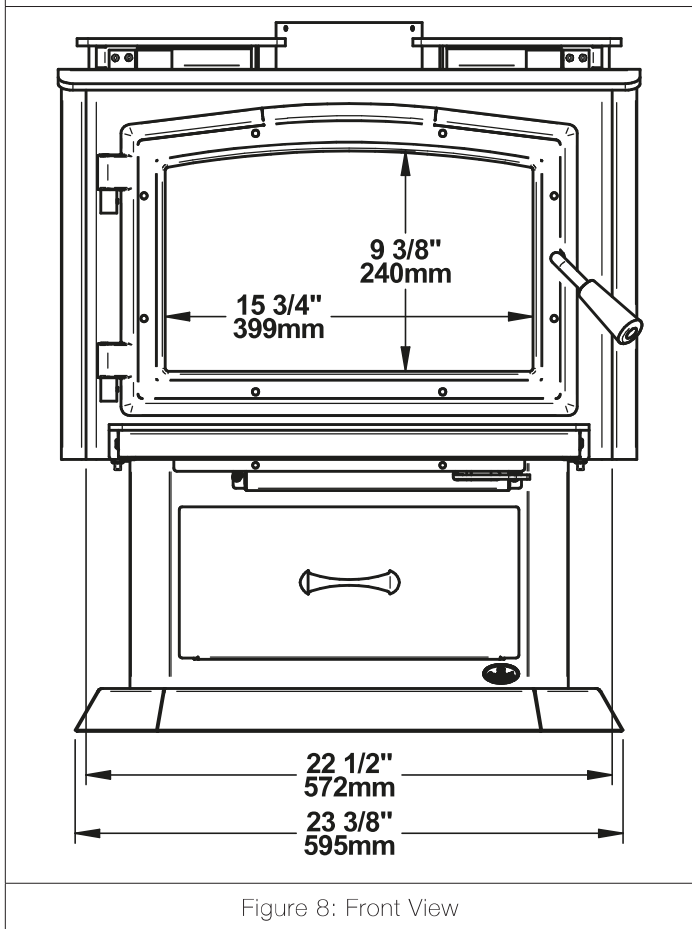


Figure 8: Front View

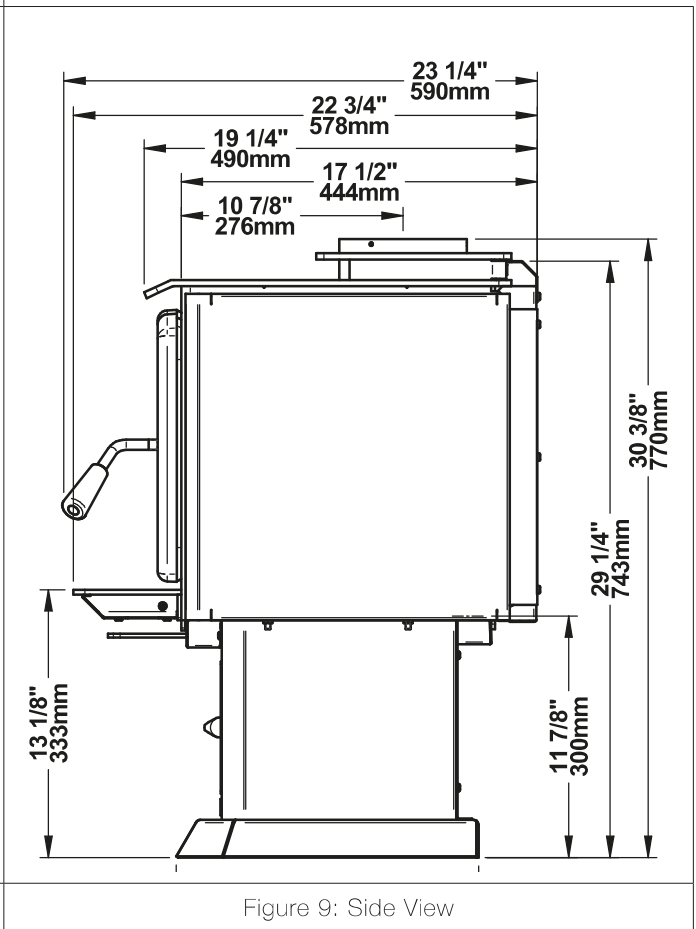


Figure 9: Side View

ENGLISH

2.3.4 Combustion Chamber Dimensions

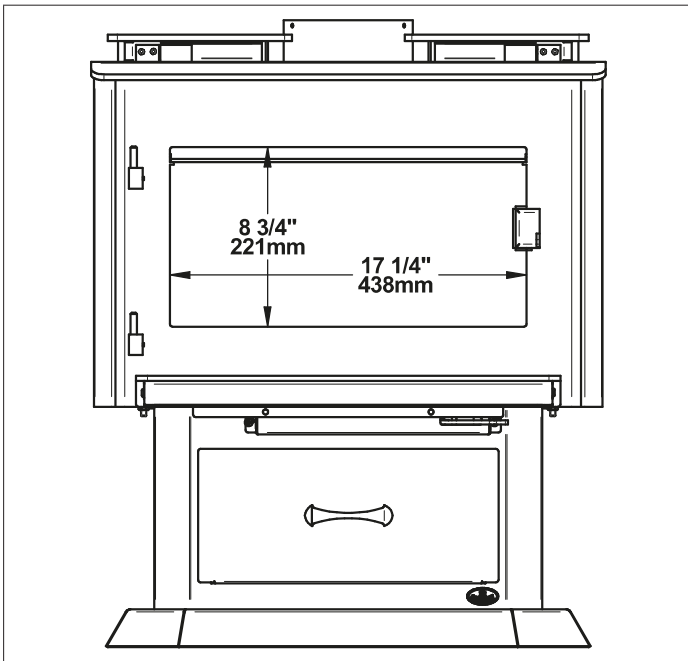


Figure 10: Door Opening

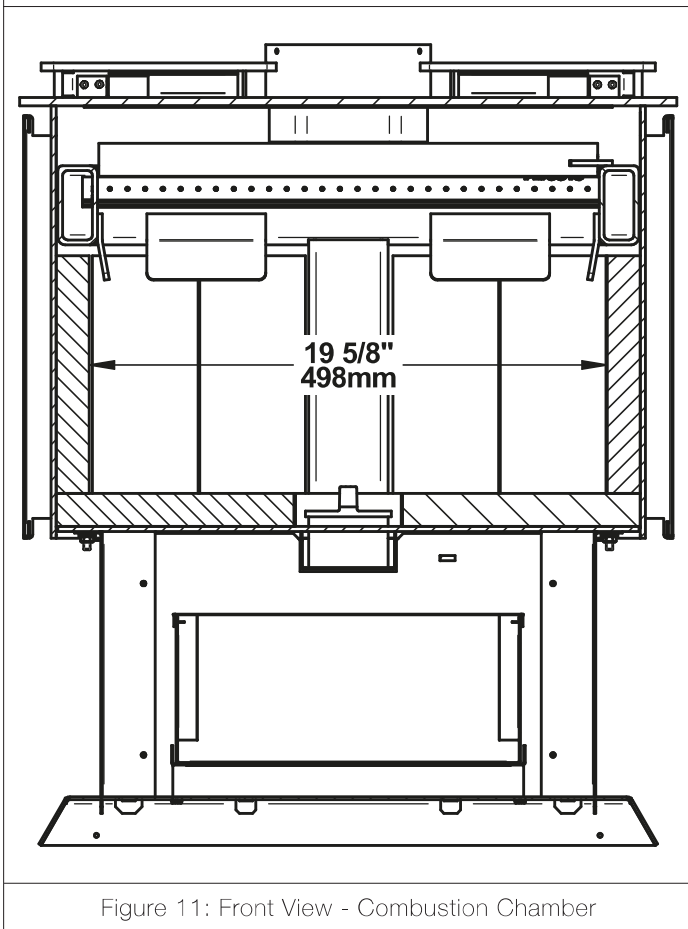


Figure 11: Front View - Combustion Chamber

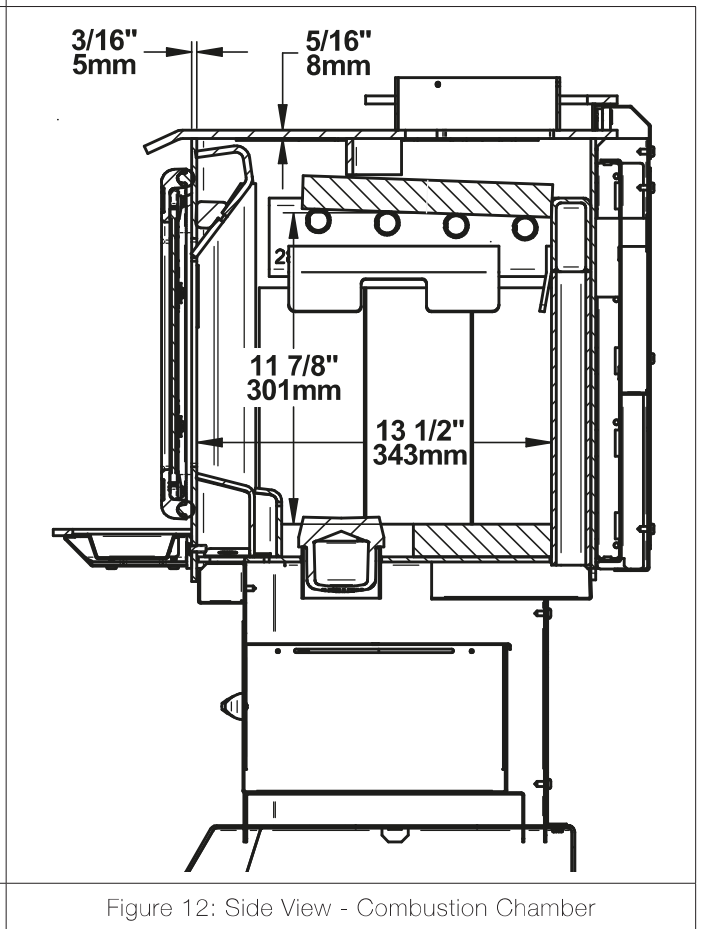


Figure 12: Side View - Combustion Chamber