



THE **OUTDOOR** PLUS



**INSTALLER:** Leave this manual with the appliance

**CONSUMER:** Retain this manual for future reference.

## TOP TORCHES

STAINLESS STEEL / CORTEN

OPT-TT(X)M

## SAFETY WARNINGS

**⚠ WARNING**

Improper installation, adjustment, alteration, service, or lack of maintenance can cause injury or property damage.

Read the installation, operating, and maintenance instructions thoroughly before installing or servicing this equipment.

**⚠ AVERTISSEMENT**

Une installation, un ajustement, une modification, une réparation ou un entretien inapproprié peuvent être la cause de blessures ou de dommages.

Veillez lire attentivement les instructions d'installation, d'utilisation et d'entretien avant d'installer ou de réparer ce matériel.

**⚠ WARNING**

Do not store or use gasoline, or other flammable vapors and liquids, in the vicinity of this or any other appliance.

An LP-cylinder not connected for use shall not be stored in the vicinity of this or any other appliance.

**⚠ AVERTISSEMENT**

Ne pas entreposer ne utiliser de l'essence ni d'autres vapeurs ou liquides inflammables dans le voisinage de l'appareil, ne de tout autre appareil. Une bouteille de propane qui n'est pas raccordee en vue de son utilisation, ne doit pas etre entreposee dans le voisiange de cet appariel ou de tout autre appareil.

**⚠ WARNING**

**FOR OUTDOOR USE ONLY.**

**⚠ AVERTISSEMENT**

**POUR USAGE A L'EXTERIEUR SEULEMENT.**

**⚠ WARNING**

For use with natural gas or liquid propane only.

Do not use charcoal or other solid fuel in gas burning appliances.

Do not use your fire feature for cooking.

Always adhere to the specified clearances listed in this manual.

Never allow clothing or other flammable materials come in contact with any hot surface until it has fully cooled.

Never wear loose fitting or hanging garments while using your fire pit. Fabric may ignite and result in personal injury.

**⚠ AVERTISSEMENT**

Pour utilisation avec du gaz naturel ou du propane liquide seulement.

N'utilisez pas de charbon de bois ou d'autres combustibles solides dans les appareils à gaz.

N'utilisez pas votre caractéristique de feu pour cuisiner.

Respectez toujours les dégagements spécifiés dans ce manuel.

Ne laissez jamais des vêtements ou d'autres matériaux inflammables entrer en contact avec une surface chaude avant d'avoir complètement refroidi

Ne portez jamais de vêtements amples ou suspendus lorsque vous utilisez votre foyer. Le tissu peut s'enflammer et entraîner des blessures.

## SAFETY WARNINGS

**⚠ WARNING****If you smell gas:**

- > Shut off gas to the appliance
- > Extinguish any open flame
- > If odor continues, keep away from the appliance and immediately call your gas supplier or fire department.

**⚠ AVERTISSEMENT****Si l'y une odeur de gaz:**

- > Coupez l'admission de gaz de l'appareil.
- > Éteindre toute flamme nue.
- > Si l'odeur persiste, éloignez-vous de l'appareil et appelez immédiatement le fournisseur de gaz ou le service d'incendie.

**⚠ WARNING**

For use with natural gas or liquid propane only.

Do not use charcoal or other solid fuel in gas burning appliances.

Do not use your fire feature for cooking.

Always adhere to the specified clearances listed in this manual.

Never allow clothing or other flammable materials come in contact with any hot surface until it has fully cooled.

Never wear loose fitting or hanging garments while using your fire pit. Fabric may ignite and result in personal injury.

**⚠ AVERTISSEMENT**

Pour utilisation avec du gaz naturel ou du propane liquide seulement.

N'utilisez pas de charbon de bois ou d'autres combustibles solides dans les appareils à gaz.

N'utilisez pas votre caractéristique de feu pour cuisiner.

Respectez toujours les dégagements spécifiés dans ce manuel.

Ne laissez jamais des vêtements ou d'autres matériaux inflammables entrer en contact avec une surface chaude avant d'avoir complètement refroidi

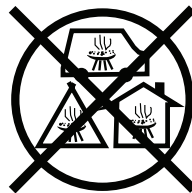
Ne portez jamais de vêtements amples ou suspendus lorsque vous utilisez votre foyer. Le tissu peut s'enflammer et entraîner des blessures.

**⚠ WARNING****Carbon Monoxide Hazard**

This appliance can produce carbon monoxide which has no odor.

Using it in an enclosed space can kill you.

Never use this appliance in enclosed space such as a camper, tent, car or home.

**⚠ AVERTISSEMENT****MONOXYDE DE CARBONE**

Cette appareil peut produire du monoxyde de carbone, un gaz inodore.

L'utilisation de cet appareil dan des espaces clos peut entraîner la mort.

Ne jamais utiliser cet appareil dans un espace clos comme un véhicule de camping, une tente, une automobile ou une maison.

## SAFETY WARNINGS

### WARNING

Installation must conform with local codes or, in the absence of local codes, with the National Fuel Gas Code, ANSI Z223.1 / NFPA 54, or International Fuel Gas Code.

The appliance, when installed, must be electrically grounded in accordance with local codes or, in the absence of local codes, with the National Electric Code, ANSI/NFPA 70, if applicable.

### WARNING

**California Proposition 65 Warning:** Chemicals known to the State of California to cause cancer, birth defects or other reproductive harm are found in and/or created by the combustion of natural gas, propane, butane and other fuels. Always operate this unit as described in the owner's manual and in well ventilated areas.

### DANGER

Propane gas source to the fire pit must be regulated.

Do not operate if regulator has been removed. Fire or explosion can occur.

### BURN HAZARD

While the fire unit is operating, the outside surface may reach high temperatures which may cause burns.

Never leave children unattended in the area where the fire unit is being used. Close supervision of children is necessary when any appliance is used near children. Never leave the fire pit unattended when in use.

Do not reach over your fire unit when hot or in use.

### SAFETY

Keep all electrical supply cords away from the heated areas of the fire pit.

Clothing or other flammable materials should not be hung from the appliance, or placed on or near the appliance.

## GENERAL INFORMATIONS

**Fuel Type** - Before making gas connections ensure appliance being installed is compatible with the available gas type. Check the label on the appliance to confirm appliance gas type requirement.

**Gas Pressure** - Proper input gas pressures are required for optimum appliance performance.

### GAS PRESSURE REQUIREMENTS

#### Natural Gas

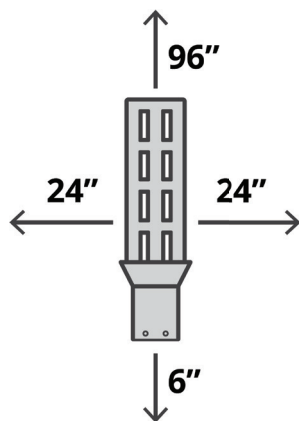
Minimum 3.5" W.C. - Nominal: 7.0" W.C. - Maximum 1/2" PSI (14.0" W.C.)

#### Liquid Propane:

Minimum 8.0" W.C. - Nominal: 11.0" W.C. - Maximum 1/2" PSI (14.0" W.C.)

### CLEARANCE FROM COMBUSTIBLES

**Warning** - Provide adequate clearance from combustibles as shown below.



### INSTALLATION & MAINTENANCE

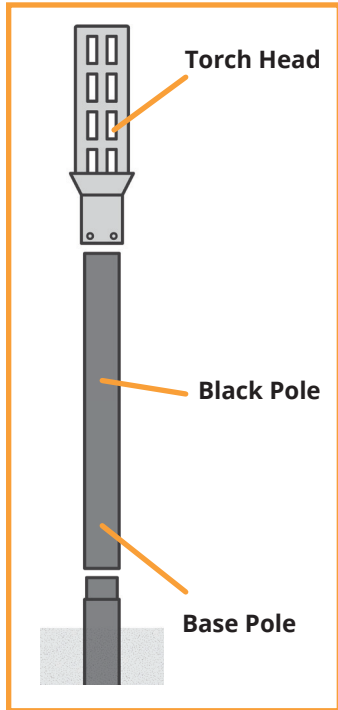
We suggest that our products be serviced by a professional certified in the U.S. By the National Fireplace Institute as a NFI Specialists



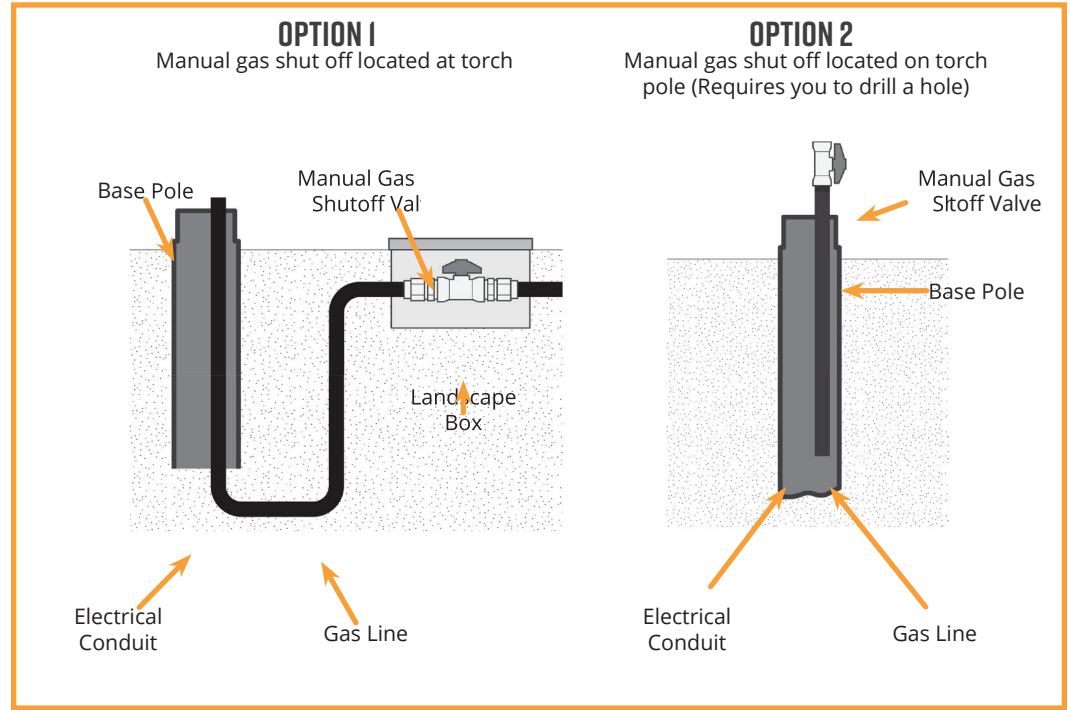
# INSTALLATION

**Note:** Installation should be done by a qualified service technician that is locally licensed.

## TIKI TORCH



## MANUAL SHUT OFF OPTIONS



## INSTALLATION OF BASE POLE

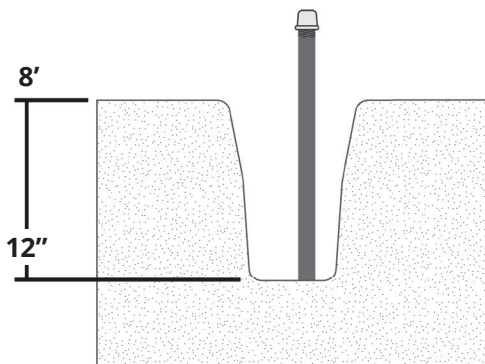


DIAGRAM 1

### STEP 1

Diagram 1 shows 1/2" gas stub stubbed up inside a hole. The hole is 12" deep.

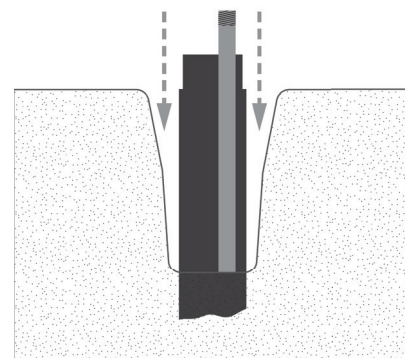


DIAGRAM 2

### STEP 2

Diagram 2 shows the Base Pole. Slide it over the Gas stub. Adjust the height of the Base Pole so that the tapered top end of the Base Pole ended up above grade. Do this to make the connection between the Base Pole and the Tiki Pole easier later on.

# INSTALLATION

## STEP 3

If you are installing the Manual Gas Shutoff on the Tiki Pole (Option 2 from page 7) first remove the handle from the Ball Valve and then install the ball valve on the  $\frac{1}{2}$ " gas riser as shown in diagram 3.

The use of pipe dope or Gas Teflon tape is highly recommended to prevent a possible gas leak.

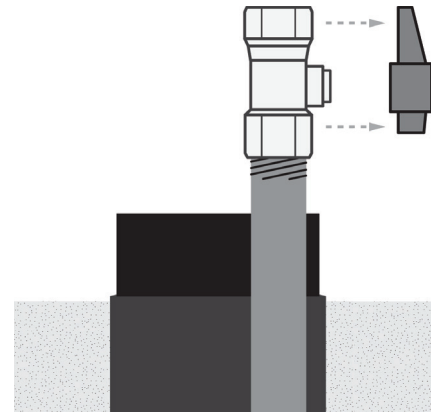


DIAGRAM 3

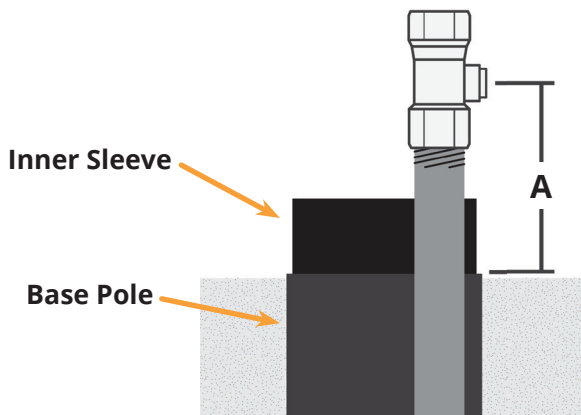


DIAGRAM 4

## STEP 4

Once the Manual Gas Shutoff is installed, measure from the center of the Gas Shutoff to the top of the Black Base Pole. This dimension we shall refer to as measurement "A". See diagram 4

## STEP 5

Temporarily install the longer pole and measure from the seam between the Base Pole and the top of the long tiki pole. This dimension we will refer to as measurement "B".

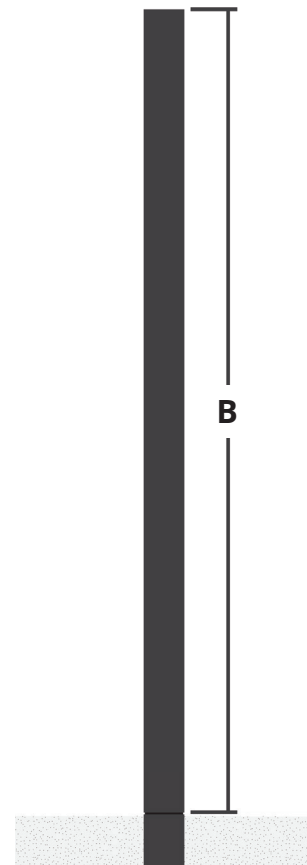


DIAGRAM 5

# INSTALLATION

## STEP 6

Install  $\frac{1}{2}$ " gas hose to your gas riser (or manual gas shutoff valve) so that the end of the  $\frac{1}{2}$ " gas line is 1" SHORTER than the pole (measurement "B" from the previous page)

In addition, bring the wires previously installed up along the gas line and tape it to the gas line in anticipation of installing the longer tiki pole.

## STEP 7

As shown in diagram 6, Measure from the bottom of the long tiki pole up to measurement "A" and mark the pole. Then drill a 1" diameter hole in the side of the pole for the Manual Gas Shutoff Valve.

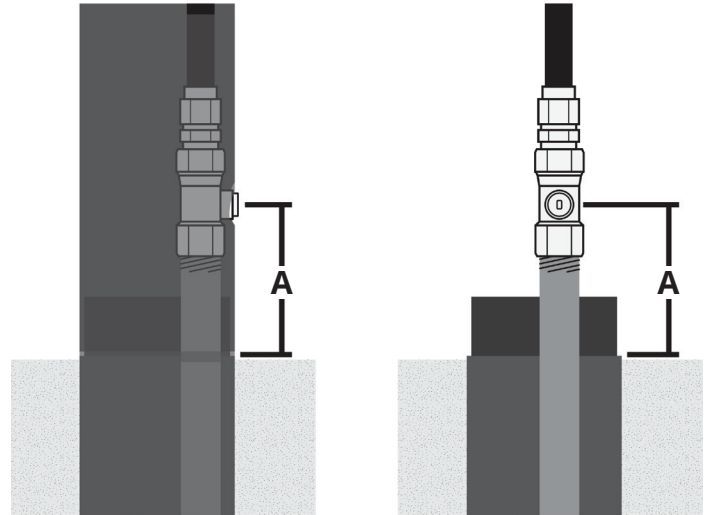


DIAGRAM 6

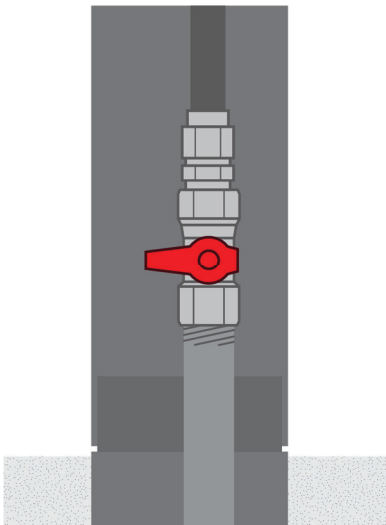


DIAGRAM 7

## STEP 9

Next install the Manual Gas Shutoff Valve as shown in diagram 7.



# INSTALLATION THE TORCH HEAD

## STEP 9

Connect the gas line to the head of the tiki torch.  
Do NOT use pipe dope or plumbers tape on flared connections. Ensure connections are tight to prevent any gas leaks.

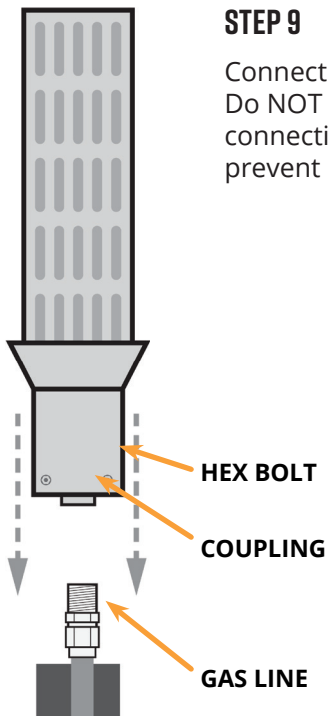


DIAGRAM 9

## STEP 10

Insert the pole into the torch head.  
Secure by tightening the 3 set screws in the base of the torch head.  
See diagram 10.

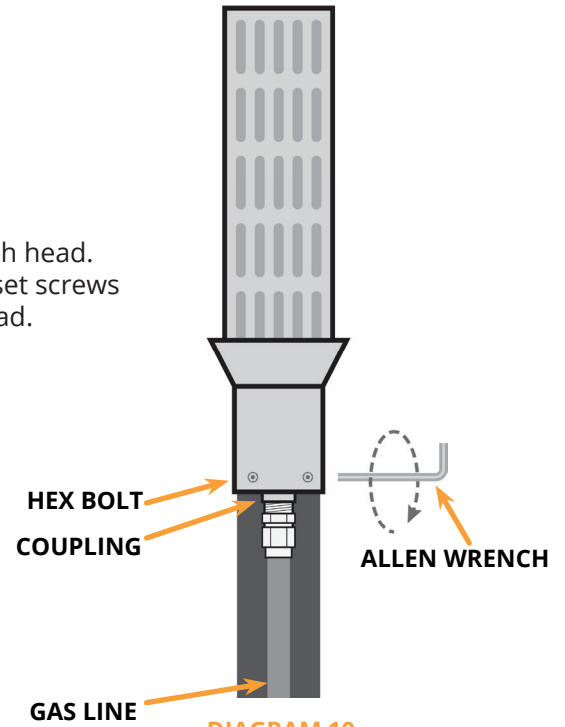


DIAGRAM 10

## FIRE PIT OPERATION

**WARNING:** before use, be sure to test all gas connections for leaks. Do not use torches if there is any evidence of leaking gas. If leaking gas suspected, turn off the main gas supply and repair immediately.

**WARNING:** Wind and gusty conditions will affect the flame in an unpredictable manner. If conditions exist that are not safe for patrons, turn the torches off.

**WARNING:** solid fuels shall not be burned in the fire pit. Leaves, sticks, wood, paper, clothing, food material, should be kept away from the fire pit. Fire pit is not for cooking. Make sure that there is no vegetation or other objects over the top or sides of the fire pit that could interfere with safe operation. See clearances at the end of this document

**WARNING:** when torch is not in operation turn off gas valve.

**IMPORTANT:** Initial Start Up: It may be necessary to purge air in gas lines after system installation.

### START UP

- › STOP! Read the safety information on “What to do if you smell gas. (Pg. 4)
- › Ensure torch is clear of people, debris, that all covers are removed and the feature is safe to start.
- › Place long handled lighter or match while burning on top or in the torch.
- › Slowly turn “ON” gas valve
- › After torch ignites, remove lighter or match.
- › Adjust flame to desired height
- › If the torch does not ignite, turn valve off and allow gas to clear the repeat steps 3-7.
- › Never alter the design of the torch
- › Ensure torch, children and patrons are supervised by a responsible adult that is familiar with emergency shut down.
- › Flammable materials should not be placed on or near the fire pit.

### SHUT DOWN

- › Turn “OFF” gas valve.

## MAINTENANCE

**WARNING:** Installation and repair should be done by a qualified service person. Fire feature should be inspected prior to use and at least annually by a qualified service person.

**WARNING:** Ensure gas and power (if applicable) are shut off and fire pit is cool before servicing.

- › Keep any debris out of the burning area, clean as needed.

## TROUBLE SHOOTING

Below are some potential causes and countermeasures to the symptoms indicated in bold. If still unable to resolve issue, please contact your retailer or certified technician.

### Will Not Light

Air in gas line	If new install, may take several attempts to purge air
Debris n gas line	Confirm gas line is clear (insulation, dirt, plastic, excessive pipe sealer etc..)
Improper gas pressure	Confirm proper gas pressure found

### Will Not Stay Lit

Improper gas pressure	Confirm proper gas pressure found (Section 1)
Improperly applied media	Review media

### Noise

Whistling Sound	Change flex line routing. Confirm whistle free lines are being used.
-----------------	--

## ONE YEAR LIMITED WARRANTY

The Outdoor Plus Company (TOP) warrants their fire pits and fire pit components against manufacturing defects that prevent safe and correct function as follows:

- › Electronics, Gas Valve, & Pilot Assembly: Commercial-6mos; Residential- 1 yr.
- › Stainless Steel Pan, Fire Ring, & Valve Box: Commercial-1yr.; Residential 3yrs.
- › This warranty is non-transferable.
- › Decorative stones and decorative glass are not covered by this warranty.
- › Warranty is void if the components have been subject to but not limited to negligence, alteration, misuse, and/or prohibited applications.
- › Natural gas lines must be installed by a licensed plumber only or local gas company agent.

If a part proves to be defective under normal use, the part will be repaired or replaced. Our obligation under this warranty is to repair or replace defective parts at our discretion. If we determine that repair of a covered item is not feasible, we reserve the right to replace the defective merchandise with merchandise equal in value to the original purchase price. Warranty repair or replacement are the sole discretion of The Outdoor Plus and this warranty does not cover costs therein, including but not limited to: freight, removal, re-installation, etc.

There will be no charge for parts on a covered item, however, cost of labor is the responsibility of the owner. Shipping and handling charges will apply to all warranted replacement parts. The service agent may assess a reasonable travel or mileage charge per service call.

For more information regarding the warranty please send any questions to [sales@theoutdoorplus.com](mailto:sales@theoutdoorplus.com).

## CLEARANCE FROM COMBUSTIBLES

### Fire Pit Clearances from Structures and Combustibles

Under Valve Box When Applicable - 2" For Drainage

Open flame to Floor - 18"

Sides Surrounding Fire Pit - 48"

Overhead Clearance - 96"

