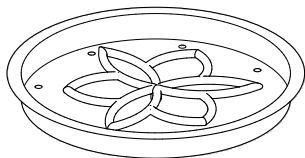
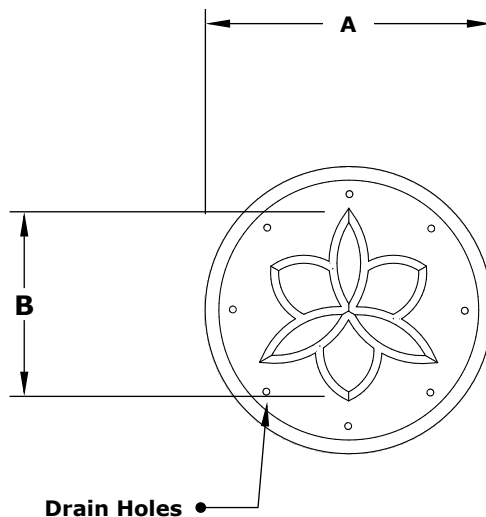


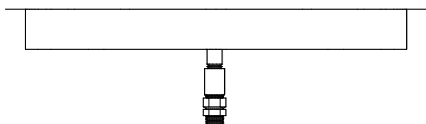
ROUND DROP IN PAN & LOTUS BURNER MATCH LIT IGNITION



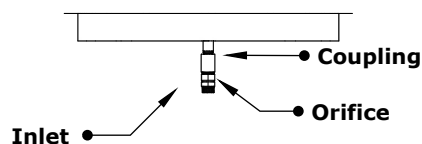
ISOMETRIC VIEW



TOP VIEW



RIGHT SIDE VIEW



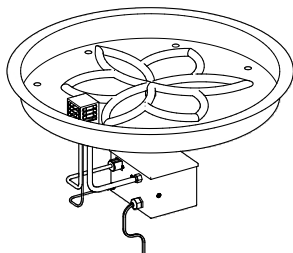
FRONT SIDE VIEW

SKU	A	B	INLET	BTU
OPT-PBRLF19	19"	12"	1/2"	90,000
OPT-PBRLF25	25"	18"	1/2"	115,000
OPT-PBRLF31	31"	24"	1/2"	175,000
OPT-PBRLF37	37"	30"	3/4"	220,000
OPT-PBRLF43	43"	36"	3/4"	265,000

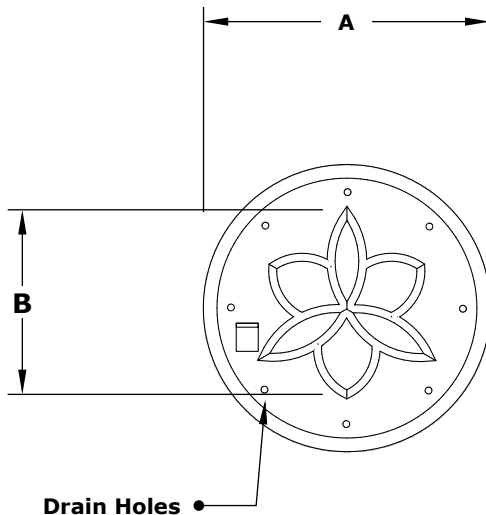
Pan Material: Aluminum
 Burner Material: Stainless Steel
 Ignition Type: Match Lit

Includes: Pan, Burner, Electronic Valve.

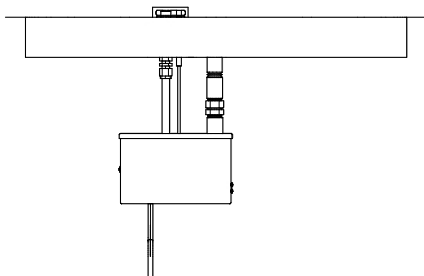
ROUND DROP IN PAN & LOTUS BURNER 12V ELECTRONIC IGNITION



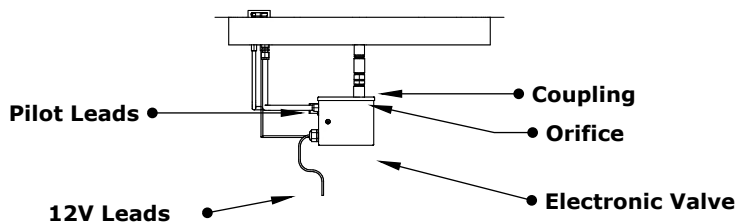
ISOMETRIC VIEW



TOP VIEW



RIGHT SIDE VIEW



FRONT SIDE VIEW

SKU	A	B	INLET	BTU
OPT-PBRLF19E12	19"	12"	1/2"	90,000
OPT-PBRLF25E12	25"	18"	1/2"	115,000
OPT-PBRLF31E12	31"	24"	1/2"	175,000
OPT-PBRLF37E12	37"	30"	3/4"	220,000
OPT-PBRLF43E12	43"	36"	3/4"	265,000

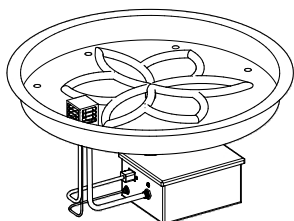
Pan Material: Aluminum
 Burner Material: Stainless Steel
 Ignition Type: 12V Electronic Ignition
 (12V Transformer Included)



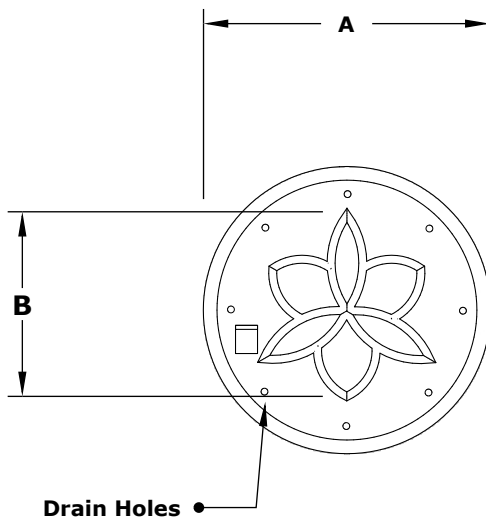
12V ELECTRONIC IGNITION
 ANSI Z21.97-(2017) / CSA 2.41-(2017)

Includes: Pan, Burner, Electronic Valve,
 Pilot Igniter, 12V Transformer.

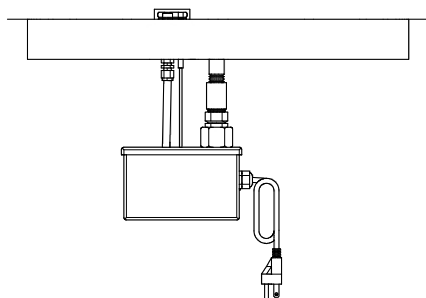
ROUND DROP IN PAN & LOTUS BURNER 110V ELECTRONIC IGNITION



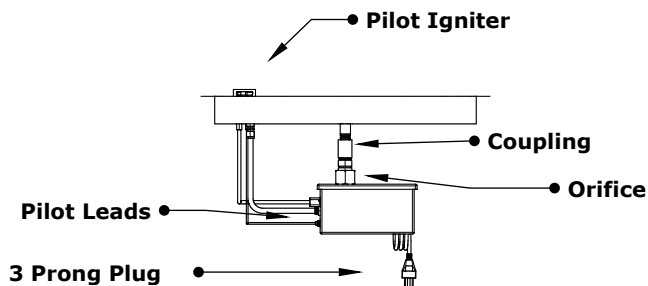
ISOMETRIC VIEW



TOP VIEW



RIGHT SIDE VIEW



FRONT SIDE VIEW

SKU	A	B	INLET	BTU
OPT-PBRLF19E110	19"	12"	1/2"	90,000
OPT-PBRLF25E110	25"	18"	1/2"	115,000
OPT-PBRLF31E110	31"	24"	1/2"	175,000
OPT-PBRLF37E110	37"	30"	3/4"	220,000
OPT-PBRLF43E110	43"	36"	3/4"	265,000

Pan Material: Aluminum
 Burner Material: Stainless Steel
 Ignition Type: 110V Electronic Ignition
 (110V Transformer Included)

SP **110V ELECTRONIC IGNITION**
 c us ANSI Z21.97-(2017) / CSA 2.41-(2017)

Includes: Pan, Burner, Electronic Valve,
 Pilot Igniter, 110V Transformer.