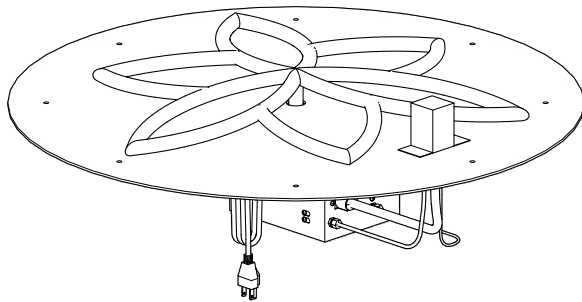
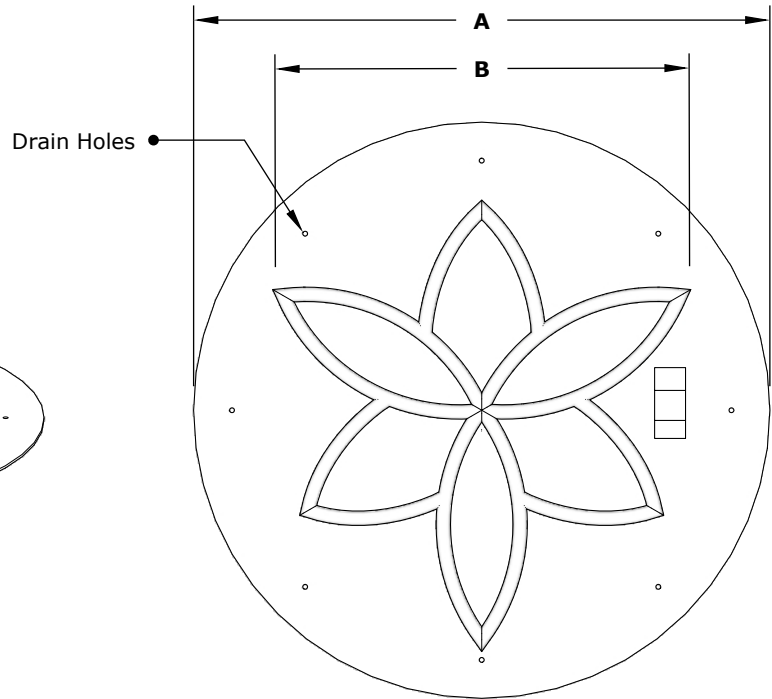


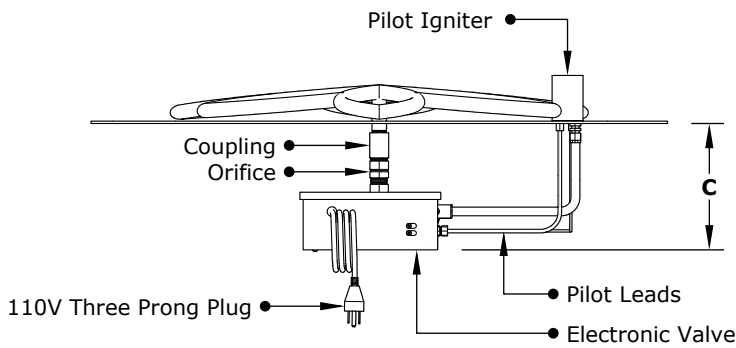
# ROUND FLAT PAN & LOTUS BURNERS 110V ELECTRONIC IGNITION



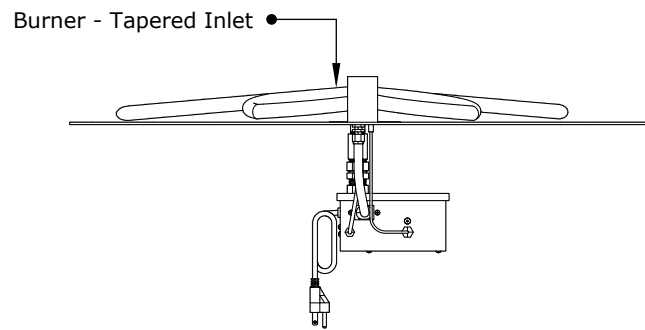
**ISOMETRIC VIEW**



**TOP VIEW**



**RIGHT SIDE VIEW**



**FRONT SIDE VIEW**

PART NUMBER	A	B	C	INLET	BTU
OPT-FRLB18E110	18"	12"	8"	1/2"	60,000
OPT-FRLB24E110	24"	18"	8"	1/2"	120,000
OPT-FRLB30E110	30"	24"	8"	1/2"	190,000
OPT-FRLB36E110	36"	30"	8"	3/4"	260,000
OPT-FRLB42E110	42"	36"	8"	3/4"	340,000
OPT-FRLB48E110	48"	36"	8"	3/4"	340,000

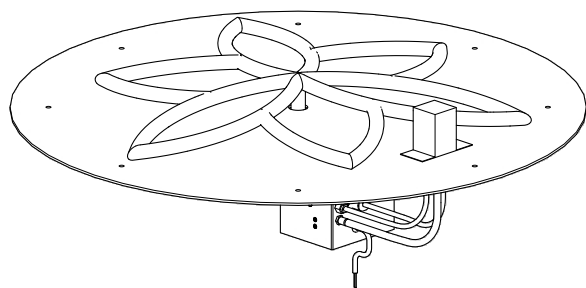
Pan Material: 304 Stainless Steel  
 Burner Material: 304 Stainless Steel  
 Ignition Type: 110V Electronic Ignition

**110V ELECTRONIC IGNITION**  
 ANSI Z21.97-(2017) / CSA 2.41-(2017)

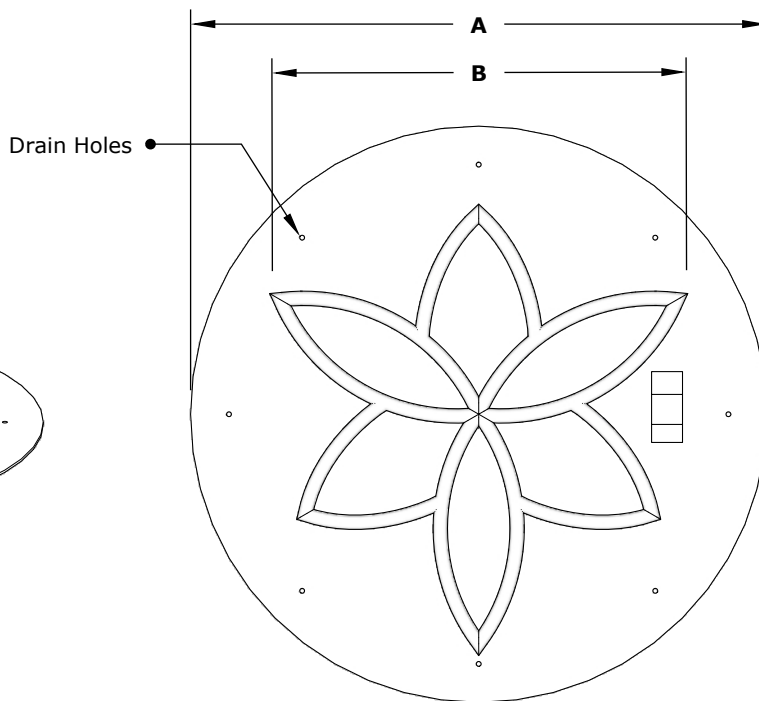


Includes: Pan, Burner, Gas Orifice, 110v Electronic Valve, Pilot Igniter

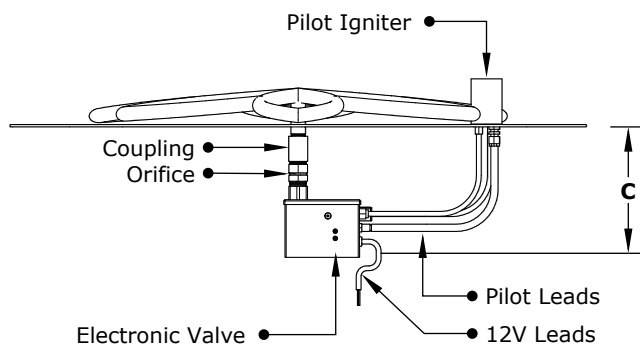
# ROUND FLAT PAN & LOTUS BURNERS 12V ELECTRONIC IGNITION



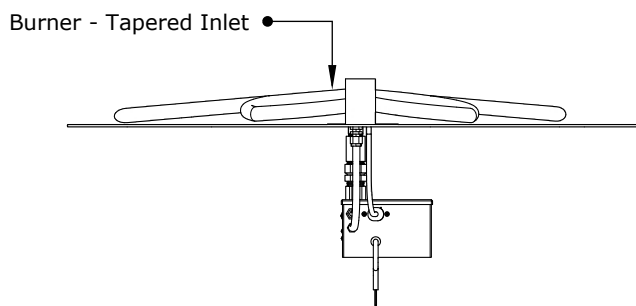
**ISOMETRIC VIEW**



**TOP VIEW**



**RIGHT SIDE VIEW**



**FRONT SIDE VIEW**

PART NUMBER	A	B	C	INLET	BTU
OPT-FRLB18E12	18"	12"	8"	1/2"	60,000
OPT-FRLB24E12	24"	18"	8"	1/2"	120,000
OPT-FRLB30E12	30"	24"	8"	1/2"	190,000
OPT-FRLB36E12	36"	30"	8"	3/4"	260,000
OPT-FRLB42E12	42"	36"	8"	3/4"	340,000
OPT-FRLB48E12	48"	36"	8"	3/4"	340,000

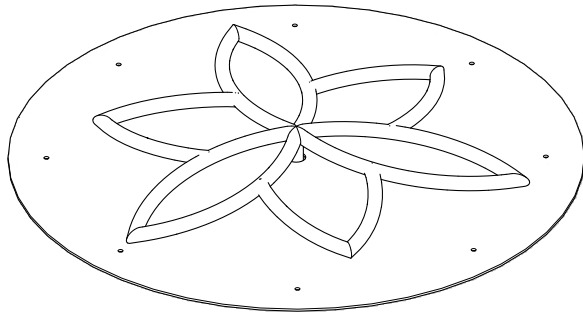
Pan Material: 304 Stainless Steel  
 Burner Material: 304 Stainless Steel  
 Ignition Type: 12V Electronic Ignition  
 (12V Transformer Included)

**12V ELECTRONIC IGNITION**  
 ANSI Z21.97-(2017) / CSA 2.41-(2017)

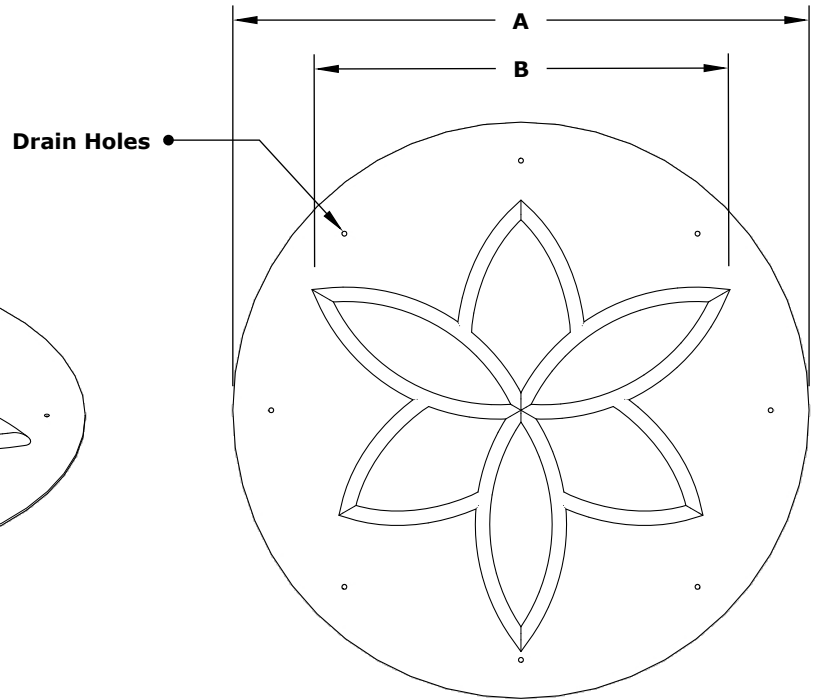


Includes: Pan, Burner, Gas Orifice, 12v Electronic Valve, Pilot Igniter, 12v Control Panel

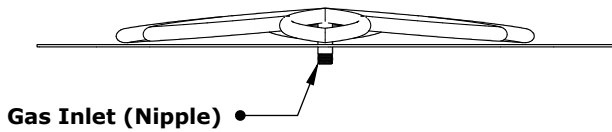
# ROUND FLAT PAN & LOTUS BURNERS MATCH LIT



**ISOMETRIC VIEW**



**TOP VIEW**



**RIGHT SIDE VIEW**

PART NUMBER	A	B	INLET	BTU
OPT-FRLB18	18"	12"	1/2"	60,000
OPT-FRLB24	24"	18"	1/2"	120,000
OPT-FRLB30	30"	24"	1/2"	190,000
OPT-FRLB36	36"	30"	3/4"	260,000
OPT-FRLB42	42"	36"	3/4"	340,000
OPT-FRLB48	48"	36"	3/4"	340,000

Pan Material: 304 Stainless Steel  
 Burner Material: 304 Stainless Steel  
 Ignition: Match Lit  
 Includes: Pan, Burner