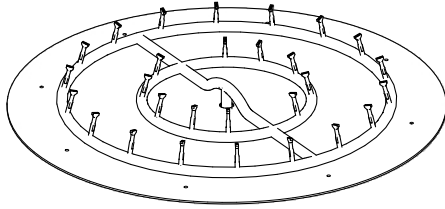
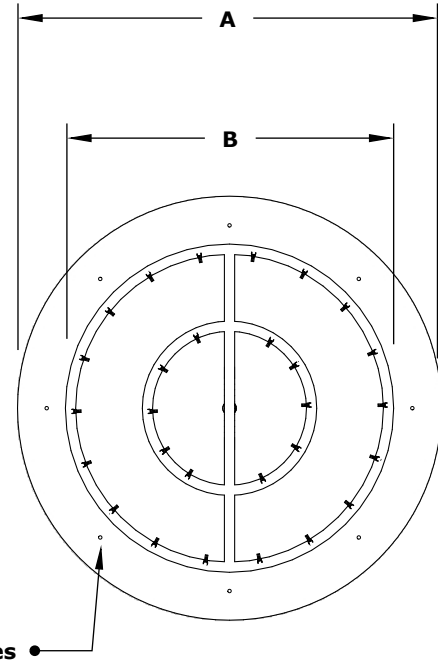


ROUND FLAT PAN & ROUND BULLET BURNER MATCH LIT IGNITION

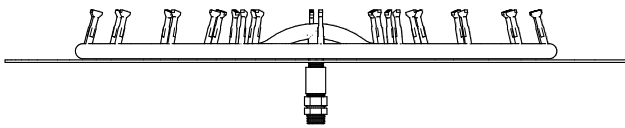


ISOMETRIC VIEW

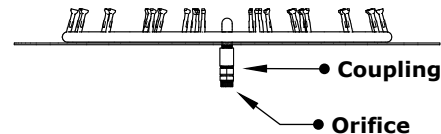


Drain Holes ●

TOP VIEW



RIGHT SIDE VIEW



FRONT SIDE VIEW

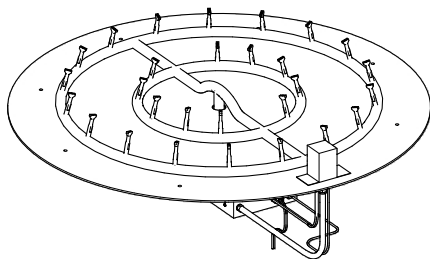
Stainless Steel	A	B	INLET	BTU
OPT-BFP18RDSS	18"	8" (1R)	1/2"	65,000
OPT-BFP182RDSS	18"	12" (1R)	1/2"	100,000
OPT-BFP24RDSS	24"	18" (2R)	1/2"	225,000
OPT-BFP30RDSS	30"	24" (2R)	3/4"	275,000
OPT-BFP36RDSS	36"	30" (3R)	3/4"	460,000
OPT-BFP48RDSS	48"	36" (3R)	3/4"	525,000
OPT-BFP48RDSS	60"	48" (4R, M)	3/4"	850,000

R= Ring M = Manifold

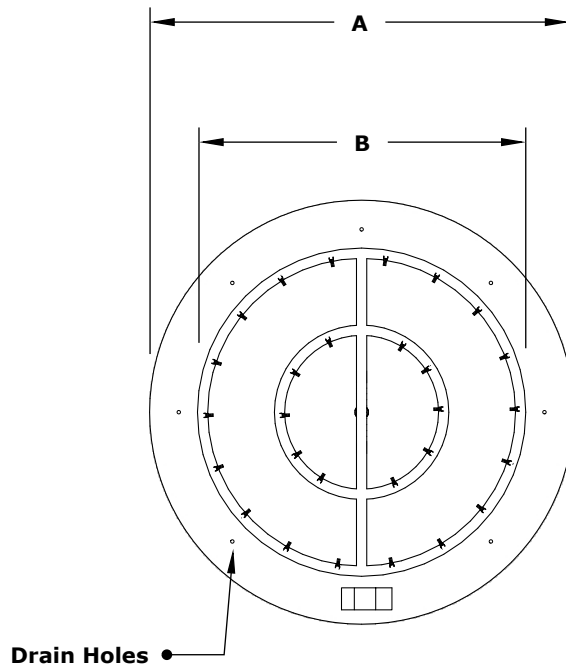
Pan Material: Aluminum
Burner Material: Brass / Stainless Steel
Ignition Type: Match Lit

Includes: Pan, Burner, Electronic Valve.

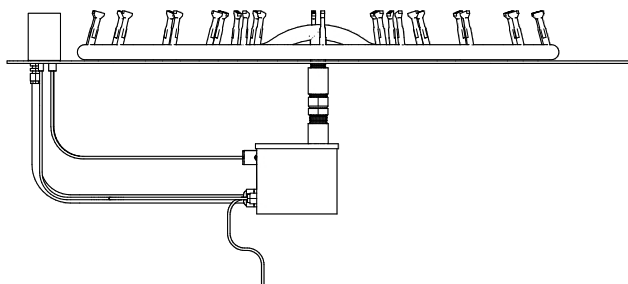
ROUND FLAT PAN & ROUND BULLET BURNER 12V ELECTRONIC IGNITION



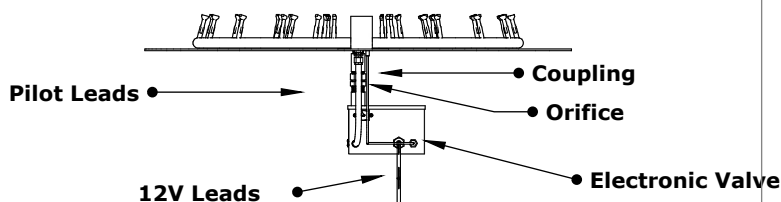
ISOMETRIC VIEW



TOP VIEW



RIGHT SIDE VIEW



FRONT SIDE VIEW

Stainless Steel	A	B	INLET	BTU
OPT-BFP18RDSSE12	18"	8" (1R)	1/2"	65,000
OPT-BFP182RDSSE12	18"	12" (1R)	1/2"	100,000
OPT-BFP24RDSSE12	24"	18" (2R)	1/2"	225,000
OPT-BFP30RDSSE12	30"	24" (2R)	3/4"	275,000
OPT-BFP36RDSSE12	36"	30" (3R)	3/4"	460,000
OPT-BFP48RDSSE12	48"	36" (3R)	3/4"	525,000
OPT-BFP48RDSSE12	60"	48" (4R, M)	3/4"	850,000

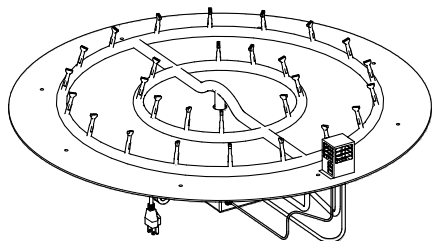
Pan Material: Aluminum
 Burner Material: Brass / Stainless Steel
 Ignition Type: 12V Electronic Ignition
 (12V Transformer Included)



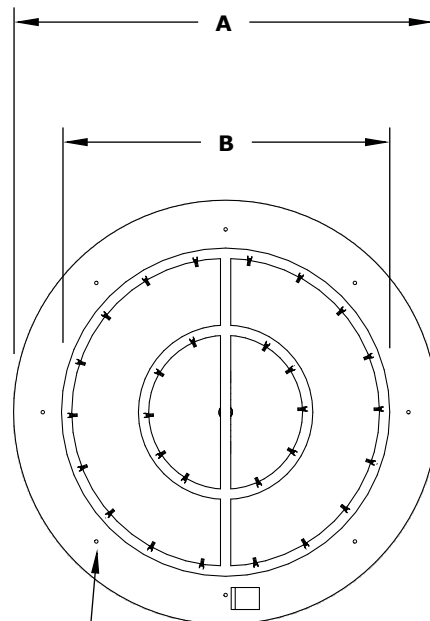
Includes: Pan, Burner, Electronic Valve,
 Pilot Igniter, 12V Transformer.

R= Ring M = Manifold

ROUND FLAT PAN & ROUND BULLET BURNER 110V ELECTRONIC IGNITION

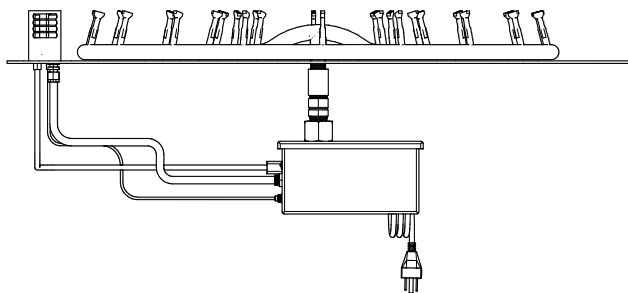


ISOMETRIC VIEW

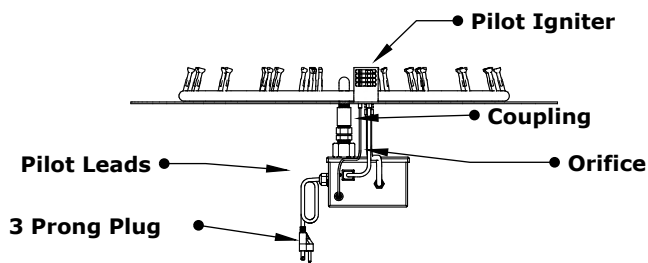


Drain Holes

TOP VIEW



RIGHT SIDE VIEW



FRONT SIDE VIEW

Stainless Steel	A	B	INLET	BTU
OPT-BFP18RDSSE110	18"	8" (1R)	1/2"	65,000
OPT-BFP182RDSSE110	18"	12" (1R)	1/2"	100,000
OPT-BFP24RDSSE110	24"	18" (2R)	1/2"	225,000
OPT-BFP30RDSSE110	30"	24" (2R)	3/4"	275,000
OPT-BFP36RDSSE110	36"	30" (3R)	3/4"	460,000
OPT-BFP48RDSSE110	48"	36" (3R)	3/4"	525,000
OPT-BFP48RDSSE110	60"	48" (4R, M)	3/4"	850,000

Pan Material: Aluminum
 Burner Material: Brass / Stainless Steel
 Ignition Type: 110V Electronic Ignition
 (110V Transformer Included)



110V ELECTRONIC IGNITION
 ANSI Z21.97-(2017) / CSA 2.41-(2017)

Includes: Pan, Burner, Electronic Valve,
 Pilot Igniter, 110V Transformer.

R= Ring M = Manifold