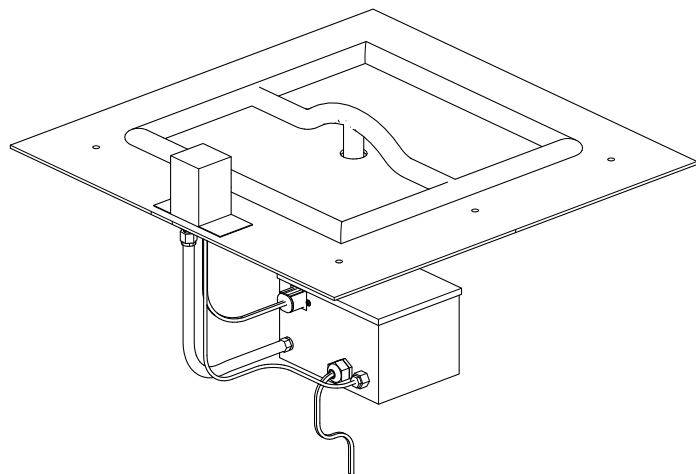
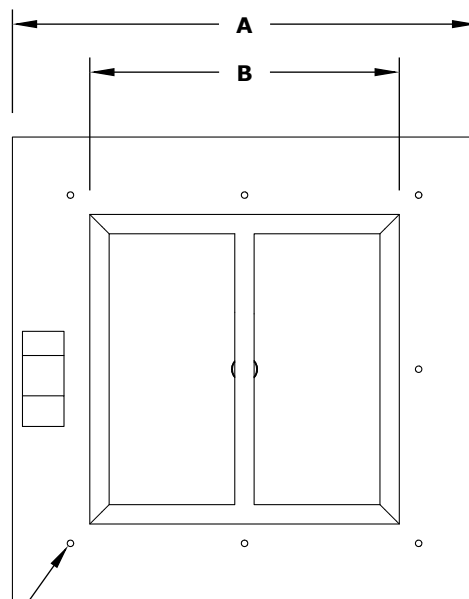


SQUARE FLAT PAN & SQUARE BURNERS 12V ELECTRONIC IGNITION

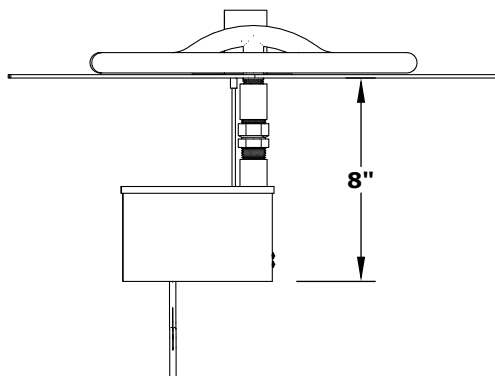


ISOMETRIC VIEW

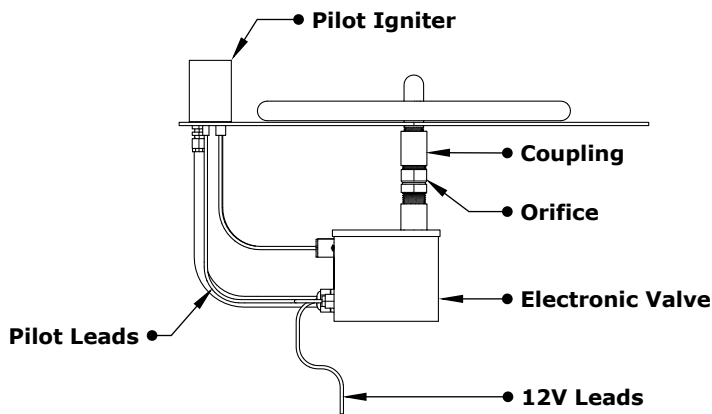


Drain Holes ●

TOP VIEW



RIGHT SIDE VIEW



FRONT SIDE VIEW

SKU	A	B	INLET	BTU
OPT-999BP16E12	16.5"	12"	1/2"	80,000
OPT-999BP18E12	18"	12"	1/2"	80,000

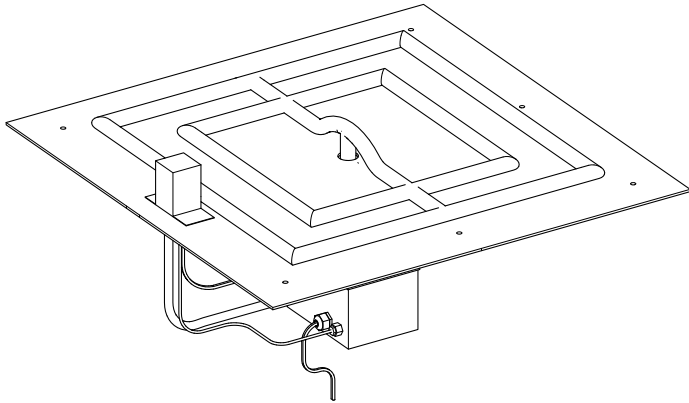
Includes: Pan, Burner, Electronic Valve, Pilot Igniter. 12V Transformer.

Pan Material: 304 Stainless Steel
Burner Material: 304 Stainless Steel
Ignition Type: 12V Electronic Ignition
(12V Transformer Included)

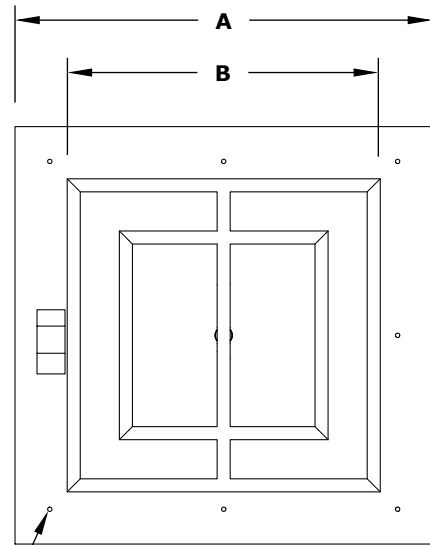
12V ELECTRONIC IGNITION
ANSI Z21.97-(2017) / CSA 2.41-(2017)



SQUARE FLAT PAN & SQUARE BURNERS 12V ELECTRONIC IGNITION

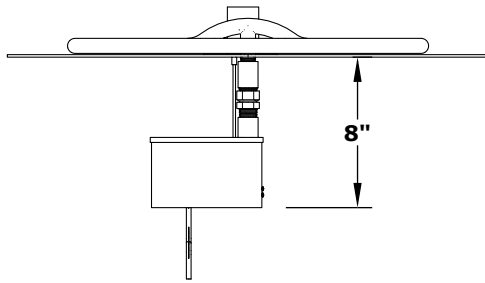


ISOMETRIC VIEW

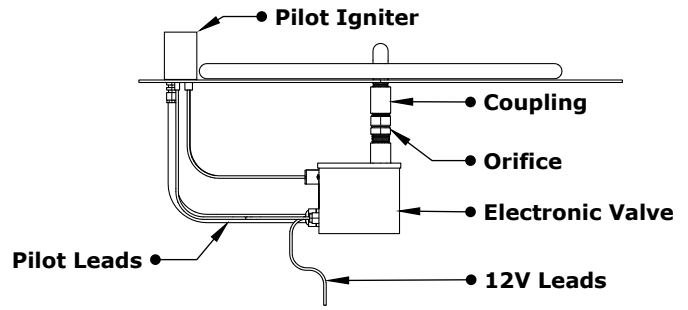


Drain Holes

TOP VIEW



RIGHT SIDE VIEW



FRONT SIDE VIEW

SKU	A	B	INLET	BTU
OPT-999BP24E12	24"	18"	1/2"	200,000
OPT-999BP30E12	30"	24"	1/2"	240,000

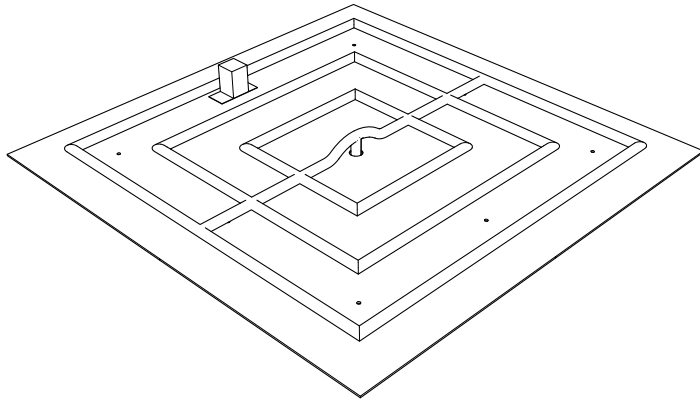
Includes: Pan, Burner, Electronic Valve, Pilot Igniter. 12V Transformer.

Pan Material: 304 Stainless Steel
Burner Material: 304 Stainless Steel
Ignition Type: 12V Electronic Ignition
(12V Transformer Included)

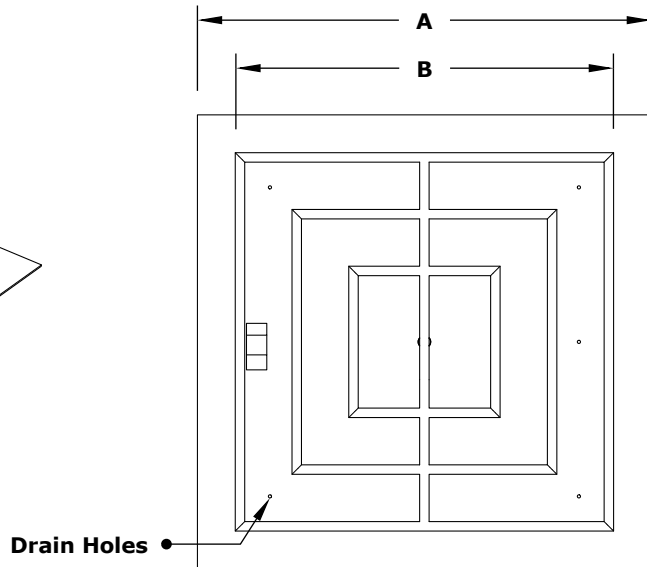
12V ELECTRONIC IGNITION
ANSI Z21.97-(2017) / CSA 2.41-(2017)



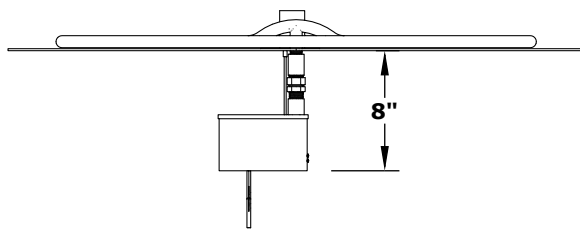
SQUARE FLAT PAN & SQUARE BURNERS 12V ELECTRONIC IGNITION



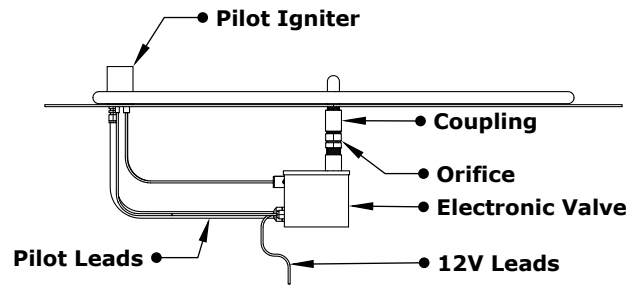
ISOMETRIC VIEW



TOP VIEW



RIGHT SIDE VIEW



FRONT SIDE VIEW

SKU	A	B	INLET	BTU
OPT-999BP36E12	36"	30"	3/4"	330,000
OPT-999BP48E12	48"	36"	3/4"	380,000

Includes: Pan, Burner, Electronic Valve, Pilot Igniter. 12V Transformer.

Pan Material: 304 Stainless Steel
 Burner Material: 304 Stainless Steel
 Ignition Type: 12V Electronic Ignition
 (12V Transformer Included)

12V ELECTRONIC IGNITION
 ANSI Z21.97-(2017) / CSA 2.41-(2017)

