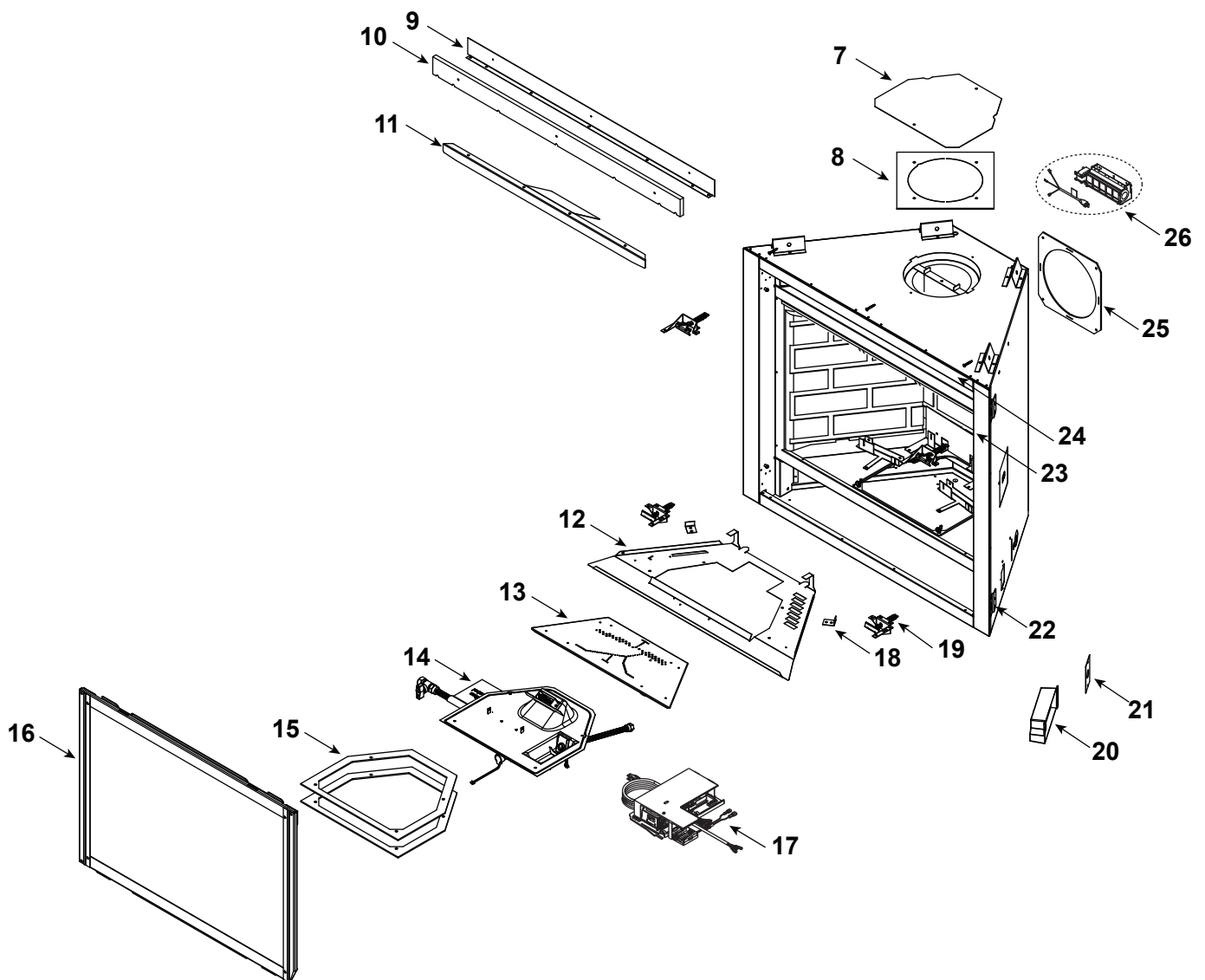
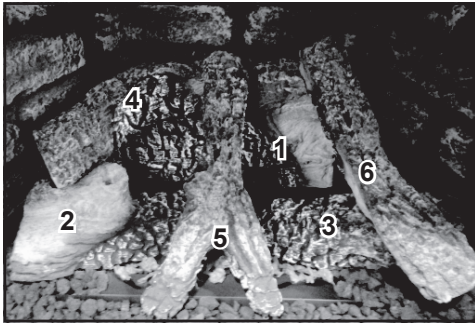


Log Set Assembly



Part number list on following page.

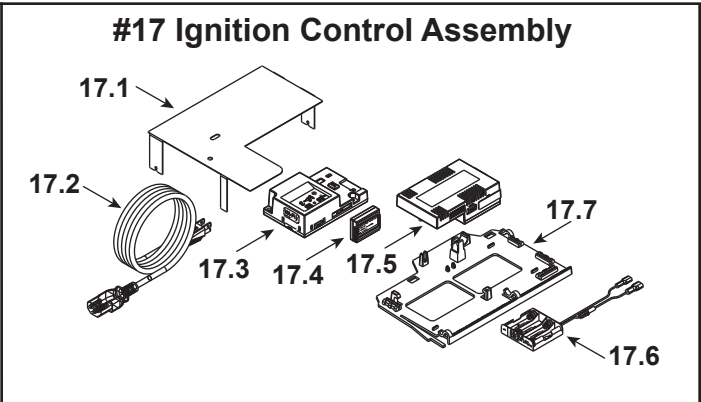
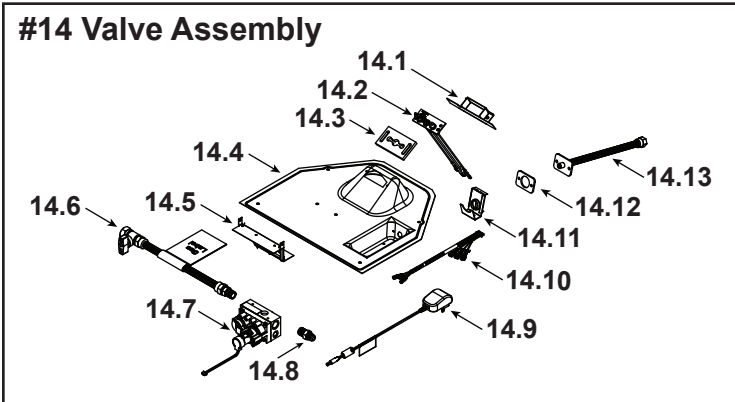
IMPORTANT: THIS IS DATED INFORMATION. Parts must be ordered from a dealer or distributor. **Hearth and Home Technologies does not sell directly to consumers.** Provide model number and serial number when requesting service parts from your dealer or distributor.



**Stocked
at Depot**

ITEM	DESCRIPTION	COMMENTS	PART NUMBER	
	Log Assembly		SRV2384-070	Y
1	Rear Log		SRV2384-071	
2	Front Left Log		SRV2380-072	
3	Front Right Log		SRV2384-073	
4	Top Log		SRV2380-074	
5	Middle Log		SRV2384-075	
6	Right Upper Log		SRV2384-076	
7	Intake Cover Plate		2166-450	
8	Intake Cover Gasket		4031-239	
9	Dry Wall Lip		4055-892	
10	Non Combustible Board		4055-894	
11	Glass Baffle		2384-109	
12	Hearth Pan		2384-111	
13	Burner Assembly (NG & Propane)		2384-007	Y
14	Valve Assembly NG		Refer to valve page	
15	Gasket, Valve Plate	Qty 2 req	4055-135	
16	Glass Frame Assembly		GLA2384-018	Y
17	Ignition Control Assembly		Refer to valve page	
18	Glass Retainer	Qty 2 req	060-235-25	
19	Glass Latch Assembly	Qty 4 req	2382-400	Y
20	Junction Box		SRV2326-013	Y
21	Cover Plate		SRV4031-222	
22	Nailing Flange	Qty 4 req	SRV4044-161	
23	Not replaceable, Must order overlay (CUST4018-001)	Left & Right Side	4055-133	
24		Top & Bottom	4055-195	
25	Back Gasket		SRV4000-225	
26	Blower Assembly		4031-057	
	Power Cord		SRV26648	
	Lava Rock Bag Assembly		4040-094	
	Lava Rock, 3 lbs. Bag		4021-297	
	Mineral Wool		SRV14333	
	Flue Baffle		SRV4045-203	
	Refractory Assembly (Sold as a Set Only)		SRV2381-756	
	Touch-up Paint, Interior	Pre LC6013112	SRV4021-110	
		Post LC6013111	TUPB-12	
	Touch-up Paint, Exterior		TUPB-12	

Additional service parts on following page.



IMPORTANT: THIS IS DATED INFORMATION. Parts must be ordered from a dealer or distributor. **Hearth and Home Technologies does not sell directly to consumers.** Provide model number and serial number when requesting service parts from your dealer or distributor.



Stocked at Depot

ITEM	DESCRIPTION	COMMENTS	PART NUMBER	Stocked at Depot
14.1	Pilot Shield		2382-131	
14.2	Pilot Assembly NG		SRV2090-012	Y
	Pilot Assembly Propane		2090-013	Y
14.3	Pilot Gasket		4021-042	
14.4	Seal Plate Assembly		2382-584	
14.5	Valve Bracket		4055-205	
14.6	Flex Ball Valve Assembly		SRV302-320	Y
14.7	Valve NG		SRV2166-302	Y
	Valve Propane		2166-303	Y
14.8	Male Connector	Pkg of 5	303-315/5	Y
14.9	Transformer		SRV2326-131	Y
14.10	Wire Harness, IFT 6 Pin		SRV2326-132	Y
14.11	Air Shutter Assembly		SRV4055-202	Y
14.12	Gasket, Bulkhead		4021-429	
14.13	Bulkhead W/Flex Tube		4021-512	Y
17.1	Heat Sheild, Component		2628-110	
17.2	Cable, B Type AC Module		SRV2326-152	Y
17.3	Module, IFT Control		SRV2326-130	Y
17.4	Module, RF FCC		SRV2326-120	Y
17.5	Module, B Type AC		SRV2326-150	Y
17.6	Battery Pack**		SRV2326-134	Y
17.7	Tray, Component		2532-170	
	Orifice NG (#39C)		582-839	Y
	Orifice Propane (#1.55mm)		582-8155	Y
	Conversion Kit NG		NGK-NNXT-IFT	Y
	Conversion Kit Propane		LPK-NNXT-IFT	Y
	Pilot Orifice NG		SRV593-528	Y
	Pilot Orifice Propane		SRV593-527	Y
	Regulator NG		NGK-DXV-50	Y
	Regulator Propane		SRVLPK-DXV-50	Y

**Fuse for battery pack can be sourced locally, not a warranty item. Specs are 250v, 3A fuse, 3/4" long