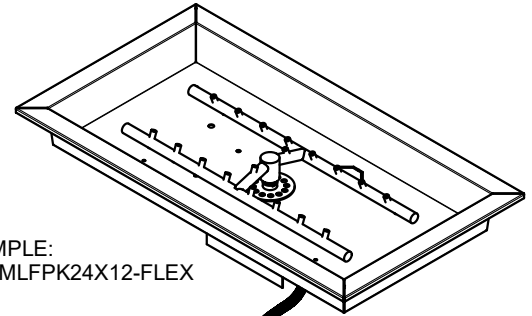
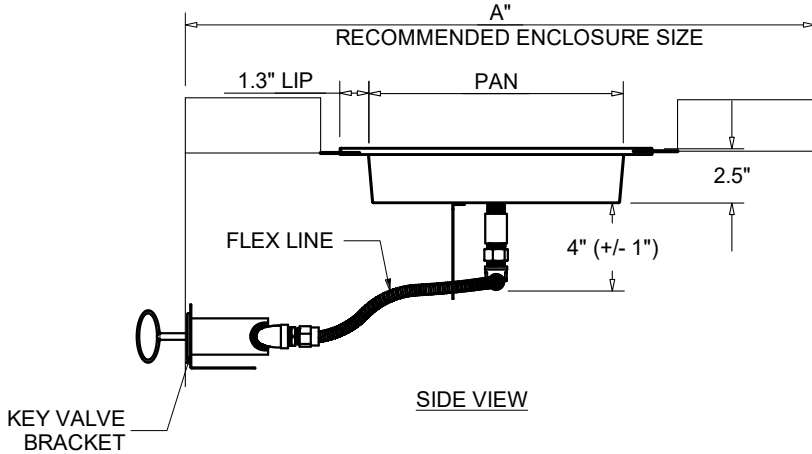




HEARTH PRODUCTS CONTROLS
 2225 LYONS RD.
 MIAMISBURG, OH 45342
 TOLL FREE: 877.585.9800
 PHONE: 937.436.9800
 www.hpcfire.com

FIRE INSPIRED[®]
CSA CERTIFIED-OUTDOOR USE ONLY
FOR COMMERCIAL AND RESIDENTIAL USE



EXAMPLE:
 TOR-MLFPK24X12-FLEX

BRACKET DETAIL

ISOMETRIC VIEW

MATERIAL: 304 STAINLESS STEEL

| PART NUMBER | DIMENSION CHART | | | | |
|----------------------|-----------------|--------------|---------|---------|-----------------------|
| | PAN | STANDARD BTU | | A" | STND FLEX LINE LENGTH |
| | | PENTA | TORPEDO | | |
| TOR- MLFPK24X12-FLEX | 24"X12" | 65K | 65K | 56"X28" | 36" |
| TOR- MLFPK30X12-FLEX | 30"X12" | 65K | 65K | 56"X28" | 36" |
| TOR- MLFPK36X14-FLEX | 36"X14" | 65K | 65K | 64"X32" | 36" |

*FOR TORPEDO BURNERS ADD TOR-

NOTES:

1. PROPER VENTING

- ENCLOSURES:
 - For Fire Pit Inserts upto 65K BTU: Required 2 vents, 18 sq.in. each on opposing sides.
- BOWLS (Copper, concrete or metal) - Bowl to be raised above mounting surface minimum of 3/4" gap; Bowl to have a minimum of 6" diameter hole in bottom

2. GAS SUPPLY

- Natural Gas: Supply Pressure: Minimum: 3.5" W.C.; Maximum: 7.0" W.C.
- LP Gas: Supply Pressure: Minimum: 8.0" W.C.; Maximum 11.0" W.C.

IMPORTANT: Ensure any flex line that may be used from the permanent main fuel supply to the product is rated to the stated max btu of the product and certified to ANSI Z21.75*CSA 6.27.

3. MODIFCATION OF PRODUCT WILL VOID ANY CERTIFICATION AND WARRANTY.

4. FOLLOW ALL MANUFACTURER INSTALLATION INSTRUCTIONS AND LOCAL CODES.

5. ALL DIMENSIONS ARE CONSIDERED TRUE AND REFLECT MANUFACTURER'S SPECIFICATIONS AS OF THE REVISION DATE.

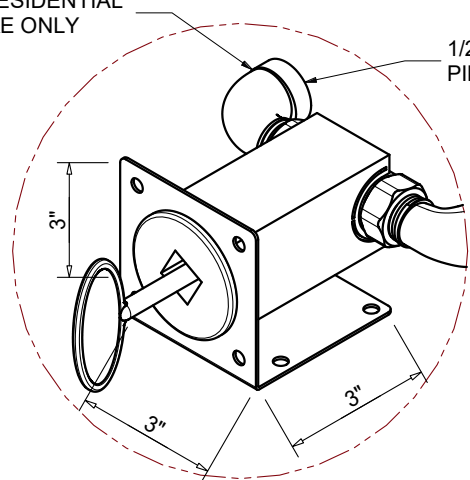
6. DO NOT SCALE DRAWING.

7. THESE DRAWINGS ARE FOR SIZING AND PLANNING PURPOSES. ALL INFORMATION CONTAINED HEREIN WAS CURRENT AT THE TIME OF DEVELOPMENT. THE MANUFACTURER'S RESPONSIBLE FOR THE ACCURACY OF THE DRAWING.

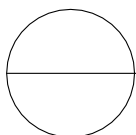
8. CONTRACTOR'S NOTE: FOR PRODUCT AND COMPANY INFORMATION VISIT www.CADdetails.com/info
 REFERENCE NUMBER 771-007

GAS IN: RESIDENTIAL
 PRESSURE ONLY

1/2" FEMALE
 PIPE THREAD



BRACKET DETAIL



MATCH LIT FIRE PIT INSERT - WITH FLEX LINE
 RECTANGLE PAN - MLFPK