

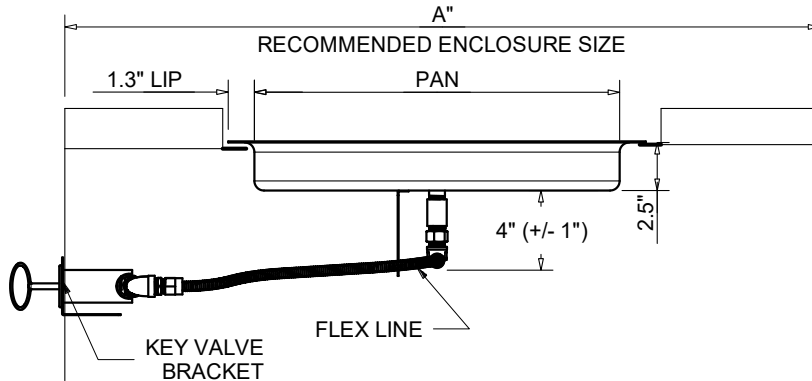


FIRE INSPIRED[®]

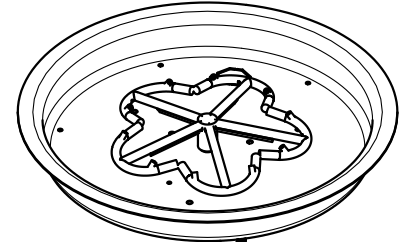
**CSA CERTIFIED-OUTDOOR USE ONLY
FOR COMMERCIAL AND RESIDENTIAL USE**



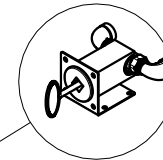
HEARTH PRODUCTS CONTROLS
2225 LYONS RD.
MIAMISBURG, OH 45342
TOLL FREE: 877.585.9800
PHONE: 937.436.9800
www.hpcfire.com



SIDE VIEW



EXAMPLE:
TOR-PENTA19 MLFPK-FLEX



BRACKET DETAIL

ISOMETRIC VIEW

MATERIAL: 304 STAINLESS STEEL

PART NUMBER	DIMENSION CHART				
	PAN	STANDARD BTU		A"	STND FLEX LINE LENGTH
PENTA BURNER		PENTA	TORPEDO		
TOR- PENTA13MLFPK-FLEX	13"	65K	65K	45"	36"
TOR- PENTA19MLFPK-FLEX	19"	65K	65K	45"	36"
TOR- PENTA25MLFPK-FLEX	25"	65K	65K	54"	36"
TOR- PENTA31MLFPK-FLEX	31"	65K	65K	54"	36"

*FOR TORPEDO BURNERS ADD TOR-

NOTES:

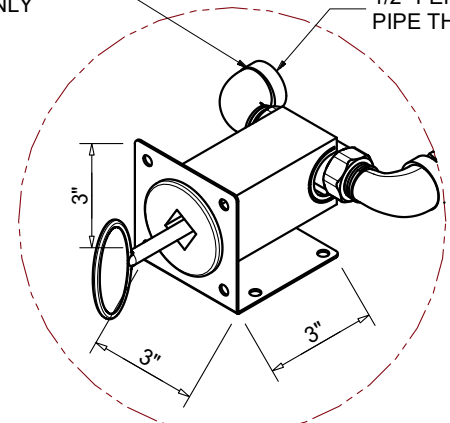
1. PROPER VENTING
 - ENCLOSURES:
 - For Fire Pit Inserts upto 65K BTU: Required 2 vents, 18 sq.in. each on opposing sides.
 - BOWLS (Copper, concrete or metal) - Bowl to be raised above mounting surface minimum of 3/4" gap; Bowl to have a minimum of 6" diameter hole in bottom
2. GAS SUPPLY
 - Natural Gas: Supply Pressure: Minimum: 3.5" W.C.; Maximum: 7.0" W.C.
 - LP Gas: Supply Pressure: Minimum: 8.0" W.C.; Maximum 11.0" W.C.

IMPORTANT: Ensure any flex line that may be used from the permanent main fuel supply to the product is rated to the stated max btu of the product and certified to ANSI Z21.75*CSA 6.27.

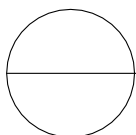
3. MODIFICATION OF PRODUCT WILL VOID ANY CERTIFICATION AND WARRANTY.
4. FOLLOW ALL MANUFACTURER INSTALLATION INSTRUCTIONS AND LOCAL CODES.
5. ALL DIMENSIONS ARE CONSIDERED TRUE AND REFLECT MANUFACTURER'S SPECIFICATIONS AS OF THE REVISION DATE.
6. DO NOT SCALE DRAWING.
7. THESE DRAWINGS ARE FOR SIZING AND PLANNING PURPOSES. ALL INFORMATION CONTAINED HEREIN WAS CURRENT AT THE TIME OF DEVELOPMENT. THE MANUFACTURER'S RESPONSIBLE FOR THE ACCURACY OF THE DRAWING.
8. CONTRACTOR'S NOTE: FOR PRODUCT AND COMPANY INFORMATION VISIT www.CADdetails.com/info REFERENCE NUMBER 771-0

GAS IN: RESIDENTIAL
PRESSURE ONLY

1/2" FEMALE
PIPE THREAD



BRACKET DETAIL



MATCH LIT FIRE PIT INSERT - WITH FLEX LINE

BOWL ROUND PAN - MLFPK