



heatilator®

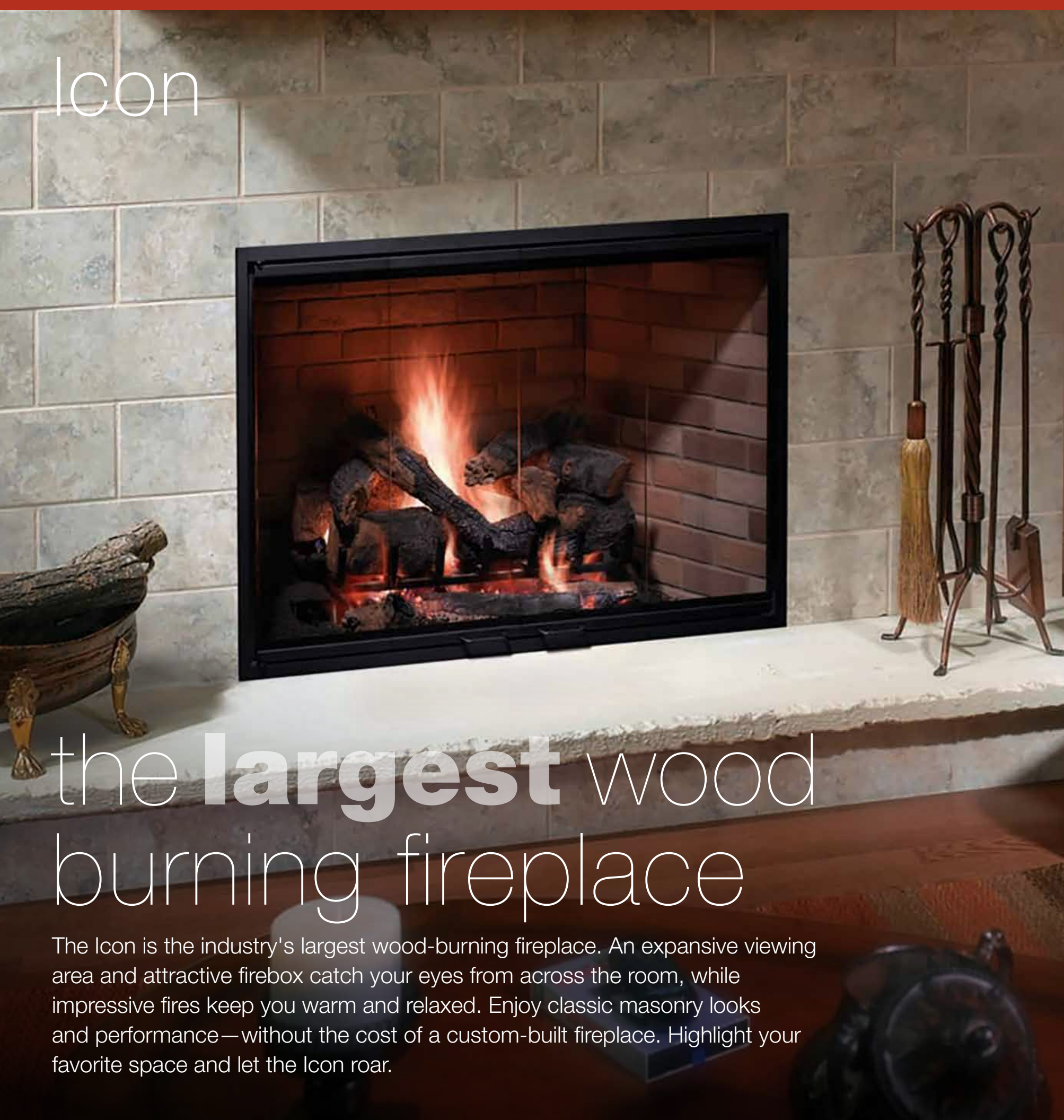
The first name in fireplaces



Icon

Wood-Burning Fireplace

Icon



the **largest** wood burning fireplace

The Icon is the industry's largest wood-burning fireplace. An expansive viewing area and attractive firebox catch your eyes from across the room, while impressive fires keep you warm and relaxed. Enjoy classic masonry looks and performance—without the cost of a custom-built fireplace. Highlight your favorite space and let the Icon roar.

Features

- Three sizes available; 36", 42" and 50"
- Clean-face design enables finishing materials to be applied up to firebox opening
- Can be installed flush with floor or on a raised hearth
- Impressive, masonry-style traditional or herringbone molded brick panels
- SL1100 Series venting
- Tested and listed to UL safety standards

Options

Doors



Grand Vista Screen Doors

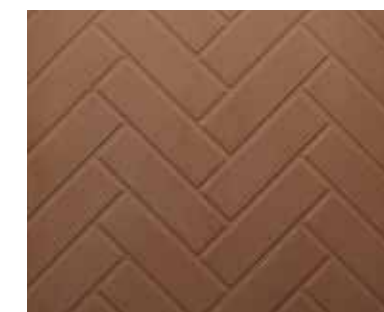


DM Glass Doors

Interiors



Traditional Multiple-Colored



Herringbone

Gas Logs



Fireside Grand Oak Log Set

Enjoy the ambiance of roaring wood fires without the hassle. Detailed log sets deliver ambiance and unrivaled convenience.

Cover: I100 shown with traditional interior and grand vista doors

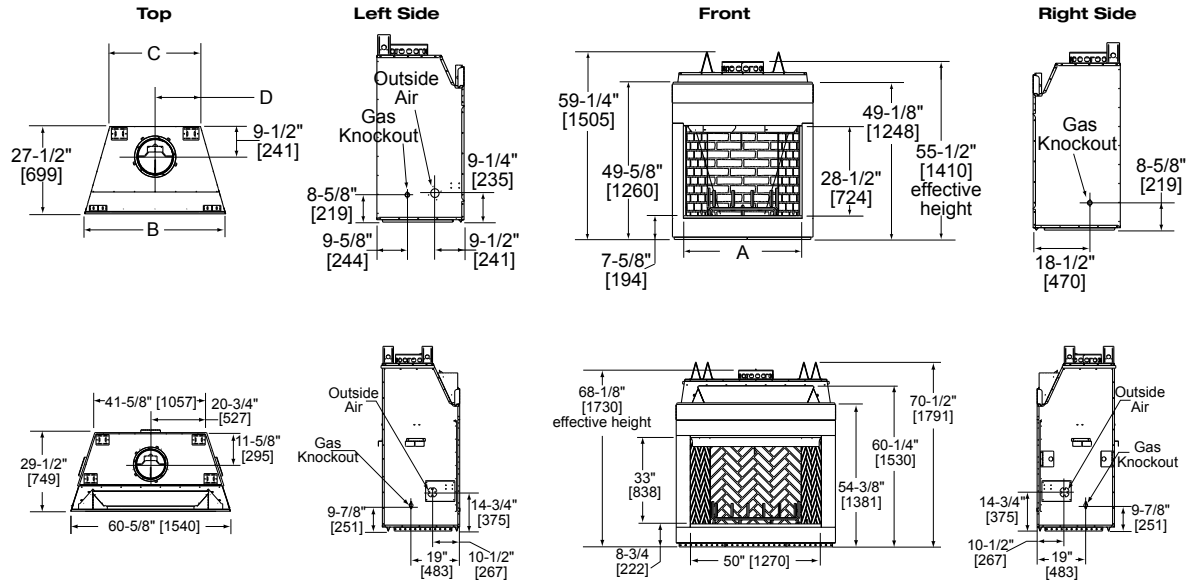
Left: I60 shown with traditional interior and DM glass doors

Specifications

MODEL	FRONT WIDTH	BACK WIDTH	HEIGHT	DEPTH	FIREBOX OPENING
I60	44-1/2" [1130]	28-5/8" [727]	59-1/4" [1505]	27-1/2" [699]	36" x 28-1/2" [914 x 724]
I80	50-1/2" [1283]	34-1/2" [876]	59-1/4" [1505]	27-1/2" [699]	42" x 28-1/2" [1067 x 724]
I100	60-5/8" [1540]	41-5/8" [1057]	70-1/2" [1791]	29-1/2" [749]	50" x 33" [1270 x 838]

I60/I80

	I60	I80
A	36" [914]	42" [1067]
B	44-1/2" [1130]	50-1/2" [1283]
C	28-5/8" [727]	34-1/2" [876]
D	14-3/8" [365]	17-3/16" [437]



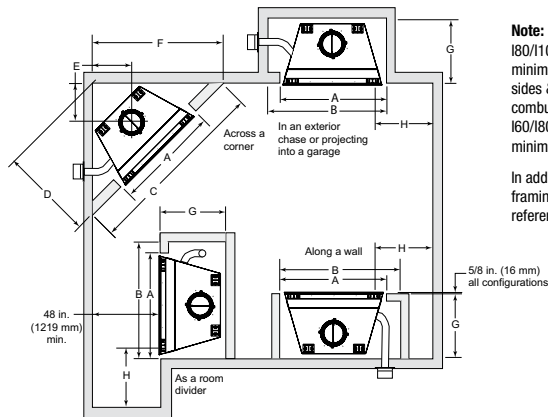
I100

Clearances

MODEL	A	B	C	D	E	F	G	H
I60	45-1/2" [1156]	53-1/2" [1359]	85" [2159]	42-1/2" [1080]	19-3/8" [492]	60-1/8" [1527]	28" [711]	24" [610]
I80	51-1/2" [1308]	59-1/2" [1511]	92-3/4" [2356]	46-3/8" [1178]	21-1/2" [546]	65-5/8" [1667]	28-1/2" [724]	24" [610]
I100	61-5/8" [1565]	77-5/8" [1972]	104-7/8" [2664]	52-1/2" [1334]	24-3/8" [619]	74-1/4" [1886]	30-1/2" [775]	24" [610]

Framing

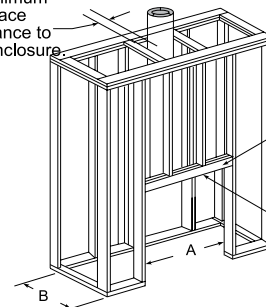
MODEL	A ROUGH OPENING (WIDTH)	B ROUGH OPENING (DEPTH)	C ROUGH OPENING (HEIGHT)*
I60	45-1/2" [1156]	28" [711]	59-3/4" [1518]
I80	51-1/2" [1308]	28-1/2" [724]	59-3/4" [1518]
I100	61-5/8" [1565]	30-1/2" [775]	71" [1803]



Note: I60: 1 in. (25 mm)
I80/I100: 1-1/2 in. (38 mm)
minimum distance from sides & back of fireplace to combustible materials.
I60/I80/I100 - 1/2 in. (13 mm) minimum at nailing flanges.

In addition to these framing dimensions, also reference install manual.

2" minimum air space clearance to the enclosure.



* Framing must be filled in to top of front stand off after unit is installed.

Note: Fireplace header cannot be positioned until after the fireplace assembly is in place.

C = header height. Use only noncombustible material below the top of the front standoffs.

Available from

heatilator
The first name in fireplaces

800-927-6841 | heatilator.com
[facebook.com/Heatilator](https://www.facebook.com/Heatilator)
twitter.com/Heatilator
[youtube.com/HeatilatorFireplaces](https://www.youtube.com/HeatilatorFireplaces)

Limited Lifetime Warranty¹

The strongest in the industry, Heatilator provides a limited lifetime warranty on the most important aspects: firebox and heat exchanger.

¹ For full warranty details go to heatilator.com.

The information provided in this literature is for planning purposes only and subject to change. Please consult the installation manual for actual installation. Actual product appearance may differ from product images.

Fireplace, stove and insert surfaces get extremely HOT and can cause severe burns if touched. Keep a safe distance away. To learn more visit: www.heatilator.com/fireplacesafety

HTL-1021U-0521

