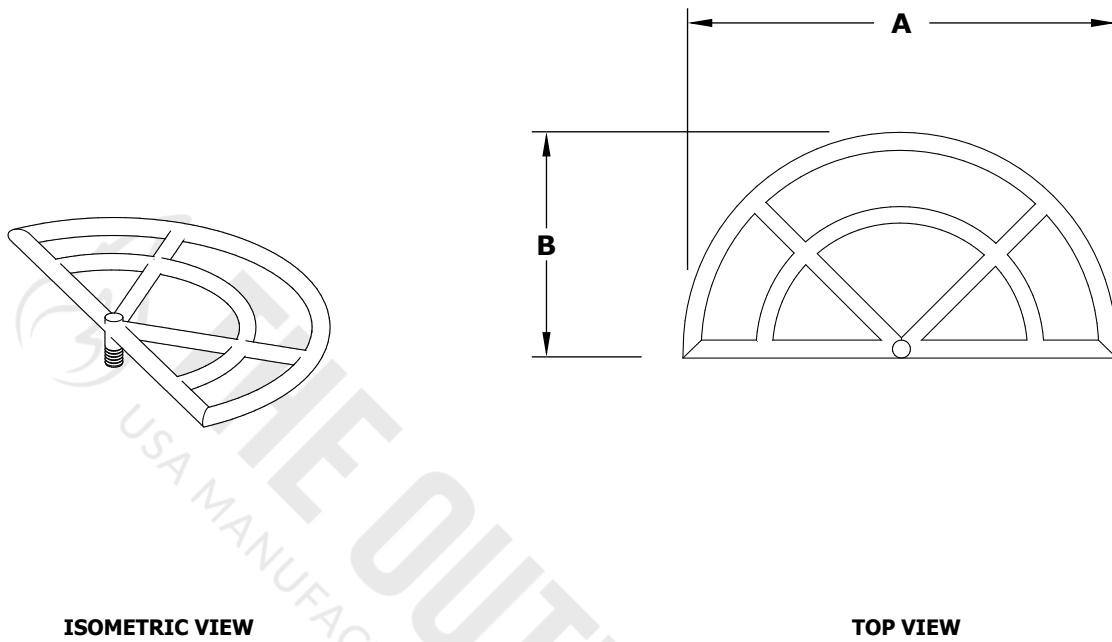
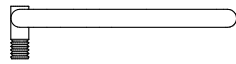


# HALF MOON STAINLESS STEEL BURNER

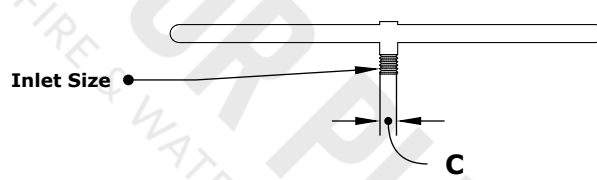


**ISOMETRIC VIEW**

**TOP VIEW**



**RIGHT SIDE VIEW**



**FRONT SIDE VIEW**

SKU	A	B	C	RINGS	BTU
OPT-HM18	18"	9"	0.5"	2 Rings	80,000
OPT-HM24	24"	12"	0.5"	2 Rings	90,000
OPT-HM30	30"	15"	0.5"	3 Rings	120,000
OPT-HM36	36"	18"	0.75"	3 Rings	140,000
OPT-HM42	42"	21"	0.75"	4 Rings	150,000
OPT-HM48	48"	24"	0.75"	4 Rings	175,000

Burner Material:  
304 Stainless Steel

<b>Drawn By</b>	Murguia M.
<b>Date Created</b>	August 13, 2021