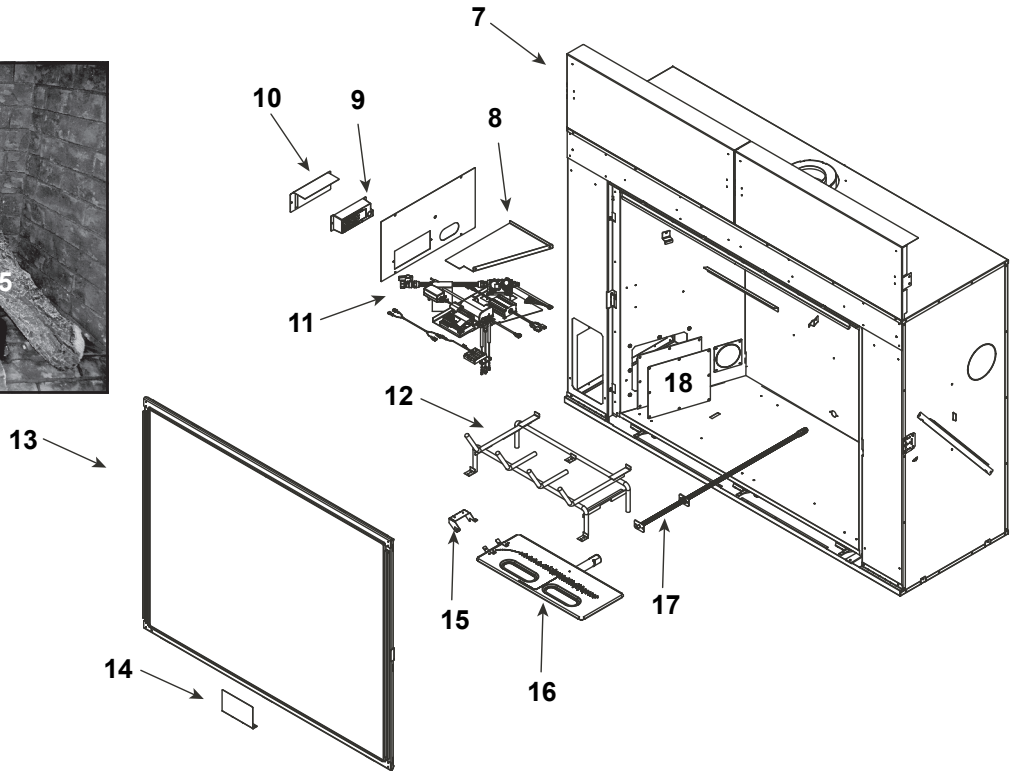
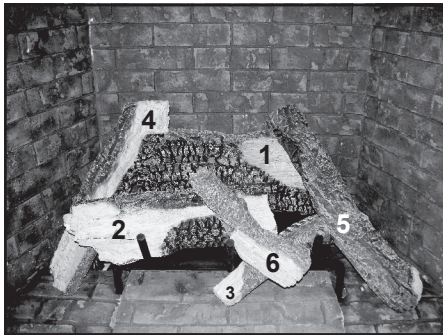


Log Set Assembly



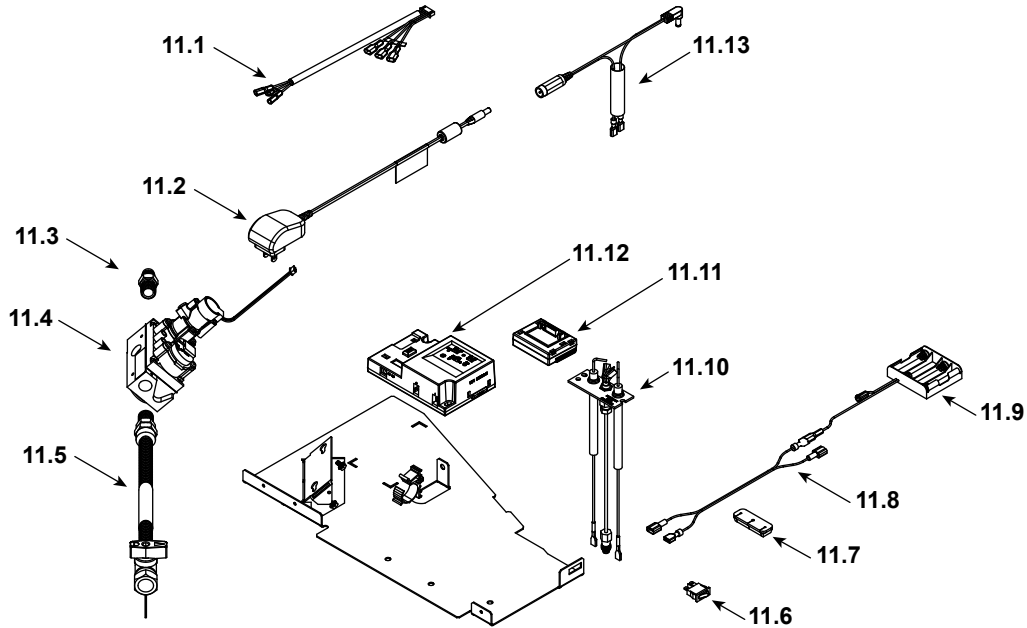
IMPORTANT: THIS IS DATED INFORMATION. Parts must be ordered from a dealer or distributor. **Hearth and Home Technologies does not sell directly to consumers.** Provide model number and serial number when requesting service parts from your dealer or distributor.



Stocked at Depot

| ITEM | DESCRIPTION | COMMENTS | PART NUMBER | |
|------|----------------------|-----------|----------------------------|---|
| | Log Assembly | | LOGS-HEIR42 | Y |
| 1 | Log 1 | | SRV2284-701 | |
| 2 | Log 2 | | SRV2284-702 | |
| 3 | Log 3 | | SRV2284-703 | |
| 4 | Log 4 | | SRV2284-704 | |
| 5 | Log 5 | | SRV2284-705 | |
| 6 | Log 6 | | SRV2284-706 | |
| 7 | Heat Shield, Header | Qty 2 req | 2281-105 | |
| 8 | Heat Shield, Valve | | 2281-153 | |
| 9 | Junction box | | SRV4021-013 | Y |
| 10 | J-Box Bracket | | 2281-154 | |
| 11 | Valve Assembly | | Refer to Valve Page | |
| 12 | Grate Assembly | | 2284-015 | |
| 13 | Glass Assembly | | GLA-2284 | |
| 14 | Finishing Spacer | | 2281-113 | |
| 15 | Pilot Cover | | 2281-187 | |
| 16 | Burner Assembly | | 2284-007 | Y |
| 17 | Orifice Bracket Flex | | 2012-008 | Y |
| 18 | Access Plate | | 2281-117 | |

#11 Valve Assembly



IMPORTANT: THIS IS DATED INFORMATION. Parts must be ordered from a dealer or distributor. **Hearth and Home Technologies does not sell directly to consumers.** Provide model number and serial number when requesting service parts from your dealer or distributor.



Stocked at Depot

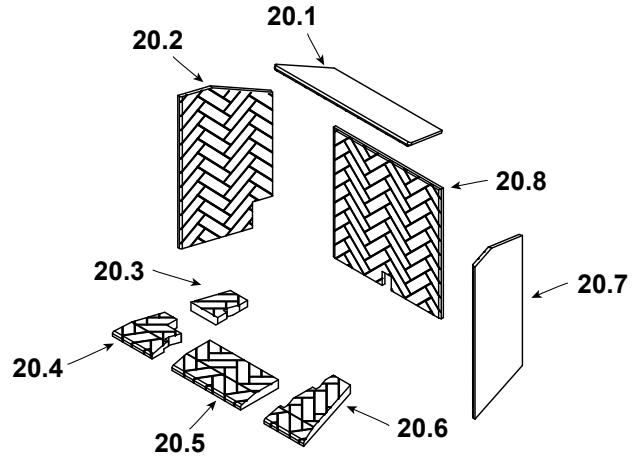
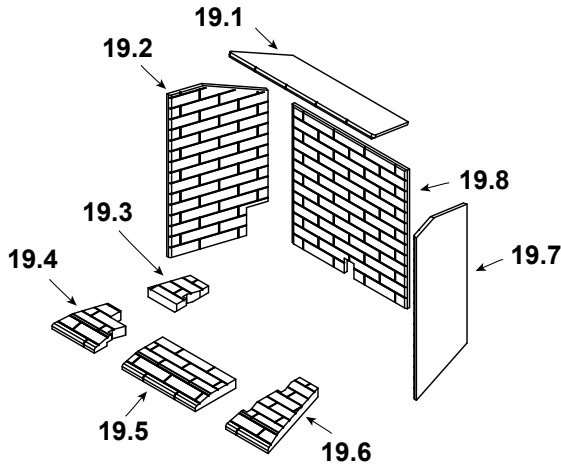
| ITEM | DESCRIPTION | COMMENTS | PART NUMBER | Stocked at Depot |
|-------|-------------------------------|-------------------------------|-------------|------------------|
| 11.1 | Wire Harness | | SRV2326-132 | Y |
| 11.2 | Power Supply | | SRV2326-131 | Y |
| 11.3 | Male connector | Pkg of 5 | 303-315/5 | Y |
| 11.4 | Valve NG | | SRV2166-302 | Y |
| | Valve Propane | | 2166-303 | Y |
| 11.5 | Flex Ball Valve Assembly. 12" | | SRV302-320 | Y |
| 11.6 | Reset Switch | Pre LC5114352 | SRV2206-299 | Y |
| | | Post LC5114352 / Propane Only | 2206-298 | Y |
| 11.7 | Grommet | | SRV2118-420 | |
| 11.8 | Wire, Battery jumper, 10 in | | 2281-196 | Y |
| 11.9 | **Battery Pack | | SRV2326-134 | Y |
| 11.10 | Pilot Assembly, NG | | 2270-012 | Y |
| 11.11 | Module, RF FCC | | SRV2326-120 | Y |
| 11.12 | Module, Control IFT | | SRV2326-130 | Y |
| 11.13 | Reset Switch Wire | Propane Only | SRV2326-135 | Y |
| | Orifice NG (#26C) | | 582-826 | Y |
| | Orifice Propane (#45C) | | SRV582-845 | Y |

**Fuse for battery pack can be sourced locally, not a warranty item. Specs are 250v, 3A fuse, 3/4" long

Additional service parts on following page.

#19 Traditional Refractory

#20 Herringbone Refractory



IMPORTANT: THIS IS DATED INFORMATION. Parts must be ordered from a dealer or distributor. **Hearth and Home Technologies does not sell directly to consumers.** Provide model number and serial number when requesting service parts from your dealer or distributor.



Stocked at Depot

| ITEM | DESCRIPTION | COMMENTS | PART NUMBER | |
|------|-------------------------|----------|-------------|--|
| | Refractory, Traditional | | | |
| 19.1 | Refractory, Top | | SRV2284-716 | |
| 19.2 | Refractory, Left | | SRV2284-713 | |
| 19.3 | Refractory, Left Base | | SRV2284-718 | |
| 19.4 | Refractory, Left Base | | SRV2284-711 | |
| 19.5 | Refractory, Front Base | | SRV2284-710 | |
| 19.6 | Refractory, Right Base | | SRV2284-712 | |
| 19.7 | Refractory, Right | | SRV2284-714 | |
| 19.8 | Refractory, Back | | SRV2284-715 | |
| | Refractory, Herringbone | | | |
| 20.1 | Refractory, Top | | SRV2284-726 | |
| 20.2 | Refractory, Left | | SRV2284-723 | |
| 20.3 | Refractory, Left Base | | SRV2284-728 | |
| 20.4 | Refractory, Left Base | | SRV2284-721 | |
| 20.5 | Refractory, Front Base | | SRV2284-720 | |
| 20.6 | Refractory, Right Base | | SRV2284-722 | |
| 20.7 | Refractory, Right | | SRV2284-724 | |
| 20.8 | Refractory, Back | | SRV2284-725 | |

Additional service parts on following page.

