

Models:

Grand Vista 60, Grand Vista 80, Grand Vista 100

Mesh Door Kits



Door Model Number	For Use on Models							
GV60BK	I60CT	I60H	EXCLAIM-36T	EXCLAIM-36H	SB60	SB60HB		
GV80BK	I80CT	I80H	EXCLAIM-42H	EXCLAIM-42T	SB80	SB80HB	Legacy42-IFT	Phoenix42-IFT
GV100BK	I100CT	I100H	EXCLAIM-50T	EXCLAIM-50H	SB100	SB100HB		

These mesh door kits have been tested for use with specific Hearth & Home Technologies products. Check with your local building code agency before you begin installation to ensure compliance with local codes, including the need for permits and follow-up inspections. If you encounter any problems regarding code approvals, or if you need clarification of any of the instructions contained here, contact your Hearth & Home Technologies Inc. dealer. For the dealer nearest you, please visit www.hearthnhome.com.

CAUTION! Risk of Cuts/Abrasions. Wear protective gloves and safety glasses during installation. Sheet metal edges are sharp.

NOTICE: All fingerprints and smudges must be wiped clean from the viewable surfaces of the door kit prior to the initial burning of the fireplace. If this is not done, these prints and smudges will be cured into the finish and set for the life of the fireplace. To keep the finish looking its best, gently wipe with a soft cloth and if desired, soap and water. Never use thinner or abrasive cleaners since these products will damage the finish.

⚠ WARNING



HOT SURFACES!

Screen/mesh, glass doors and other surfaces are hot during operation AND cool down.

Hot screen/mesh and glass doors will cause burns.

- Do not touch screen/mesh or glass doors until cooled
- NEVER allow children to touch screen/mesh or glass doors
- Keep children away
- CAREFULLY SUPERVISE children in same room as fireplace.
- Alert children and adults to hazards of high temperatures.

High temperatures may ignite clothing or other flammable materials.

- Keep clothing, furniture, draperies and other flammable materials away.

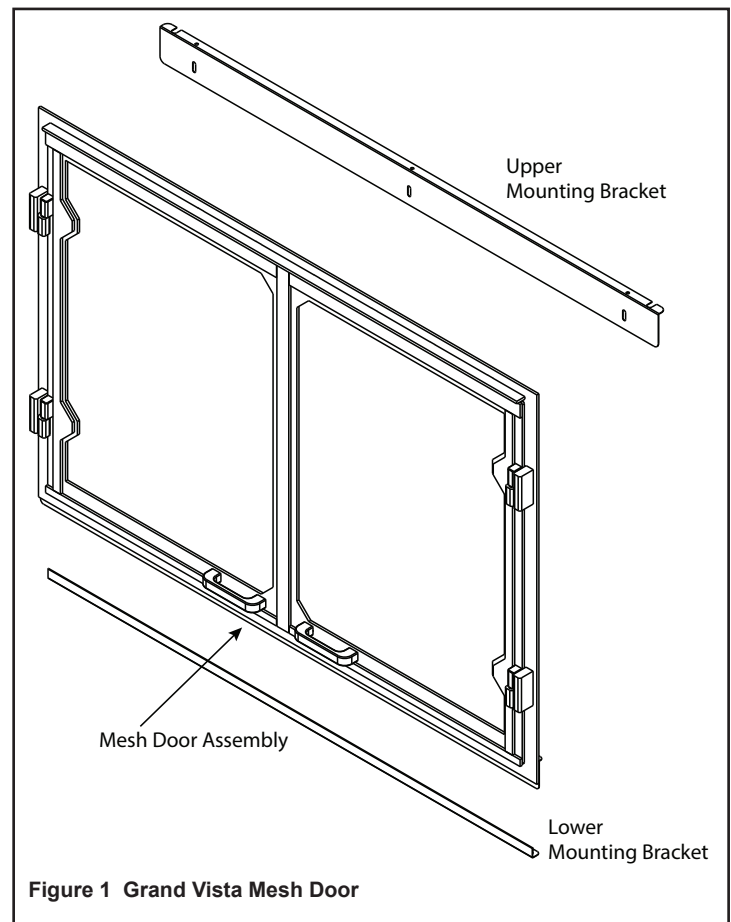


Figure 1 Grand Vista Mesh Door

CAUTION! The door kit is heavy. We recommend two installers to put the front assembly in place.

WARNING! Risk of Fire! DO NOT place combustible materials on the metal fireplace face or columns.

Installation:

1. Remove the existing screens from the fireplace.
See Figure 2:
 - Remove one screw in each of the screen rods behind the upper screen cover
 - Slide screen rods out of support holes.
 - Rods and screen will come out as an assembly.
 - Discard.
- ▶ 2. Remove all but the two screws (aligned with the slots on the upper mounting bracket) securing the upper screen cover, see Figure 2. Save screws for Step 6. If installing on ICON Series skip steps 3 and 4.
3. Remove (4) screws, securing lower screen cover, see Figure 2.
4. Install lower mounting bracket, see Figure 1, using the screws removed in Step 3.
5. Remove (3) wingnuts, (4) on GV100, and the mounting bracket from the frame assembly. See Figure 3. Set aside for Step 9.
6. Slide mounting bracket slots, see Figure 3, over the two remaining screws of the screen cover, tighten and secure in place with the screws removed in Step 2.
7. Remove the doors from the frame assembly.
8. Lift frame assembly and slide bottom flange, see Figure 3, over the lower screen cover.
9. Attach frame assembly to the upper mounting bracket and tighten wingnuts.
 - ICON Series: The bottom flange should fit between the lower screen cover and the hearth stone.
 - LEGACY42-IFT & PHOENIX42-IFT: The bottom flange should fit between the lower screen cover and lower mounting bracket installed in Step 4.
10. Press the top of the frame assembly against the upper mounting bracket. The threaded studs of the frame assembly, see Figure 3, will fit through the matching holes of the upper mounting bracket. Secure with wing nuts removed in Step 5.
11. Hang the doors on the frame assembly by positioning the hinge pins of the door in the mating hinge receivers. See Figure 3.

