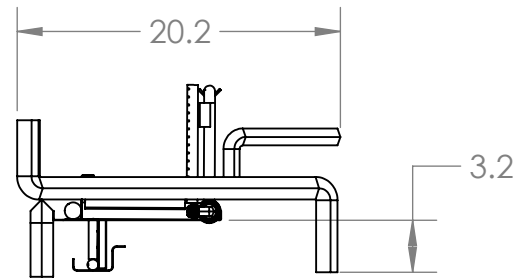
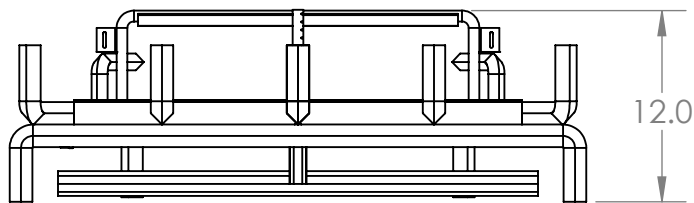
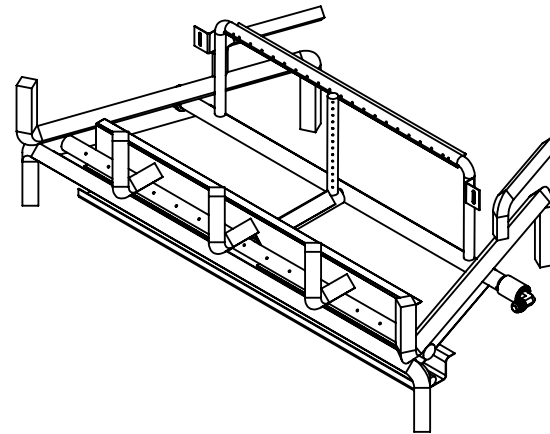
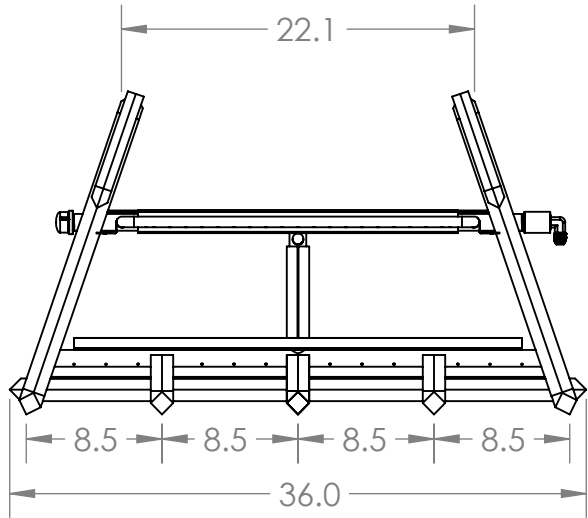


2

1

REVISIONS			
REV.	DESCRIPTION	DATE	APPROVED
A	RELEASED FOR PRODUCTION	8/2/2022	



BRANDED: GRAND CANYON GAS LOGS
MODEL #: JUMBOBRNR-36



UNLESS OTHERWISE SPECIFIED:	NAME	DATE
DIMENSIONS ARE IN INCHES	DRAWN	RG 8/2/22
TOLERANCES:	CHECKED	DF 8/10/22
BEND +2/-0	ENG APPR.	
ONE PLACE DECIMAL ±.125	MFG APPR.	
TWO PLACE DECIMAL ±.0625	Q.A.	
INTERPRET GEOMETRIC TOLERANCING PER:	PROPRIETARY AND CONFIDENTIAL THE INFORMATION CONTAINED IN THIS DRAWING IS THE SOLE PROPERTY OF RICHARDSON'S PRODUCT GROUP. ANY REPRODUCTION IN PART OR AS A WHOLE WITHOUT THE WRITTEN PERMISSION OF RICHARDSON'S PRODUCT GROUP IS PROHIBITED.	
MATERIAL		
FINISH		
DO NOT SCALE DRAWING		

RPG BRANDS		
TITLE:		
JUMBOBRNR-36		
SIZE	DWG. NO.	REV
A	02-00671	A
SCALE: 1:12 WEIGHT:		SHEET 1 OF 1

B

B

A

A

2

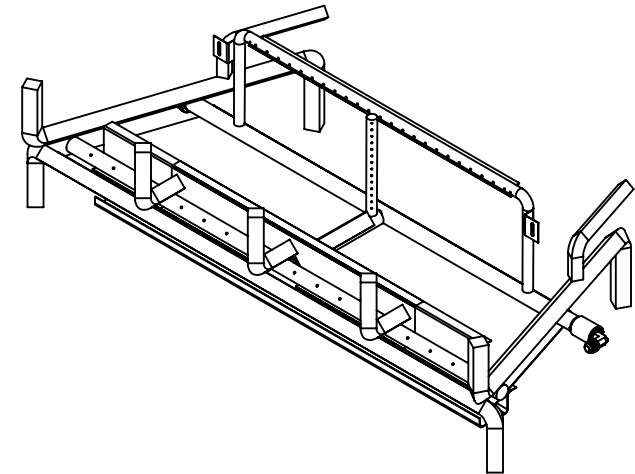
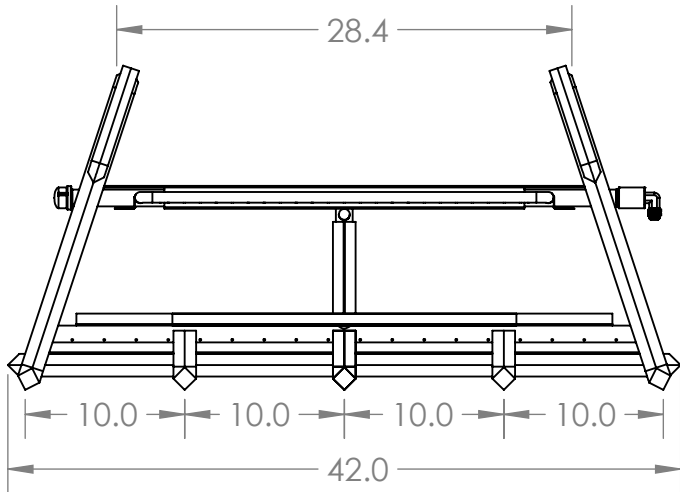
1

2

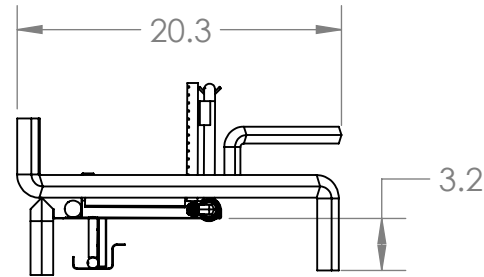
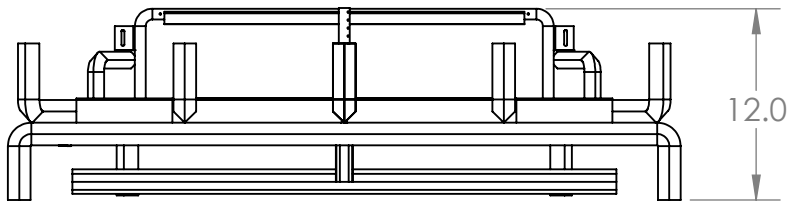
1

REVISIONS			
REV.	DESCRIPTION	DATE	APPROVED
A	RELEASED FOR PRODUCTION	8/2/2022	

B



B



A

BRANDED: GRAND CANYON GAS LOGS
 MODEL #: JUMBOBRNR-42



UNLESS OTHERWISE SPECIFIED:	NAME	DATE
DIMENSIONS ARE IN INCHES	DRAWN	RG 8/2/22
TOLERANCES:	CHECKED	DF 8/10/22
BEND +2/-0	ENG APPR.	
ONE PLACE DECIMAL ±.125	MFG APPR.	
TWO PLACE DECIMAL ±.0625	Q.A.	
INTERPRET GEOMETRIC TOLERANCING PER:	PROPRIETARY AND CONFIDENTIAL THE INFORMATION CONTAINED IN THIS DRAWING IS THE SOLE PROPERTY OF RICHARDSON'S PRODUCT GROUP. ANY REPRODUCTION IN PART OR AS A WHOLE WITHOUT THE WRITTEN PERMISSION OF RICHARDSON'S PRODUCT GROUP IS PROHIBITED.	
MATERIAL		
FINISH		
DO NOT SCALE DRAWING		

RPG BRANDS

TITLE:
 JUMBOBRNR-42

SIZE	DWG. NO.	REV
A	02-00672	A
SCALE: 1:12 WEIGHT:		SHEET 1 OF 1

A

2

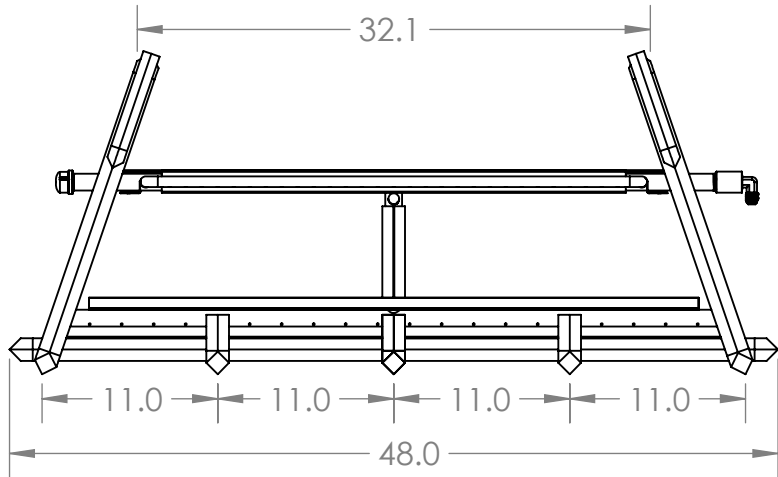
1

2

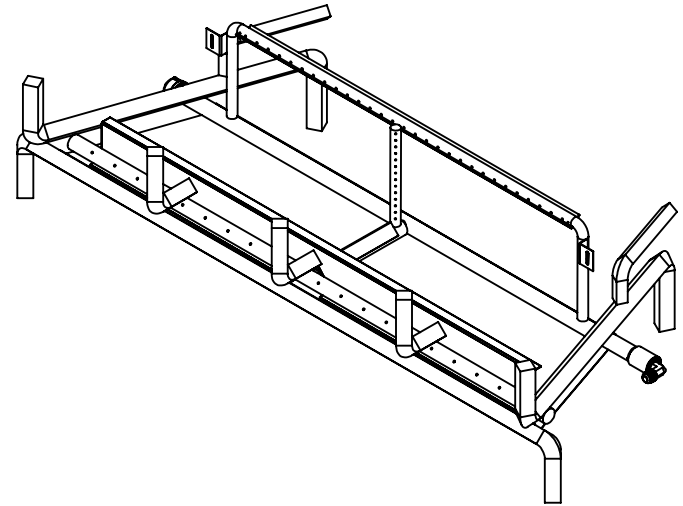
1

REVISIONS			
REV.	DESCRIPTION	DATE	APPROVED
A	RELEASED FOR PRODUCTION	8/2/2022	

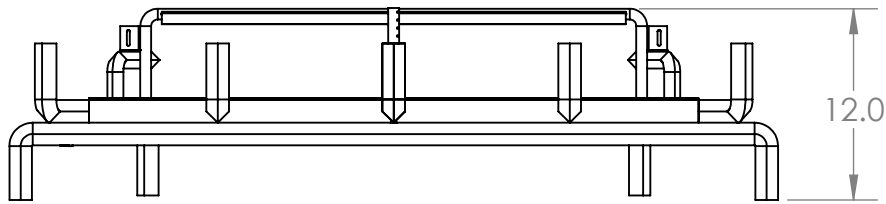
B



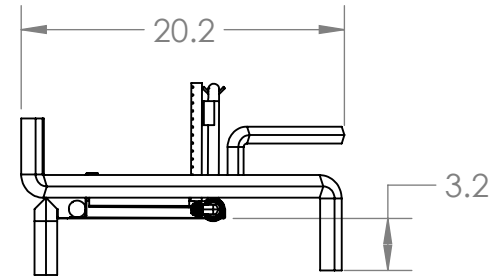
B



A



A



BRANDED: GRAND CANYON GAS LOGS
MODEL #: JUMBOBRNR-48



UNLESS OTHERWISE SPECIFIED:

DIMENSIONS ARE IN INCHES
TOLERANCES:
BEND +2/-0
ONE PLACE DECIMAL ±.125
TWO PLACE DECIMAL ±.0625

INTERPRET GEOMETRIC
TOLERANCING PER:

MATERIAL

FINISH

DO NOT SCALE DRAWING

NAME	DATE
DRAWN RG	8/2/22
CHECKED DF	8/10/22
ENG APPR.	
MFG APPR.	
Q.A.	

PROPRIETARY AND CONFIDENTIAL
THE INFORMATION CONTAINED IN THIS DRAWING IS THE SOLE PROPERTY OF RICHARDSON'S PRODUCT GROUP. ANY REPRODUCTION IN PART OR AS A WHOLE WITHOUT THE WRITTEN PERMISSION OF RICHARDSON'S PRODUCT GROUP IS PROHIBITED.

RPG BRANDS

TITLE:

JUMBOBRNR-48

SIZE

A

DWG. NO.

02-00673

REV

A

SCALE: 1:12 WEIGHT:

SHEET 1 OF 1

2

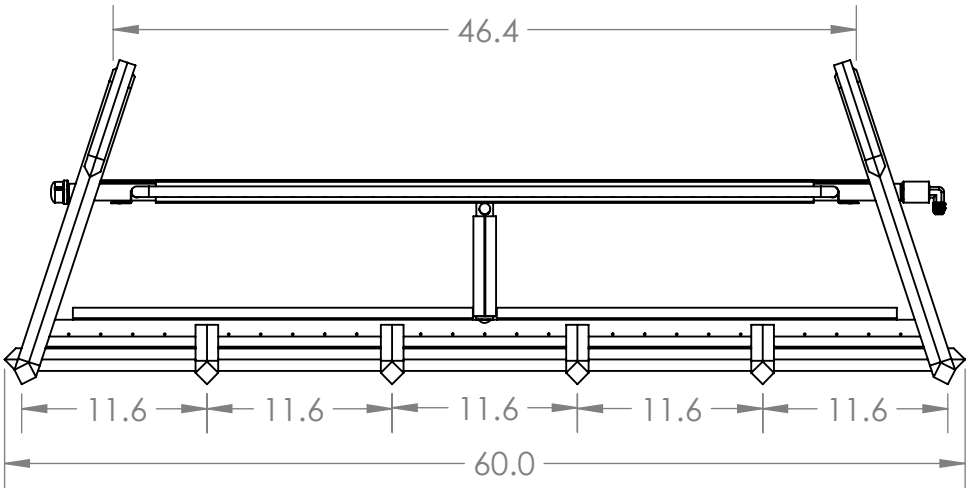
1

2

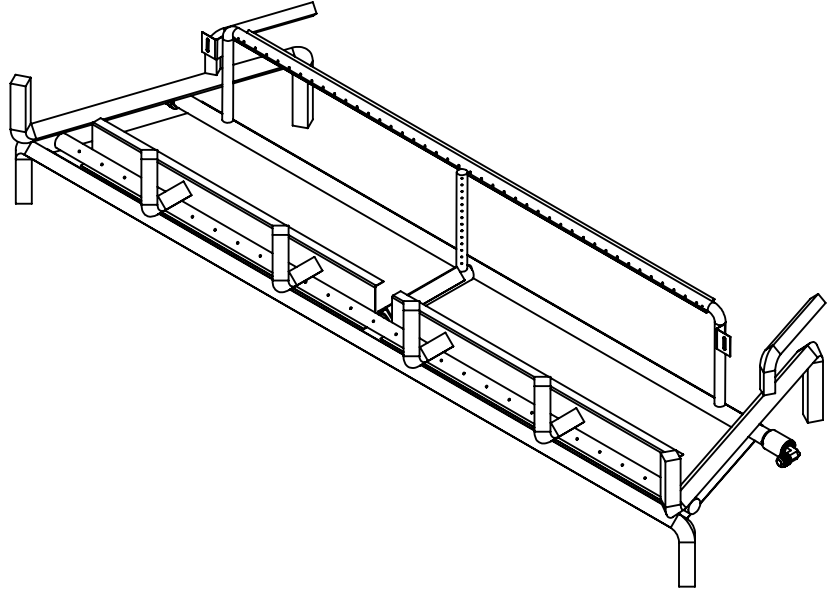
1

REVISIONS			
REV.	DESCRIPTION	DATE	APPROVED
A	RELEASED FOR PRODUCTION	8/2/2022	

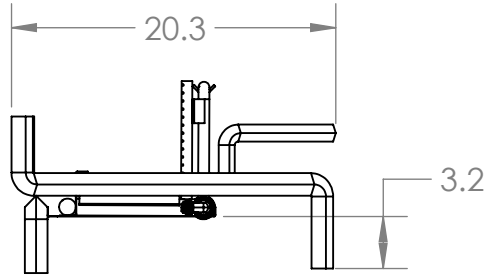
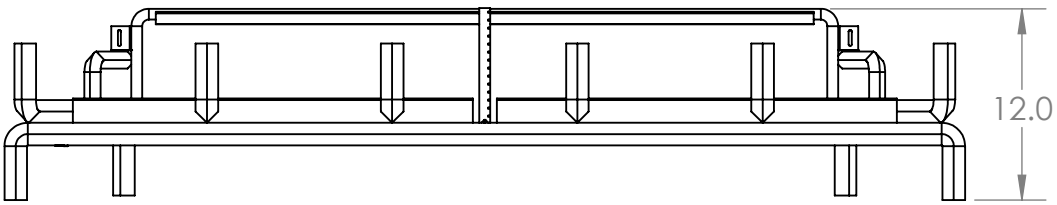
B



B



A



A

BRANDED: GRAND CANYON GAS LOGS
MODEL #: JUMBOBRNR-60



UNLESS OTHERWISE SPECIFIED:

DIMENSIONS ARE IN INCHES
TOLERANCES:
BEND +2/-0
ONE PLACE DECIMAL ±.125
TWO PLACE DECIMAL ±.0625

INTERPRET GEOMETRIC TOLERANCING PER:

MATERIAL

FINISH

DO NOT SCALE DRAWING

	NAME	DATE
DRAWN	RG	8/2/22
CHECKED	DF	8/10/22
ENG APPR.		
MFG APPR.		
Q.A.		

PROPRIETARY AND CONFIDENTIAL
THE INFORMATION CONTAINED IN THIS DRAWING IS THE SOLE PROPERTY OF RICHARDSON'S PRODUCT GROUP. ANY REPRODUCTION IN PART OR AS A WHOLE WITHOUT THE WRITTEN PERMISSION OF RICHARDSON'S PRODUCT GROUP IS PROHIBITED.

RPG BRANDS

TITLE:
JUMBOBRNR-60

SIZE	DWG. NO.	REV
A	02-00674	A

SCALE: 1:12 WEIGHT: SHEET 1 OF 1

2

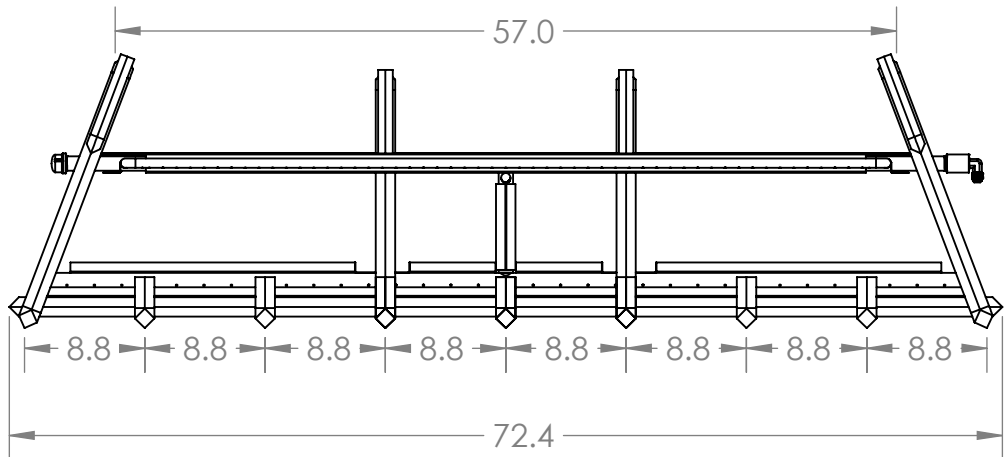
1

2

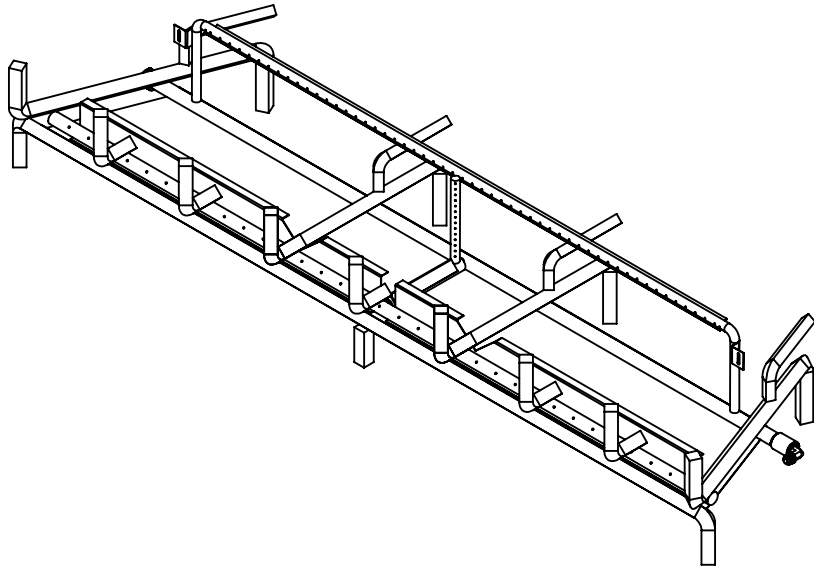
1

REVISIONS			
REV.	DESCRIPTION	DATE	APPROVED
A	RELEASED FOR PRODUCTION	8/2/2022	

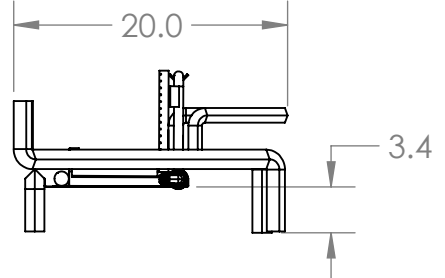
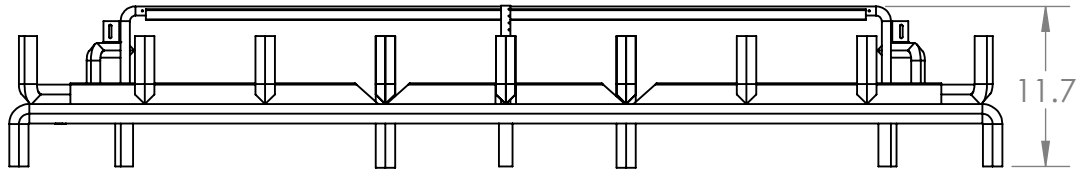
B



B



A



A

BRANDED: GRAND CANYON GAS LOGS
 MODEL #: JUMBOBRNR-72



UNLESS OTHERWISE SPECIFIED:

DIMENSIONS ARE IN INCHES
 TOLERANCES:
 BEND +2/-0
 ONE PLACE DECIMAL ±.125
 TWO PLACE DECIMAL ±.0625

INTERPRET GEOMETRIC TOLERANCING PER:

MATERIAL

FINISH

DO NOT SCALE DRAWING

	NAME	DATE
DRAWN	RG	8/2/22
CHECKED	DF	8/10/22
ENG APPR.		
MFG APPR.		
Q.A.		

PROPRIETARY AND CONFIDENTIAL
 THE INFORMATION CONTAINED IN THIS DRAWING IS THE SOLE PROPERTY OF RICHARDSON'S PRODUCT GROUP. ANY REPRODUCTION IN PART OR AS A WHOLE WITHOUT THE WRITTEN PERMISSION OF RICHARDSON'S PRODUCT GROUP IS PROHIBITED.

RPG BRANDS

TITLE:
 JUMBOBRNR-72

SIZE	DWG. NO.	REV
A	02-00675	A

SCALE: 1:14 WEIGHT: SHEET 1 OF 1

2

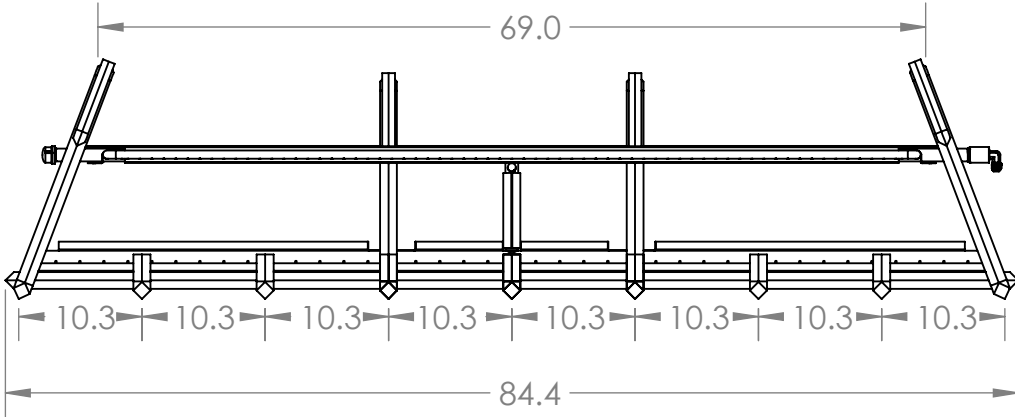
1

2

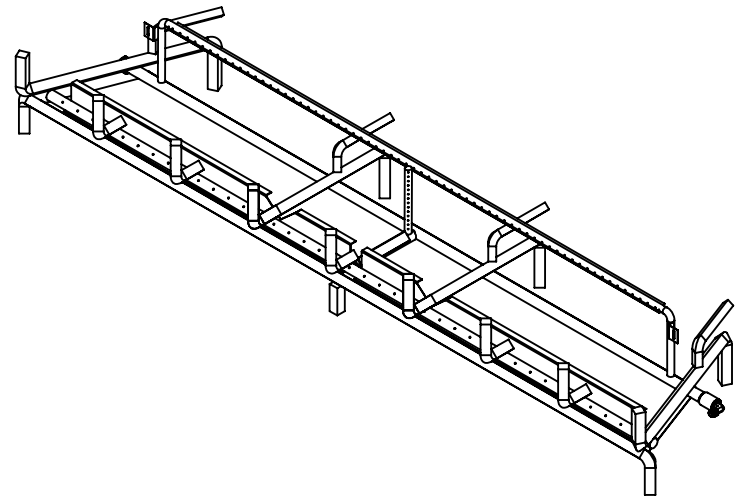
1

REVISIONS			
REV.	DESCRIPTION	DATE	APPROVED
A	RELEASED FOR PRODUCTION	8/2/2022	

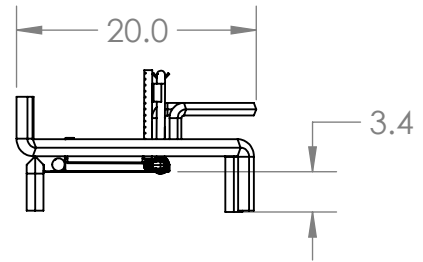
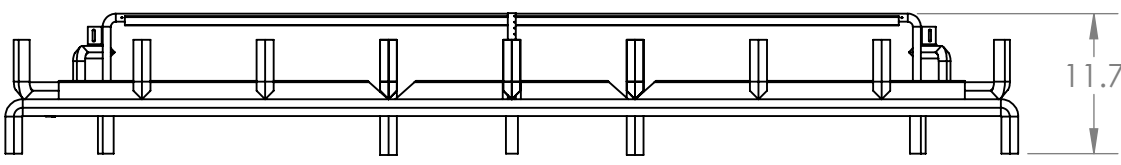
B



B



A



A

BRANDED: GRAND CANYON GAS LOGS
MODEL #: JUMBOBRNR-84



UNLESS OTHERWISE SPECIFIED:	NAME	DATE
DIMENSIONS ARE IN INCHES	DRAWN	RG 8/2/22
TOLERANCES:	CHECKED	DF 8/10/22
BEND +2/-0	ENG APPR.	
ONE PLACE DECIMAL ±.125	MFG APPR.	
TWO PLACE DECIMAL ±.0625	Q.A.	
INTERPRET GEOMETRIC TOLERANCING PER:	PROPRIETARY AND CONFIDENTIAL THE INFORMATION CONTAINED IN THIS DRAWING IS THE SOLE PROPERTY OF RICHARDSON'S PRODUCT GROUP. ANY REPRODUCTION IN PART OR AS A WHOLE WITHOUT THE WRITTEN PERMISSION OF RICHARDSON'S PRODUCT GROUP IS PROHIBITED.	
MATERIAL		
FINISH		
DO NOT SCALE DRAWING		

RPG BRANDS

TITLE:
JUMBOBRNR-84

SIZE	DWG. NO.	REV
A	02-00676	A
SCALE: 1:16 WEIGHT:		SHEET 1 OF 1

2

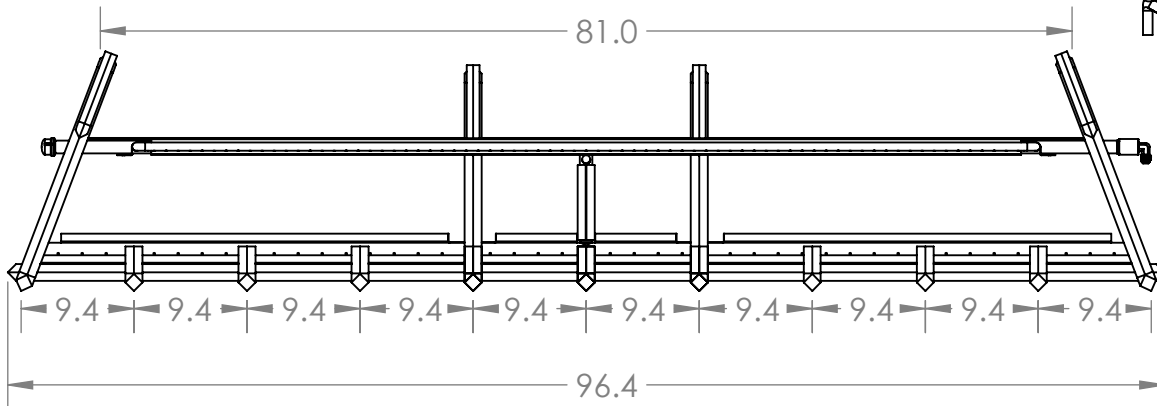
1

2

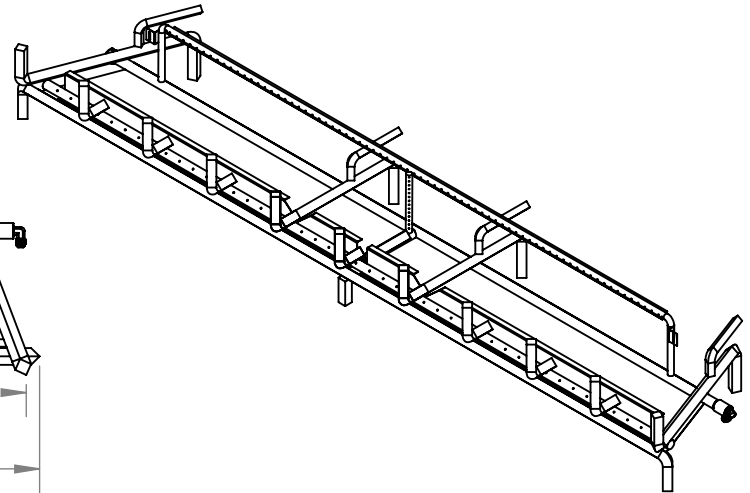
1

REVISIONS			
REV.	DESCRIPTION	DATE	APPROVED
A	RELEASED FOR PRODUCTION	8/2/2022	

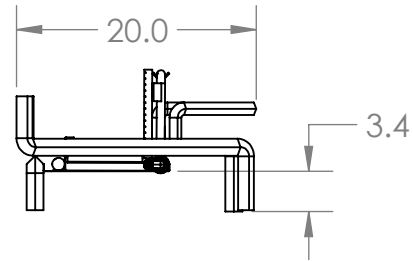
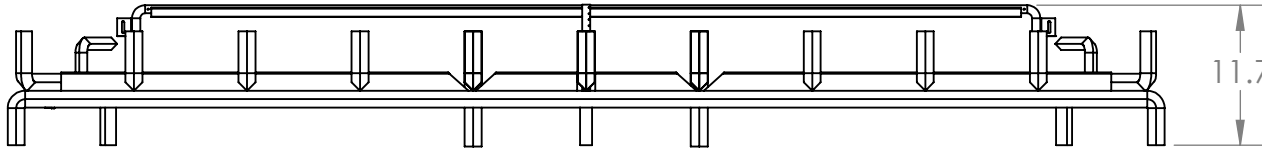
B



B



A



A

BRANDED: GRAND CANYON GAS LOGS
MODEL #: JUMBOBRNR-96



UNLESS OTHERWISE SPECIFIED:

DIMENSIONS ARE IN INCHES
TOLERANCES:
BEND +2/-0
ONE PLACE DECIMAL ±.125
TWO PLACE DECIMAL ±.0625

INTERPRET GEOMETRIC TOLERANCING PER:

MATERIAL

FINISH

DO NOT SCALE DRAWING

	NAME	DATE
DRAWN	RG	8/2/22
CHECKED	DF	8/10/22
ENG APPR.		
MFG APPR.		
Q.A.		

PROPRIETARY AND CONFIDENTIAL
THE INFORMATION CONTAINED IN THIS DRAWING IS THE SOLE PROPERTY OF RICHARDSON'S PRODUCT GROUP. ANY REPRODUCTION IN PART OR AS A WHOLE WITHOUT THE WRITTEN PERMISSION OF RICHARDSON'S PRODUCT GROUP IS PROHIBITED.

RPG BRANDS

TITLE:
JUMBOBRNR-96

SIZE	DWG. NO.	REV
A	02-00677	A

SCALE: 1:16 WEIGHT: SHEET 1 OF 1

2

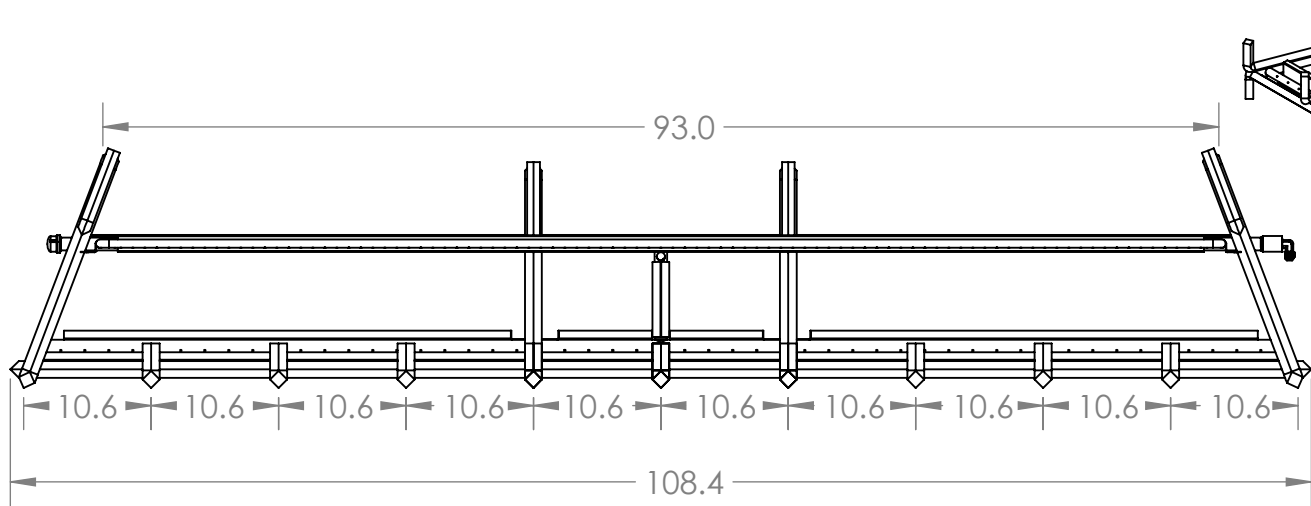
1

2

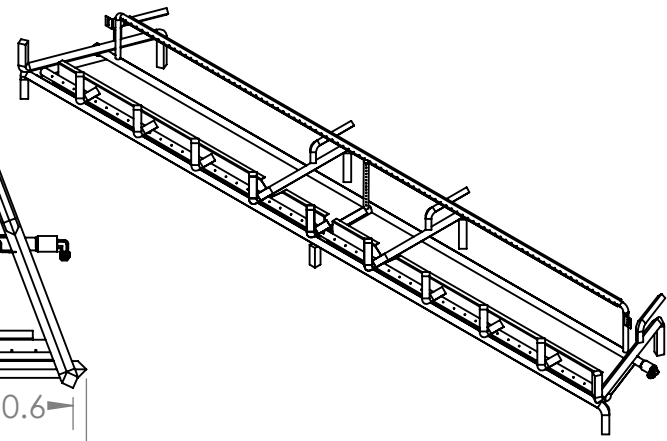
1

REVISIONS			
REV.	DESCRIPTION	DATE	APPROVED
A	RELEASED FOR PRODUCTION	8/2/2022	

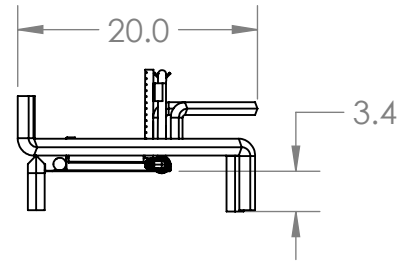
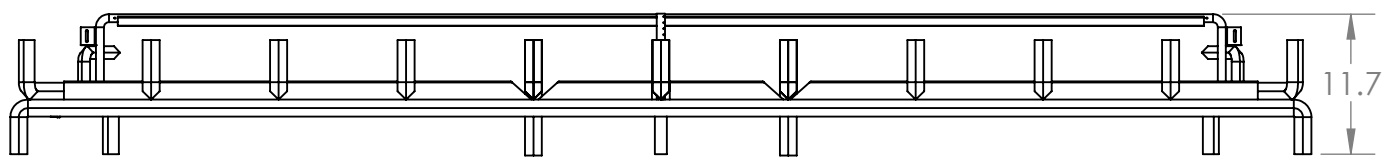
B



B



A



A

BRANDED: GRAND CANYON GAS LOGS
 MODEL #: JUMBOBRNR-108



UNLESS OTHERWISE SPECIFIED:	NAME	DATE
DIMENSIONS ARE IN INCHES	DRAWN RG	8/2/22
TOLERANCES:	CHECKED DF	8/10/22
BEND +2/-0	ENG APPR.	
ONE PLACE DECIMAL ±.125	MFG APPR.	
TWO PLACE DECIMAL ±.0625	Q.A.	
INTERPRET GEOMETRIC TOLERANCING PER:	PROPRIETARY AND CONFIDENTIAL THE INFORMATION CONTAINED IN THIS DRAWING IS THE SOLE PROPERTY OF RICHARDSON'S PRODUCT GROUP. ANY REPRODUCTION IN PART OR AS A WHOLE WITHOUT THE WRITTEN PERMISSION OF RICHARDSON'S PRODUCT GROUP IS PROHIBITED.	
MATERIAL		
FINISH		
DO NOT SCALE DRAWING		

RPG BRANDS

TITLE:
JUMBOBRNR-108

SIZE	DWG. NO.	REV
A	02-00678	A
SCALE: 1:16 WEIGHT:		SHEET 1 OF 1

2

1

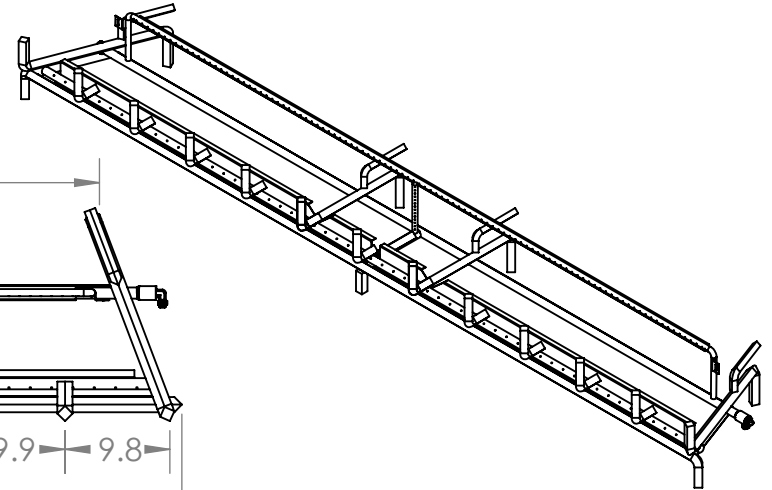
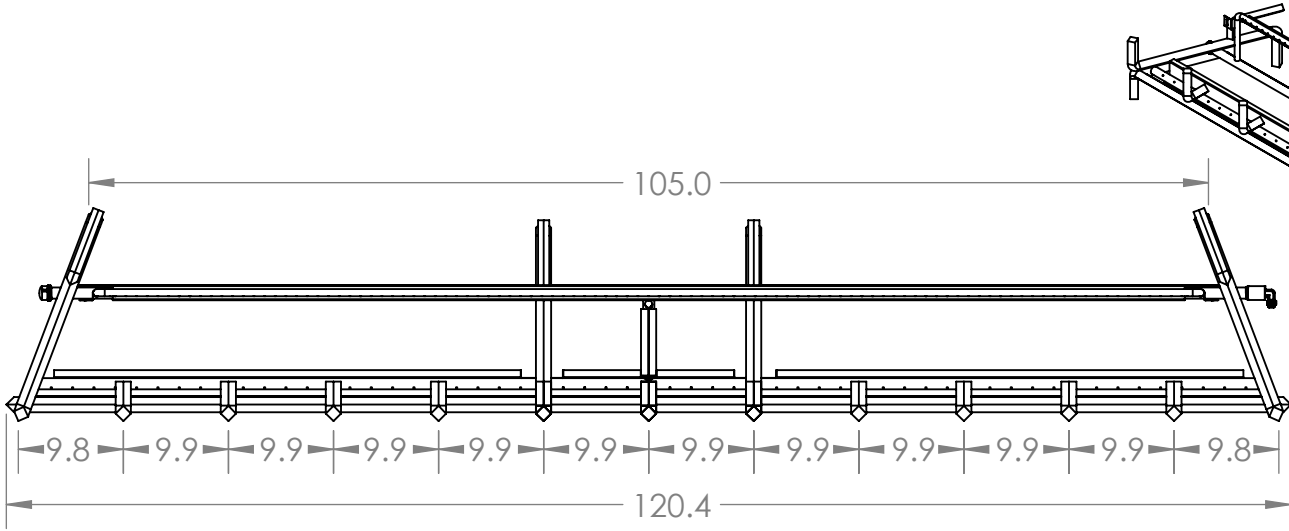
2

1

REVISIONS			
REV.	DESCRIPTION	DATE	APPROVED
A	RELEASED FOR PRODUCTION	8/2/2022	

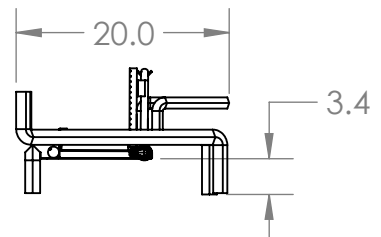
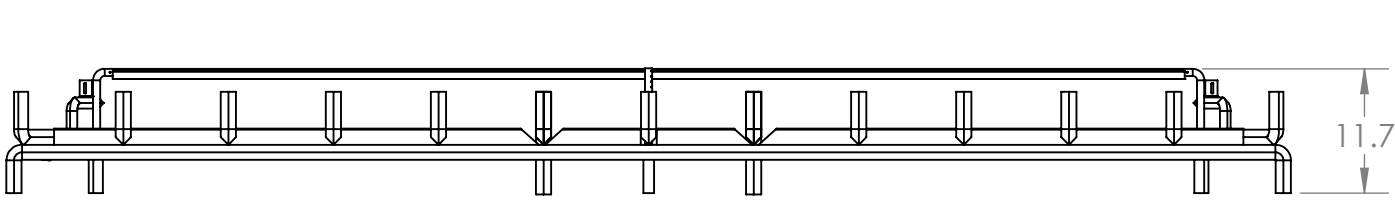
B

B



A

A



BRANDED: GRAND CANYON GAS LOGS
 MODEL #: JUMBOBRNR-120



UNLESS OTHERWISE SPECIFIED:	NAME	DATE
DIMENSIONS ARE IN INCHES	DRAWN	RG 8/2/22
TOLERANCES:	CHECKED	DF 8/10/22
BEND +2/-0	ENG APPR.	
ONE PLACE DECIMAL ±.125	MFG APPR.	
TWO PLACE DECIMAL ±.0625	Q.A.	
INTERPRET GEOMETRIC TOLERANCING PER:	PROPRIETARY AND CONFIDENTIAL THE INFORMATION CONTAINED IN THIS DRAWING IS THE SOLE PROPERTY OF RICHARDSON'S PRODUCT GROUP. ANY REPRODUCTION IN PART OR AS A WHOLE WITHOUT THE WRITTEN PERMISSION OF RICHARDSON'S PRODUCT GROUP IS PROHIBITED.	
MATERIAL		
FINISH		
DO NOT SCALE DRAWING		

RPG BRANDS

TITLE:	JUMBOBRNR-120	
SIZE	DWG. NO.	REV
A	02-00679	A

SCALE: 1:18	WEIGHT:	SHEET 1 OF 1
-------------	---------	--------------

2

1