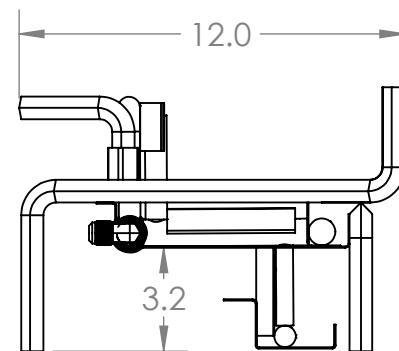
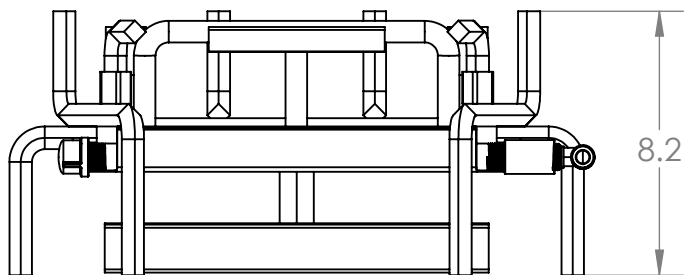
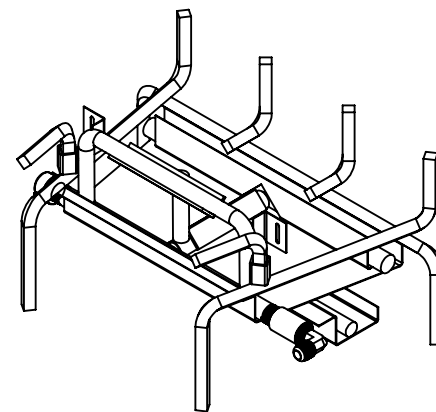
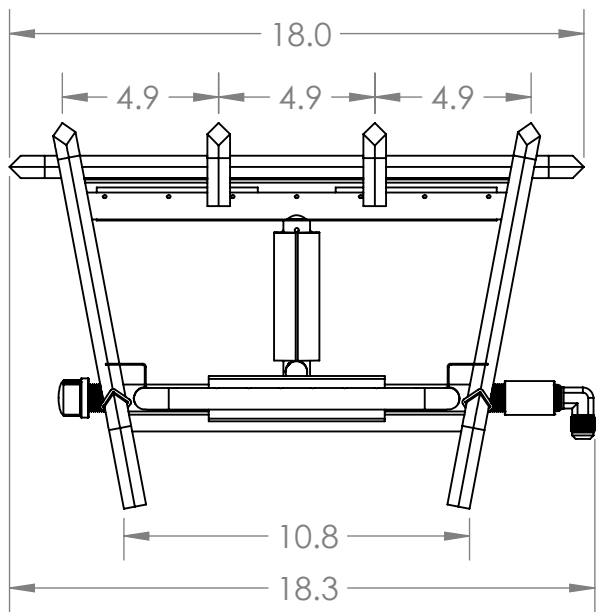


2

1

REVISIONS			
REV.	DESCRIPTION	DATE	APPROVED
A	RELEASED FOR PRODUCTION	7/19/22	



BRANDED: GRAND CANYON GAS LOGS
MODEL #: 3BRN-18



UNLESS OTHERWISE SPECIFIED:	NAME	DATE
DIMENSIONS ARE IN INCHES	DRAWN	RG 8/2/22
TOLERANCES:	CHECKED	DF 8/10/22
BEND +2/-0	ENG APPR.	
ONE PLACE DECIMAL ±.125	MFG APPR.	
TWO PLACE DECIMAL ±.0625	Q.A.	
INTERPRET GEOMETRIC TOLERANCING PER:	PROPRIETARY AND CONFIDENTIAL THE INFORMATION CONTAINED IN THIS DRAWING IS THE SOLE PROPERTY OF RICHARDSON'S PRODUCT GROUP. ANY REPRODUCTION IN PART OR AS A WHOLE WITHOUT THE WRITTEN PERMISSION OF RICHARDSON'S PRODUCT GROUP IS PROHIBITED.	
MATERIAL		
FINISH	SEE NOTE	
DO NOT SCALE DRAWING		

RPG BRANDS		
TITLE:		
3BRN-18		
SIZE	DWG. NO.	REV
A	02-00393	A
SCALE: 1:6	WEIGHT:	SHEET 1 OF 1

B

B

A

A

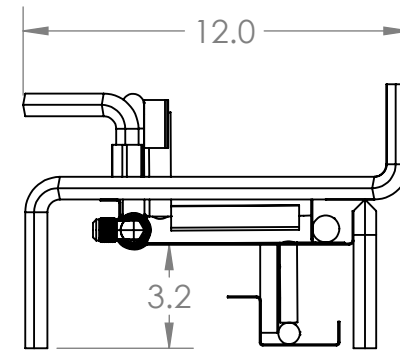
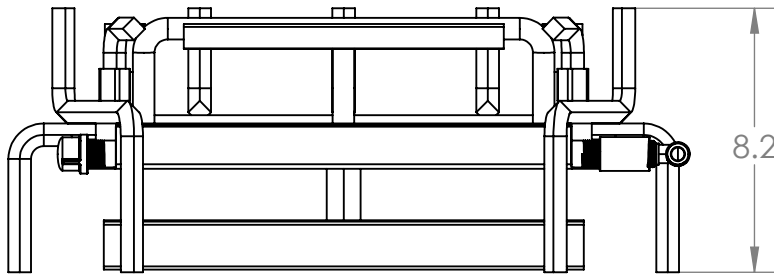
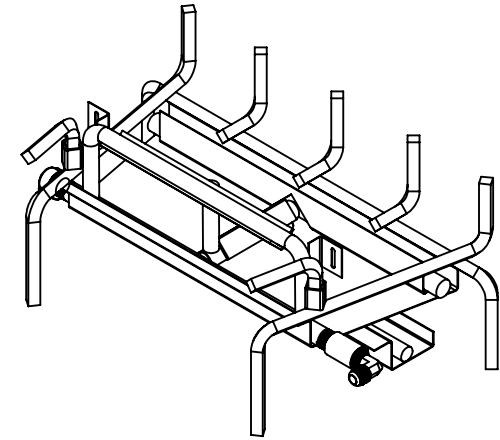
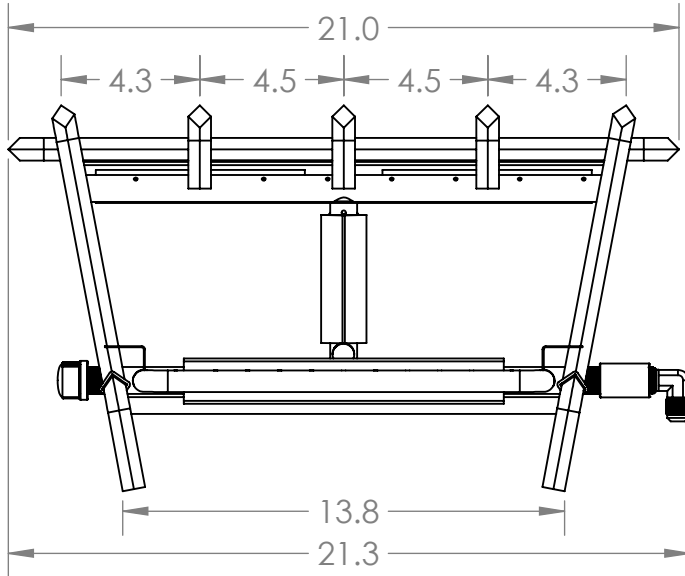
2

1

2

1

REVISIONS				
ZONE	REV.	DESCRIPTION	DATE	APPROVED
	A	RELEASED FOR PRODUCTION	7/19/22	



BRANDED: GRAND CANYON GAS LOGS
MODEL #: 3BRN-21



UNLESS OTHERWISE SPECIFIED:		NAME	DATE	RPG BRANDS		
DIMENSIONS ARE IN INCHES		DRAWN	RG			8/2/22
TOLERANCES: BEND +2/-0		CHECKED	DF			8/10/22
ONE PLACE DECIMAL ±.125		ENG APPR.				
TWO PLACE DECIMAL ±.0625		MFG APPR.				
INTERPRET GEOMETRIC TOLERANCING PER:		Q.A.			TITLE:	
MATERIAL		PROPRIETARY AND CONFIDENTIAL THE INFORMATION CONTAINED IN THIS DRAWING IS THE SOLE PROPERTY OF RICHARDSON'S PRODUCT GROUP. ANY REPRODUCTION IN PART OR AS A WHOLE WITHOUT THE WRITTEN PERMISSION OF RICHARDSON'S PRODUCT GROUP IS PROHIBITED.			3BRN-21	
FINISH		SIZE	DWG. NO.	REV		
DO NOT SCALE DRAWING		A	02-00394	A		
		SCALE: 1:6	WEIGHT:	SHEET 1 OF 1		

2

1

B

B

A

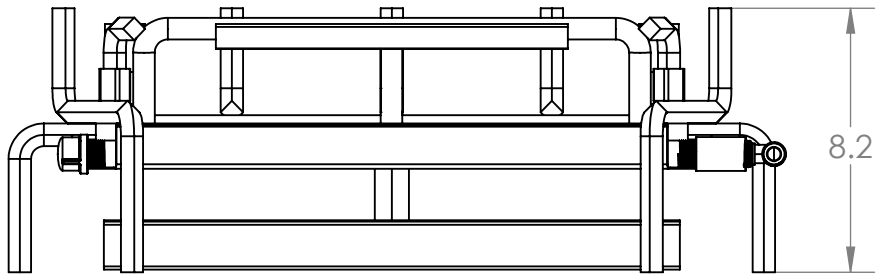
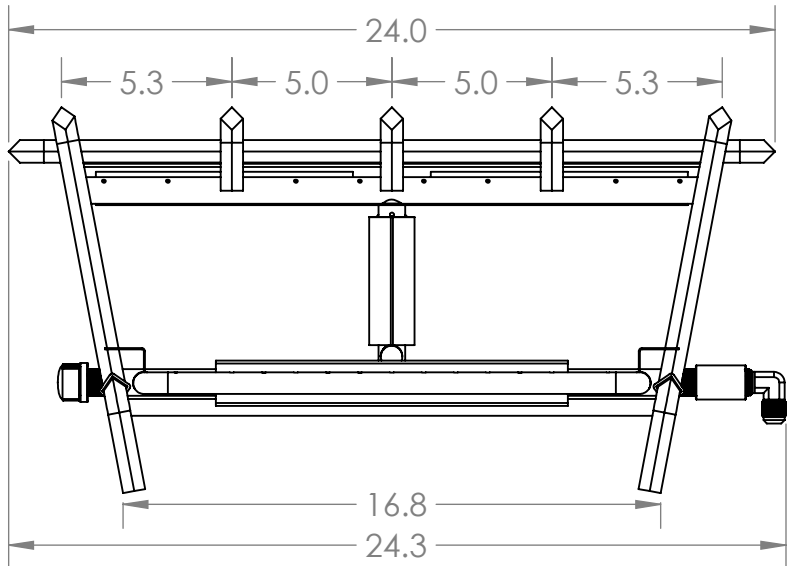
A

2

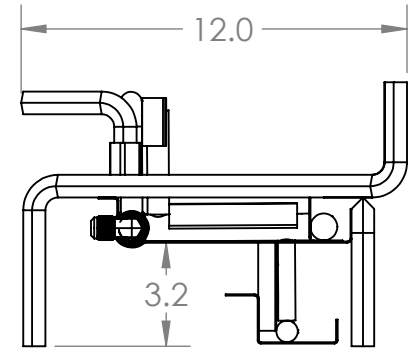
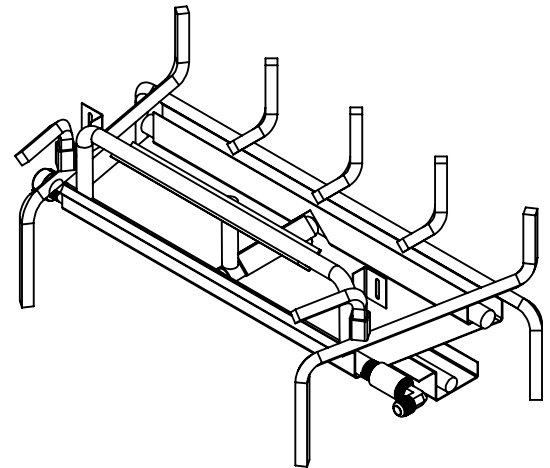
1

REVISIONS			
REV.	DESCRIPTION	DATE	APPROVED
A	RELEASED FOR PRODUCTION	7/19/22	

B



B



A

A

BRANDED: GRAND CANYON GAS LOGS
MODEL #: 3BRN-24



UNLESS OTHERWISE SPECIFIED:	NAME	DATE
DIMENSIONS ARE IN INCHES	DRAWN	RG 8/2/22
TOLERANCES:	CHECKED	DF 8/10/22
BEND +2/-0	ENG APPR.	
ONE PLACE DECIMAL ±.125	MFG APPR.	
TWO PLACE DECIMAL ±.0625	Q.A.	
INTERPRET GEOMETRIC TOLERANCING PER:	PROPRIETARY AND CONFIDENTIAL THE INFORMATION CONTAINED IN THIS DRAWING IS THE SOLE PROPERTY OF RICHARDSON'S PRODUCT GROUP. ANY REPRODUCTION IN PART OR AS A WHOLE WITHOUT THE WRITTEN PERMISSION OF RICHARDSON'S PRODUCT GROUP IS PROHIBITED.	
MATERIAL		
FINISH		
DO NOT SCALE DRAWING		

RPG BRANDS		
TITLE:		
3BRN-24		
SIZE	DWG. NO.	REV
A	02-00395	A
SCALE: 1:6	WEIGHT:	SHEET 1 OF 1

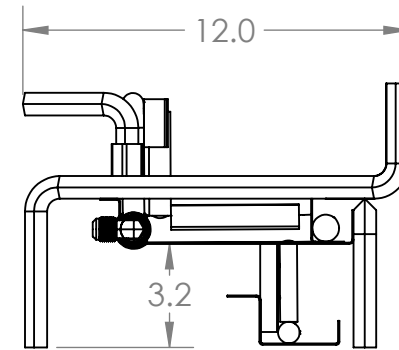
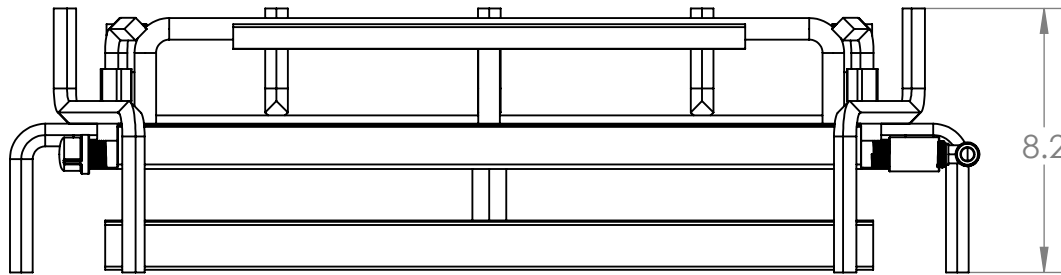
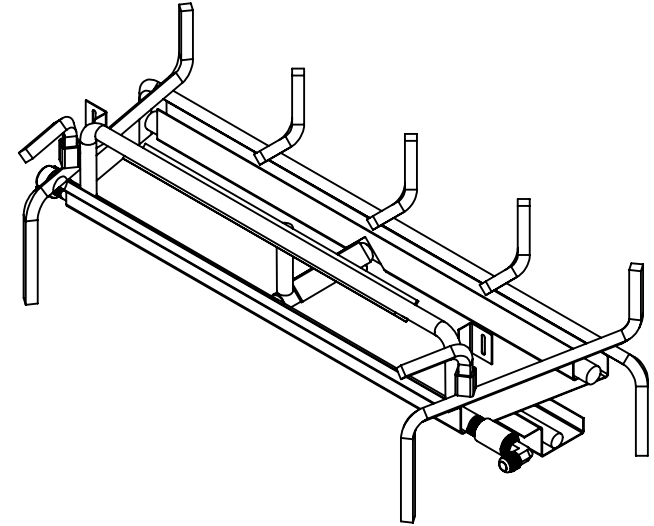
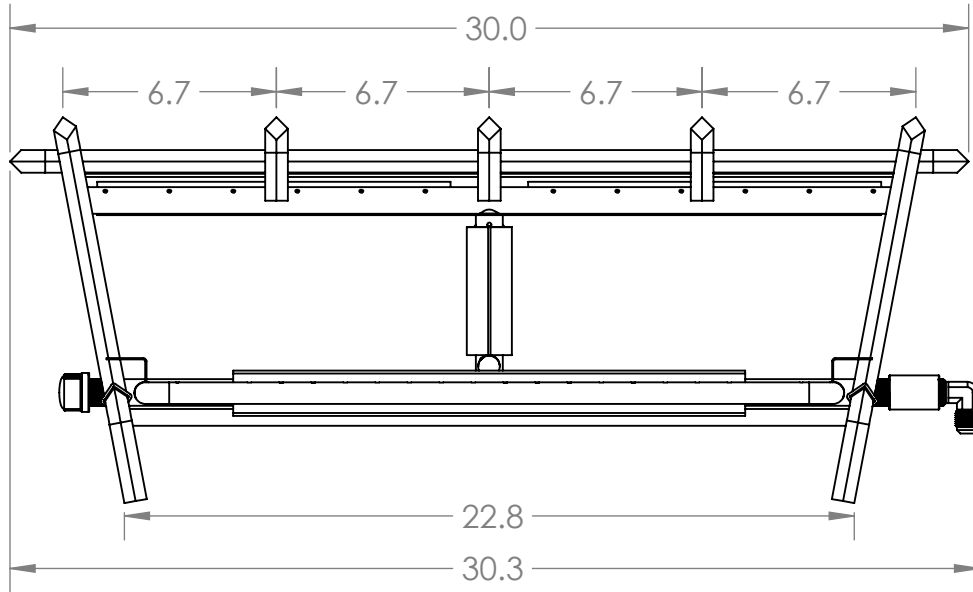
2

1

2

1

REVISIONS			
REV.	DESCRIPTION	DATE	APPROVED
A	RELEASED FOR PRODUCTION	7/19/22	



B

B

A

A

BRANDED: GRAND CANYON GAS LOGS
MODEL #: 3BRN-30



UNLESS OTHERWISE SPECIFIED:

DIMENSIONS ARE IN INCHES
TOLERANCES:
BEND +2/-0
ONE PLACE DECIMAL ±.125
TWO PLACE DECIMAL ±.0625

INTERPRET GEOMETRIC
TOLERANCING PER:

MATERIAL

FINISH

DO NOT SCALE DRAWING

	NAME	DATE
DRAWN	RG	8/2/22
CHECKED	DF	8/10/22
ENG APPR.		
MFG APPR.		
Q.A.		

PROPRIETARY AND CONFIDENTIAL
THE INFORMATION CONTAINED IN
THIS DRAWING IS THE SOLE PROPERTY
OF RICHARDSON'S PRODUCT
GROUP. ANY REPRODUCTION IN
PART OR AS A WHOLE WITHOUT THE
WRITTEN PERMISSION OF
RICHARDSON'S PRODUCT GROUP IS
PROHIBITED.

RPG BRANDS

TITLE:

3BRN-30

SIZE	DWG. NO.	REV
A	02-00396	A

SCALE: 1:6 WEIGHT: SHEET 1 OF 1

2

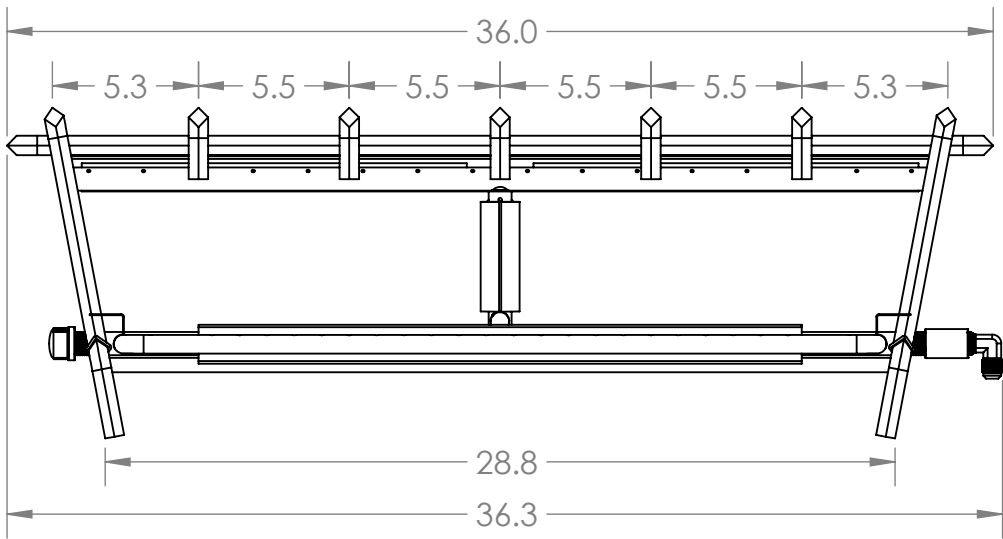
1

2

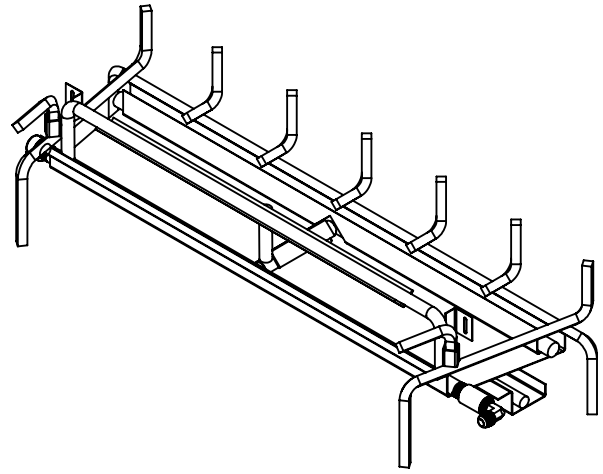
1

REVISIONS			
REV.	DESCRIPTION	DATE	APPROVED
A	RELEASED FOR PRODUCTION	7/19/22	

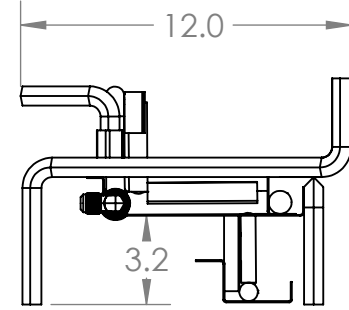
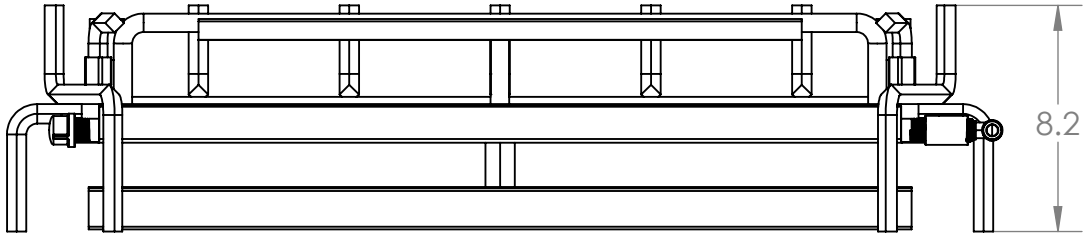
B



B



A



A

BRANDED: GRAND CANYON GAS LOGS
MODEL #: 3BRN-36



UNLESS OTHERWISE SPECIFIED:

DIMENSIONS ARE IN INCHES
TOLERANCES:
BEND +2/-0
ONE PLACE DECIMAL ±.125
TWO PLACE DECIMAL ±.0625

INTERPRET GEOMETRIC TOLERANCING PER:

MATERIAL

FINISH

DO NOT SCALE DRAWING

	NAME	DATE
DRAWN	RG	8/2/22
CHECKED	DF	8/10/22
ENG APPR.		
MFG APPR.		
Q.A.		

PROPRIETARY AND CONFIDENTIAL
THE INFORMATION CONTAINED IN THIS DRAWING IS THE SOLE PROPERTY OF RICHARDSON'S PRODUCT GROUP. ANY REPRODUCTION IN PART OR AS A WHOLE WITHOUT THE WRITTEN PERMISSION OF RICHARDSON'S PRODUCT GROUP IS PROHIBITED.

RPG BRANDS

TITLE:

3BRN-36

SIZE	DWG. NO.	REV
A	02-00397	A

SCALE: 1:7 WEIGHT: SHEET 1 OF 1

2

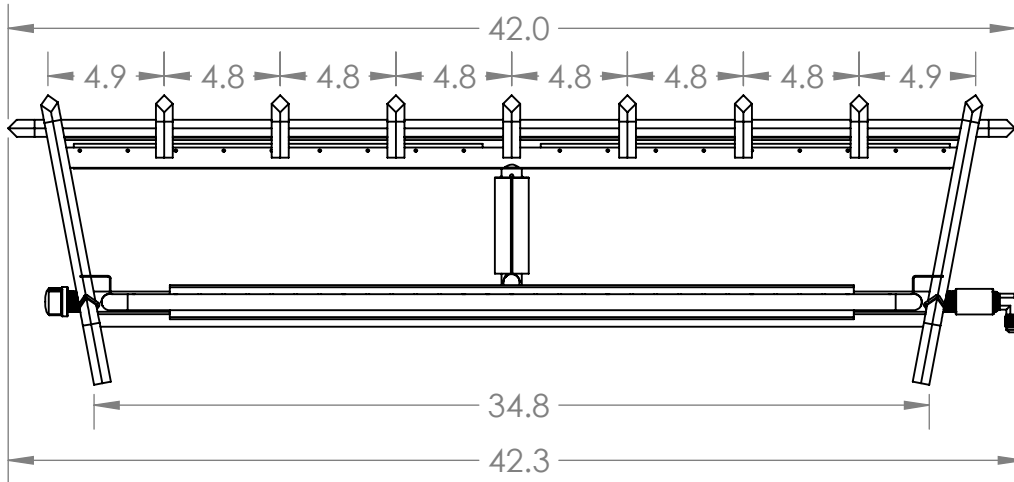
1

2

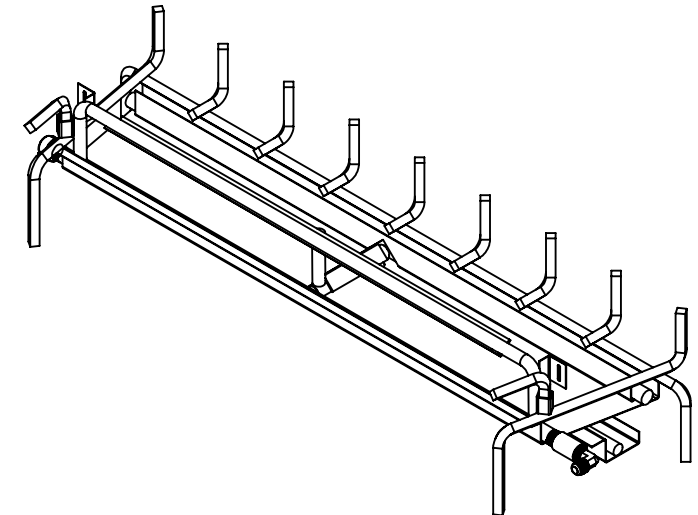
1

REVISIONS			
REV.	DESCRIPTION	DATE	APPROVED
A	RELEASED FOR PRODUCTION	7/19/22	

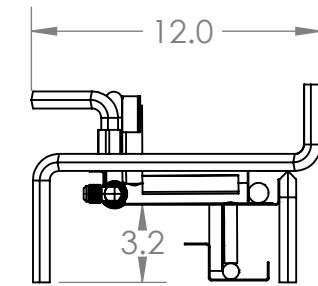
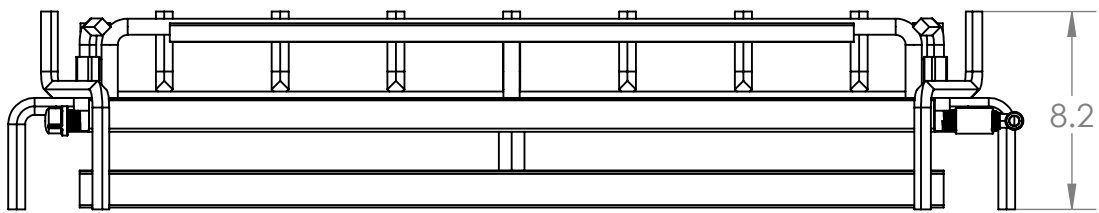
B



B



A



A

BRANDED: GRAND CANYON GAS LOGS
MODEL #: 3BRN-42



UNLESS OTHERWISE SPECIFIED:	NAME	DATE
DIMENSIONS ARE IN INCHES	DRAWN	RG 8/2/22
TOLERANCES:	CHECKED	DF 8/10/22
BEND +2/-0	ENG APPR.	
ONE PLACE DECIMAL ±.125	MFG APPR.	
TWO PLACE DECIMAL ±.0625	Q.A.	
INTERPRET GEOMETRIC TOLERANCING PER:	PROPRIETARY AND CONFIDENTIAL THE INFORMATION CONTAINED IN THIS DRAWING IS THE SOLE PROPERTY OF RICHARDSON'S PRODUCT GROUP. ANY REPRODUCTION IN PART OR AS A WHOLE WITHOUT THE WRITTEN PERMISSION OF RICHARDSON'S PRODUCT GROUP IS PROHIBITED.	
MATERIAL		
FINISH		
DO NOT SCALE DRAWING		

RPG BRANDS

TITLE:
3BRN-42

SIZE	DWG. NO.	REV
A	02-00398	A

SCALE: 1:8	WEIGHT:	SHEET 1 OF 1
------------	---------	--------------

2

1