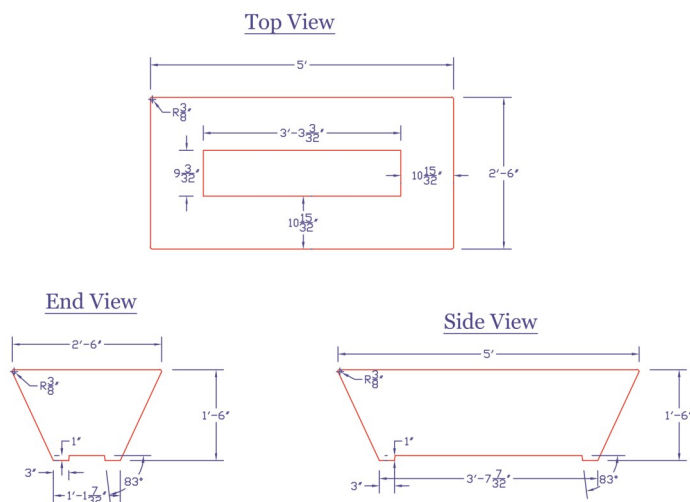
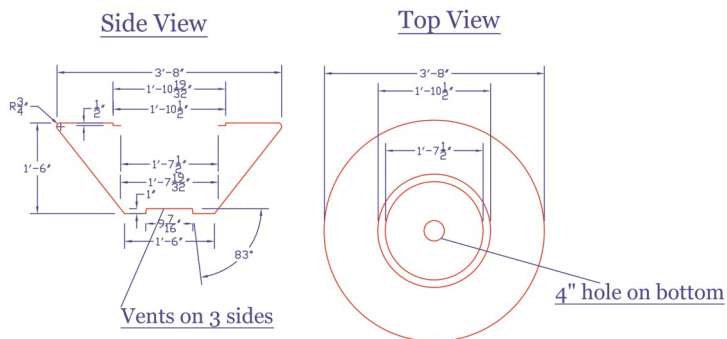


# Dimensions & Parts List

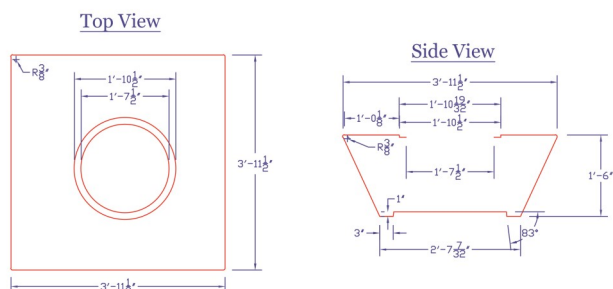
## Rectangular Fire Table



## Square Fire Table



## Square Fire Table



Minimum Clearance To Combustibles		
Side Walls	Ceiling	Floor
16"	68"	N/A

Pressure	NG	LP
Min. Inlet	3.5" W.C.	8" W.C.
Max. Inlet	14" W.C.	14" W.C.
Normal	7" W.C.	11" W.C.

## Burner Specifications

Model #	Pan Length	Pan Width	Burner Length	Burner Width	BTU NG	BTU LP
DIP-LN-48	51"	8.5"	44"	0.5"	95K	95K
DIP-LN-36	39"	9"	34"	0.5"	65K	65K
DIP-RN-19	22"	22"	12"	12"	65K	65K

### Parts List

1.	Fire Table
2.	Burner & Pan
3.	NG or LP Orifice
4.	Installation Kit
5.	Installation Manual

1. Fire Table (Not Shown Below) is available in Rectangular, Round or Square. Fire Tables also available in 5 colors, Black "BLK", Gray "GRY", White "WHT", Rust "RST" & Bone "BON".
2. Rectangular Fire Tables accept liner drop-in burner. Square & Round Fire Tables accept round drop-in burner.
3. Pre drilled Orifices for Natural Gas or Liquid Propane are included
4. Install Kit Includes mounting bracket, 1/2" key valve, 3" Key, Flex line & connection fittings

