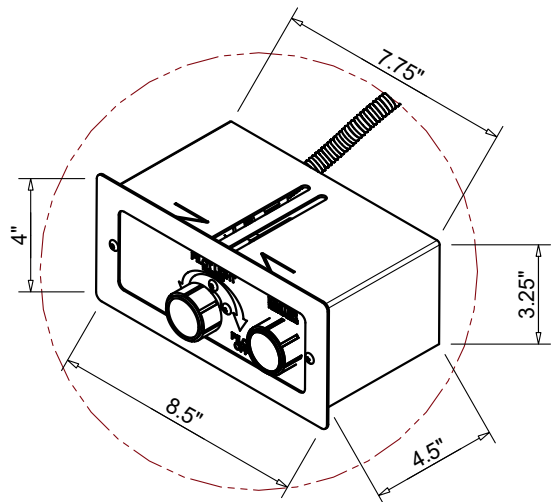
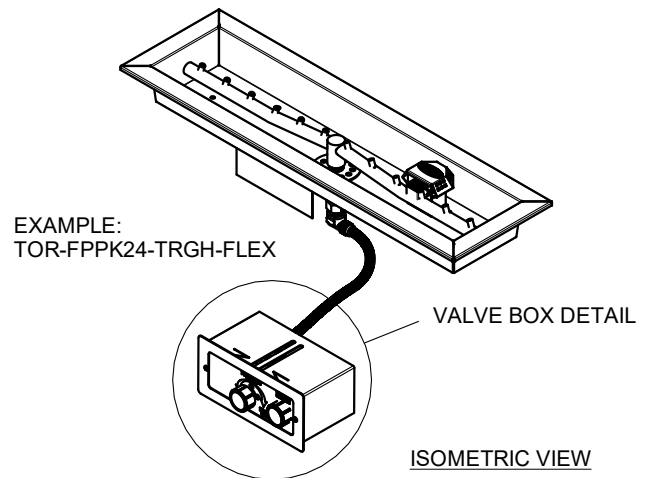
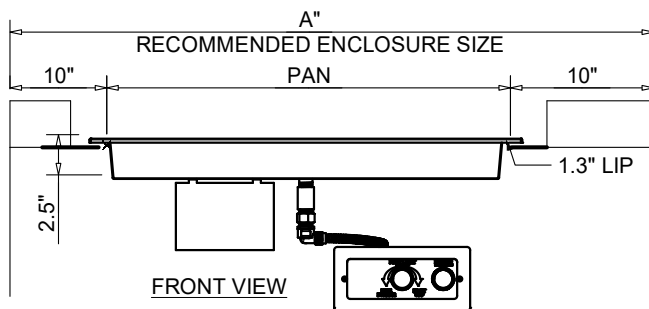
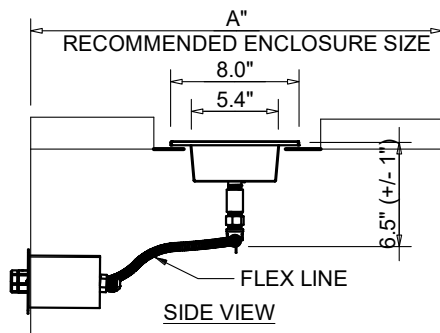




FIRE INSPIRED[®]

**CSA CERTIFIED-OUTDOOR USE ONLY
FOR COMMERCIAL AND RESIDENTIAL USE**

**HEARTH PRODUCTS CONTROLS
2225 LYONS RD.
MIAMISBURG, OH 45342
TOLL FREE: 877.585.9800
PHONE: 937.436.9800
www.hpcfire.com**



SPARK IGNITION BY AA BATTERY
MATERIAL: 304 STAINLESS STEEL

*FOR TORPEDO BURNERS ADD TOR-

PART NUMBER	PAN	DIMENSION CHART				STND FLEX LINE LENGTH
		STANDARD BTU PENTA	STANDARD BTU TORPEDO	A"		
TOR- FPPK24-TRGH-FLEX	24.5"	50K	75K	44LX24W	36"	
TOR- FPPK36-TRGH-FLEX	36.5"	75K	115K	56LX24W	36"	
TOR- FPPK48-TRGH-FLEX	48.5"	90K	150K	68LX24W	36"	
TOR- FPPK60-TRGH-FLEX	60.5"	90K	175K	80LX24W	36"	
TOR- FPPK72-TRGH-FLEX	72.5"	140K	200K	92LX24W	36"	
TOR- FPPK96-TRGH-FLEX	96.5"	140K	250K	116LX24W	36"	

NOTES:

1. PROPER VENTING

- ENCLOSURES:
 - For Fire Pit Inserts upto 200K BTU: Required 2 vents, 18 sq.in. each on opposing sides.
 - For Fire Pit Inserts 200K to 400K BTU: Required 4 vents, 18 sq.in. each on opposing sides.
- BOWLS (Copper, concrete or metal) - Bowl to be raised above mounting surface minimum of 3/4" gap; Bowl to have a minimum of 6" diameter hole in bottom

2. GAS SUPPLY

- Natural Gas: Supply Pressure: Minimum: 3.5" W.C; Maximum: 7.0" W.C.
- LP Gas: Supply Pressure: Minimum: 8" W.C.; Maximum: 11.0" W.C.

IMPORTANT: Ensure any flex line that may be used from the permanent main fuel supply to the product is rated to the stated max btu of the product and certified to ANSI Z21.75*CSA 6.27.

3. MODIFICATION OF PRODUCT WILL VOID ANY CERTIFICATION AND WARRANTY.

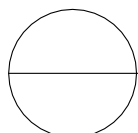
4. FOLLOW ALL MANUFACTURER INSTALLATION INSTRUCTIONS AND LOCAL CODES.

5. ALL DIMENSIONS ARE CONSIDERED TRUE AND REFLECT MANUFACTURER'S SPECIFICATIONS AS OF THE REVISION DATE.

6. DO NOT SCALE DRAWING.

7. THESE DRAWINGS ARE FOR SIZING AND PLANNING PURPOSES. ALL INFORMATION CONTAINED HEREIN WAS CURRENT AT THE TIME OF DEVELOPMENT. THE MANUFACTURER'S RESPONSIBLE FOR THE ACCURACY OF THE DRAWING.

8. CONTRACTOR'S NOTE: FOR PRODUCT AND COMPANY INFORMATION VISIT www.CADdetails.com/info REFERENCE NUMBER 771-005.



**PUSH BUTTON/FLAME SENSING FIRE PIT INSERT - WITH FLEX LINE
LINEAR TROUGH PAN - FPPK**

