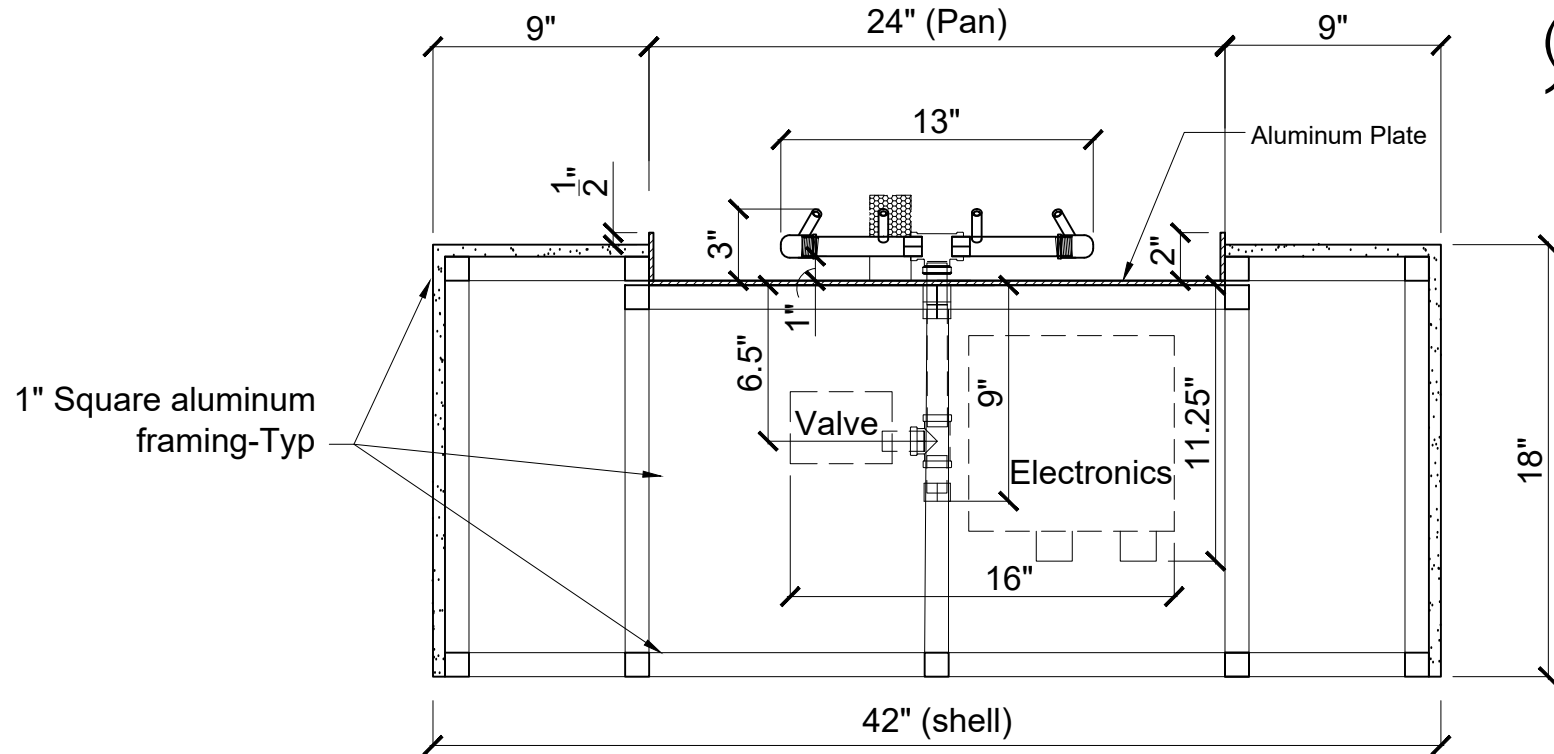


FO42NG  
FO42LP  
(CFB120-V2,  
120K BTU)



## SECTION VIEW

### PRODUCT DESCRIPTION:

The CFB120-V2 is established with a specific air-to-gas mixture ratio which produces a taller, brighter flame while using half the fuel of conventional fire rings.

CFB120-V2:

MAX OUTPUT: 120,000 BTU

DIMENSIONS: 13"L x 13"W x 3 1/4"H

Made from all brass, the Crossfire Brass Burner is non-corrosive and comes with a FULL LIFETIME WARRANTY.

### NOTES:

1. For outdoor/ exterior use only.
2. Modification of product will void any certification and warranty. Please see Warming Trends Warranty.
3. Follow all installation instructions and local codes.
4. Recommended to be installed by a certified plumbing professional.

**WarmingTrends**

**CROSSFIRE**  
BRASS BURNERS

www.warming-trends.com

### CONFIDENTIAL:

Any information data and drawings embodied in this document are proprietary and strictly confidential, are to be held as confidential and supplied with the understanding that they will not be disclosed, in whole or in part or in any form, to third parties without the prior written consent of Warming Trends, Inc. All information, illustrations, screen shots, and data contained are herein Copyright © Warming Trends Inc. all rights reserved.

Date: MAY 2017

Customer:

Scale: 1 1/2" = 1'-0"

Tolerance: 0.125"

Dwg: S:\\_AutoCad Drawings\2017-STANDARD CFB Final Drawings\RTF KITS\Octagon\FO42\_120K v2