

TECHNICAL DATA

Specific features ♦ ZERO CLEARANCE WOOD FIREPLACE

Model	Solution 2.5 ZC II
Color	Metallic black
Maximum burn time*	8 hours
Combustion technology	Non-catalytic
Maximum recommended heating area*	750 to 2 200 sq. ft.
Overall heat output rate (min. to max.)	14,200 BTU/h to 48,200 BTU/h
Maximum heat output (dry cordwood)	80,000 BTU/h
Optimum efficiency	74 %
Average particulate emissions rate	1.14 g/h
Door opening dimensions (W x H)	25 3/8" x 10 1/2"
Firebox dimensions (W x D x H), behind andiron	20 3/8" x 17 1/2" x 12 1/8"
Firebox volume	2.5 cu. ft.
Glass viewing area (W x H)	22 1/4" x 13 1/2"
Door type	Double door with cast-iron frame
Maximum log length	20"
Log positioning	East / West
Flue spigot diameter	6"
Minimum chimney height (from the base of fireplace)	15'
Glass type	Ceramic glass
Warranty	Lifetime, limited
Test standard - Emissions / efficiency	EPA / CSA B415.1-10
Test standard - Safety	As per ULC-S610, UL 127, NFPA 211 et CSA B365, applicable in Canada and in the USA

Exterior dimensions and weight

Width	36 3/4"
Depth	23 7/8"
Height	40 5/8"
Weight	523 lb (237 kg)

Clearances to combustible materials* (See drawing beside)

Side wall	13"
Back wall	0"
Sides	0"
Floor	0"
Ceiling	80"
Shelf (from the base of fireplace)	58"
Side mantle	8"
Non-combustible surround (top)	0"
Non-combustible surround (sides)	0"

Options and required components

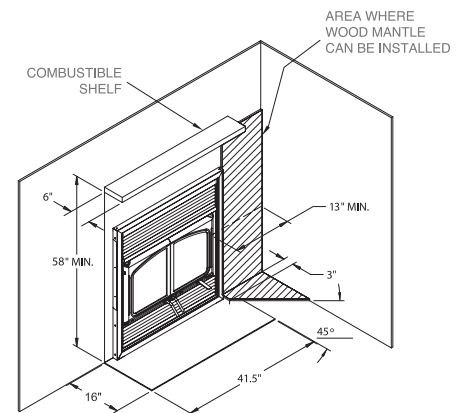
Black faceplate	Required
Rustic-style or traditional style black louvers	Required
Hot air gravity kit (see page 22)	Optional
Forced air kit (6") (see page 22)	Optional
Firescreen door	Optional
Fresh air intake register with airtight damper (5" diameter)	Optional
Heat shield for surround/shelf	Optional



* Recommended heating area and maximum burn time may vary subject to location in home, chimney draft, heat loss factors, climate, fuel type and other variables. The recommended heated area for a given appliance is defined by the manufacturer as its capacity to maintain a minimum acceptable temperature in the designated area in case of a power failure.

Note 1: Specific components may be required depending on the chimney manufacturer.

Technical data contained in this brochure are for reference only. Any installation must be done according to the data and drawings detailed in the owner's manual.



Listed chimneys, manufacturers, brands and types (see note 1): Solution 2.5 ZC II zero clearance wood fireplace

MANUFACTURERS	BRANDS	TYPES	INNER DIAMETER
Olympia Chimney / SBI Venting Division	Ventis	1" Solid Pack	6"
SBI Venting Division	Nexvent	1" Solid Pack	6"
Olympia Chimney	Champion Chimney System	1" Solid Pack	6"
Olympia Chimney	Rockford Chimney Systems	1" Solid Pack	6"
American Metal	HSS	AC Triple Wall	6"
American Metal	HS	AC Triple Wall	6"
DuraVent	Dura Tech	1" Solid Pack	6"
DuraVent	Dura Tech Canada DTC	1" Solid Pack	6"
DuraVent	Dura Plus	AC Triple Wall	6"
DuraVent	Dura Tech Premium	2" Solid Pack	6"
Metal Fab	Temp Guard	1" Solid Pack	6"
Security Chimney	S-2100 +	2" Solid Pack	6"
Selkirk	Super Vent 2100 (JM)	2" Solid Pack	6"
Selkirk	CF Sentinel (CF)	2" Solid Pack	6"
Selkirk	Super Pro 2100 (ALT)	2" Solid Pack	6"