

2.3 Dimensions

ENGLISH

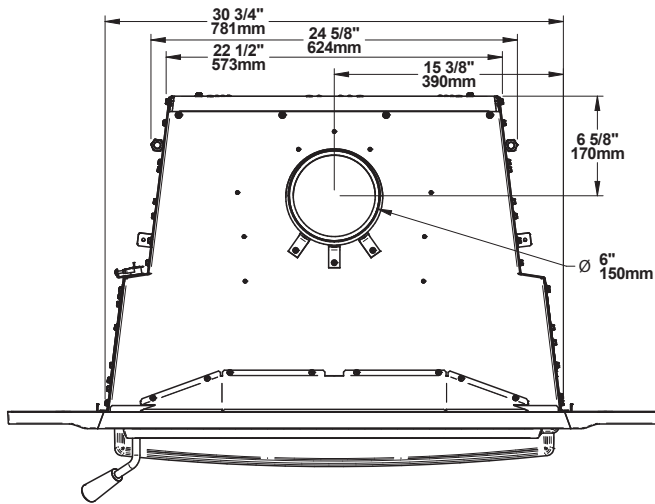


Figure 1: Top View

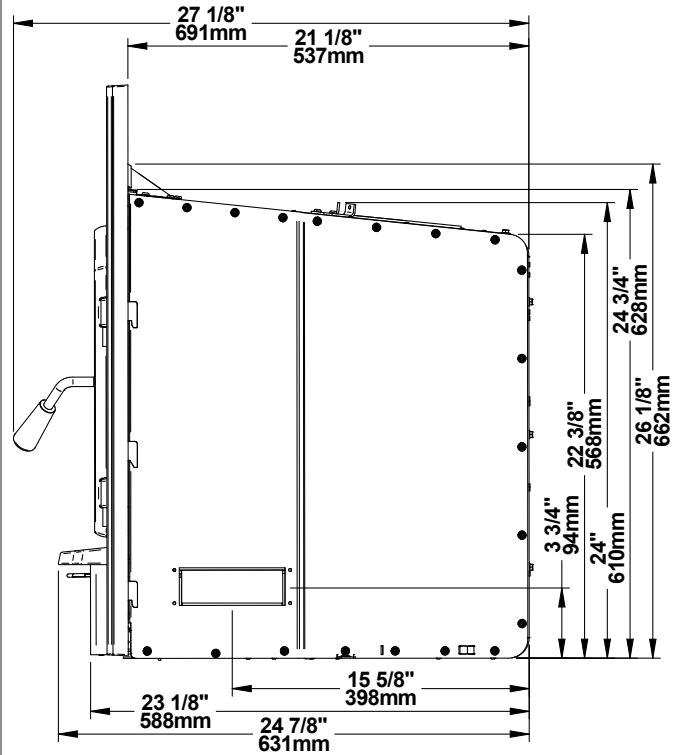


Figure 2: Side View - Minimum Insert Projection

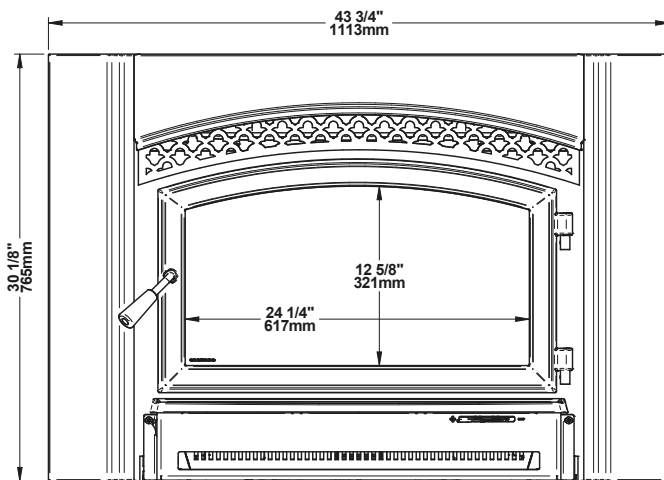


Figure 3: Front View

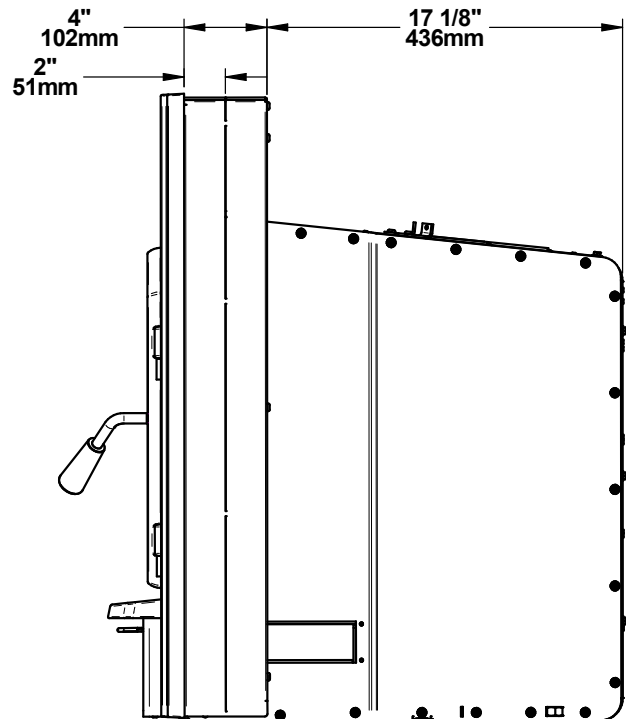


Figure 4: Side View - Maximum Insert Projection

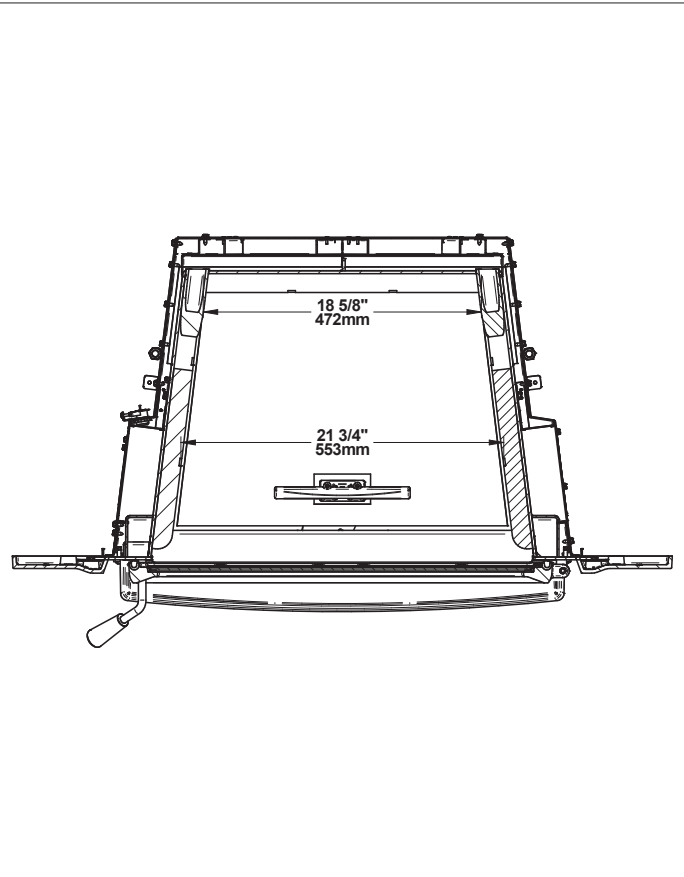


Figure 5: Top view - Combustion chamber

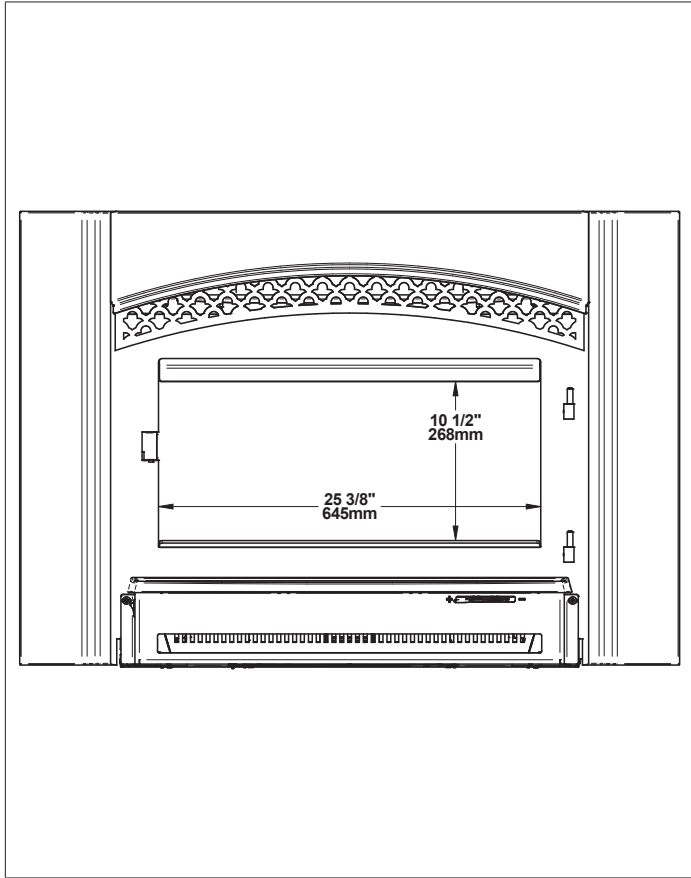


Figure 6: Door Opening

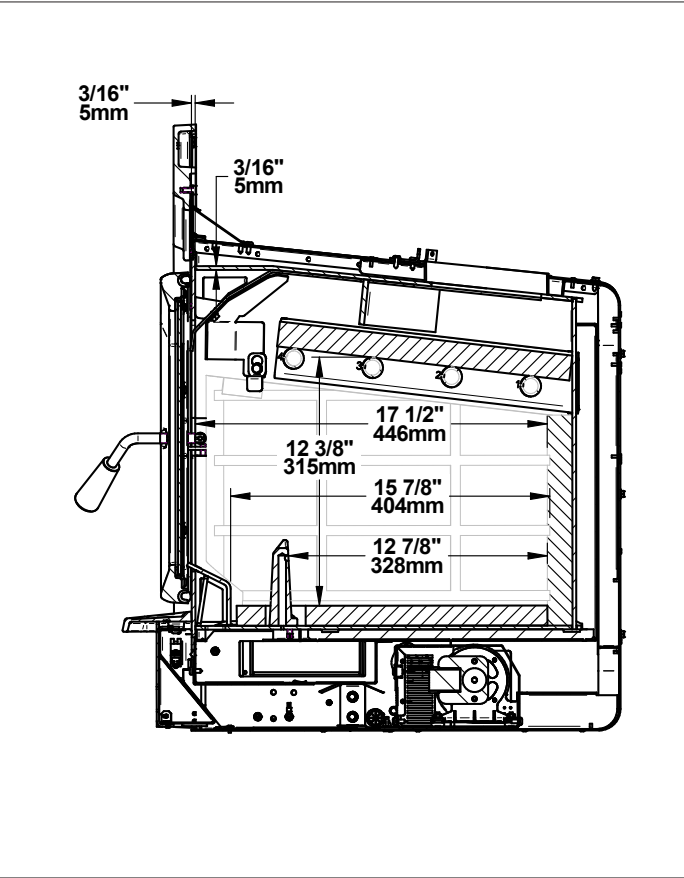


Figure 7: Side View - Combustion Chamber