

2.3 Dimensions

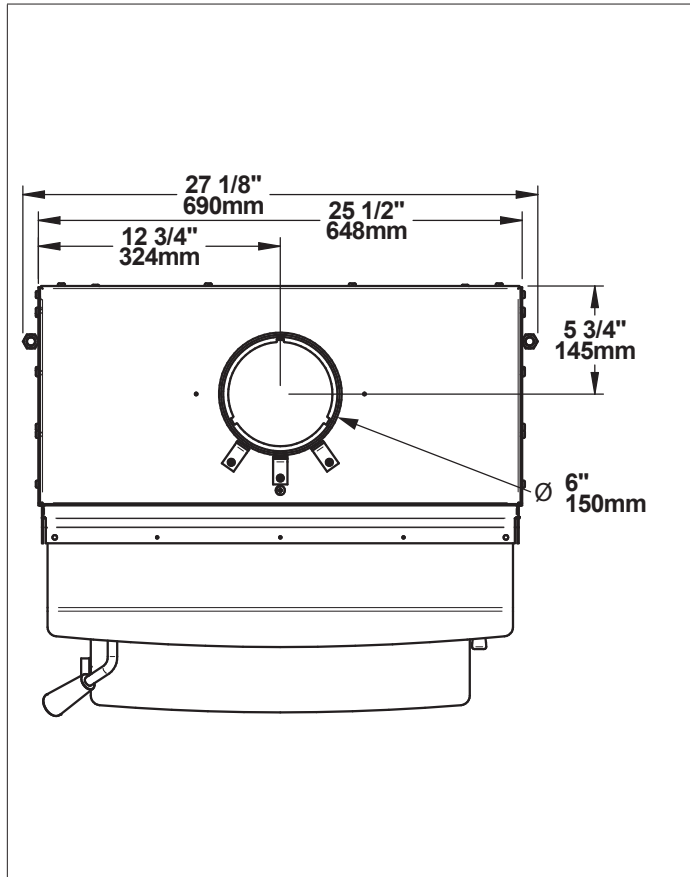


Figure 1 : Top View

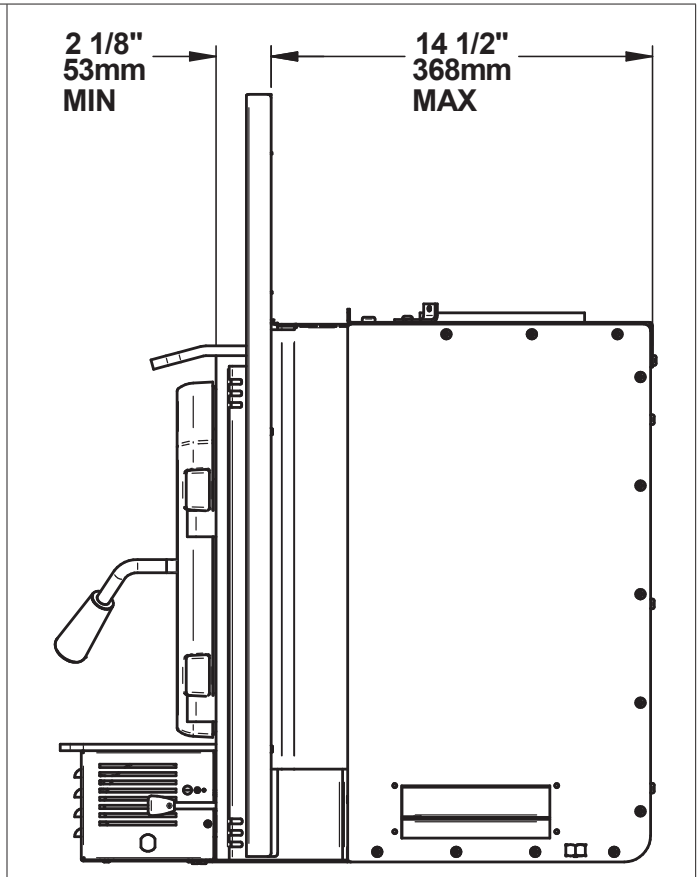


Figure 2 : Side View - Minimum Insert Projection

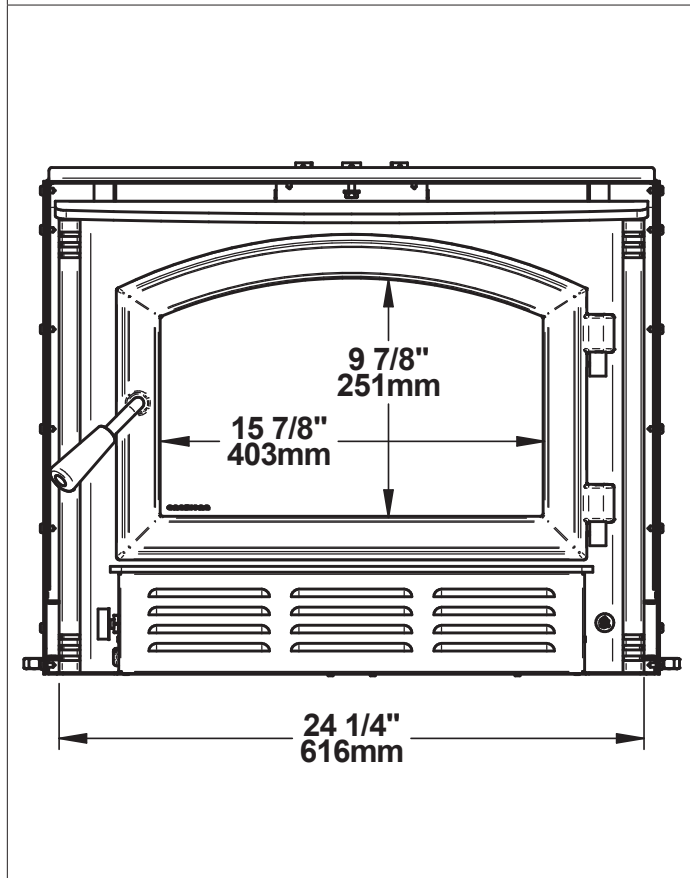


Figure 3 : Front View

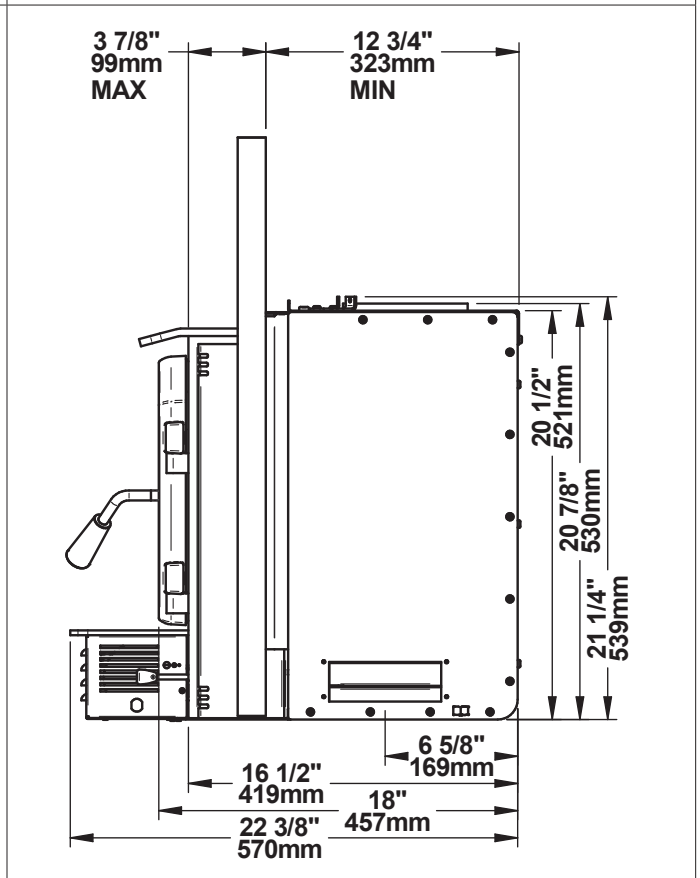


Figure 4 : Side View - Maximum Insert Projection

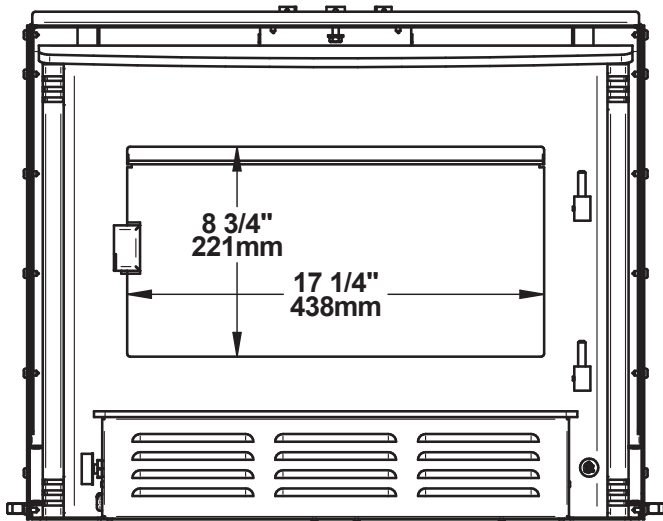


Figure 5 : Door Opening

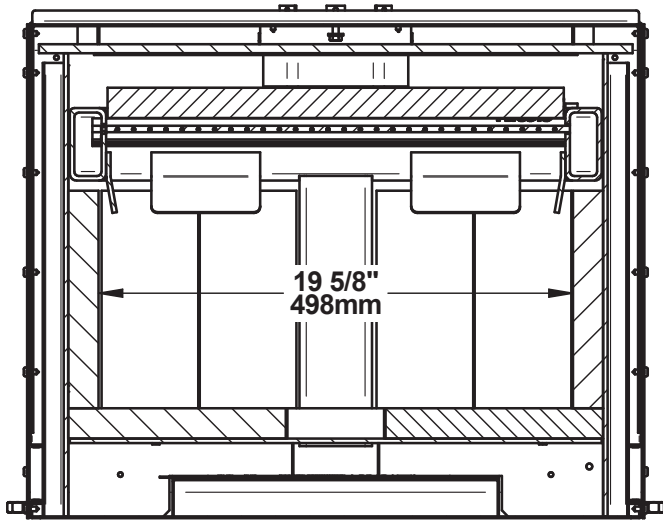


Figure 6 : Front View - Combustion Chamber

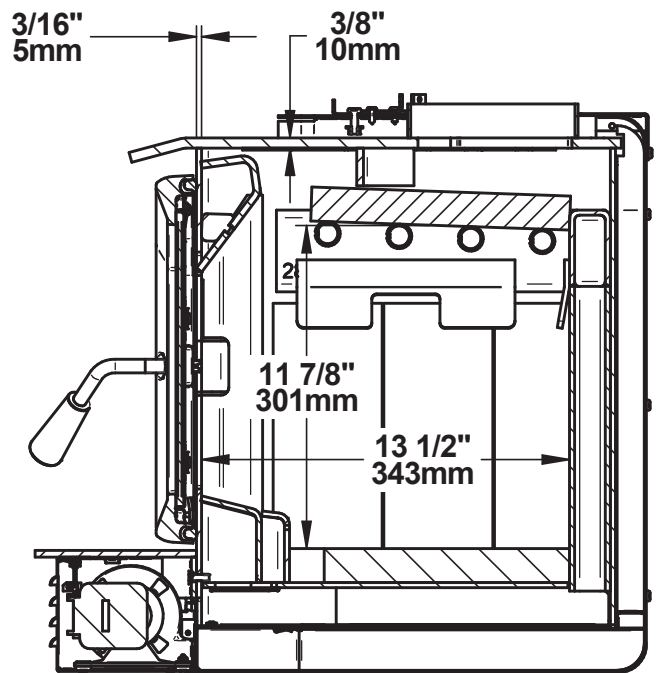


Figure 7 : Side View - Combustion Chamber