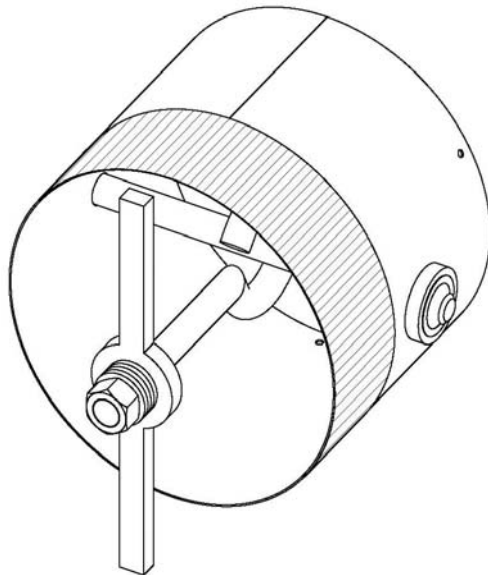




LINER FASTENING SYSTEM
AC02006

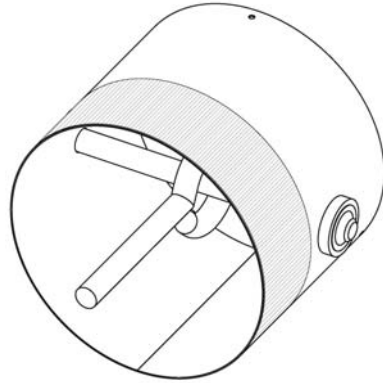
INSTALLATION
INSTRUCTIONS



Stove Builder International inc.
250, rue de Copenhague
Saint-Augustin-de-Desmaures Quebec, Canada G3A 2H3

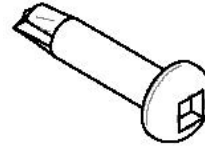
This liner fastening system contains the following parts:

Flue outlet adapter



1x

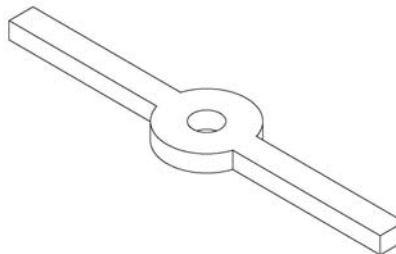
Self-drilling screws
#8 x 3/4" Quadrex
(30160)



3x

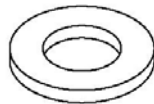
Removable components:

Tightening handle
(PL36151)



1x

Washer
ID = 13 mm x OD = 24 mm
(30200)




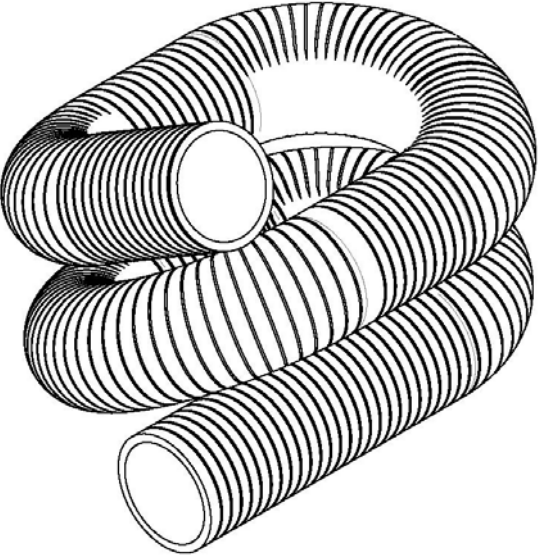
4x

Stainless steel nut
1/2-13 unc
(30713)

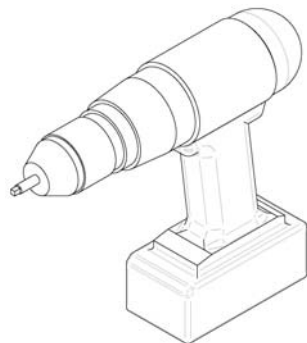


1x

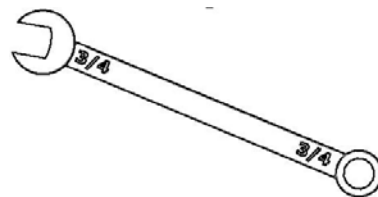
Other required parts (not included):

1x	Chimney flexible liner adapter (Provided by the flexible liner's manufacturer)	
1x	Stainless steel flexible liner (Variable length)	

Tools required for installation:

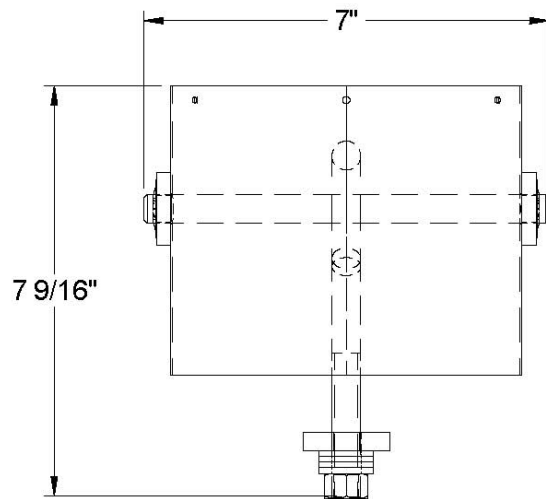
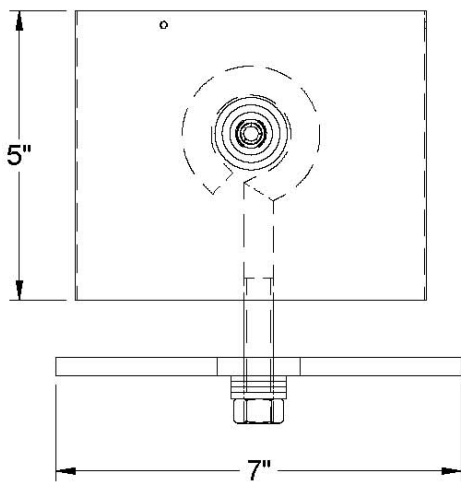
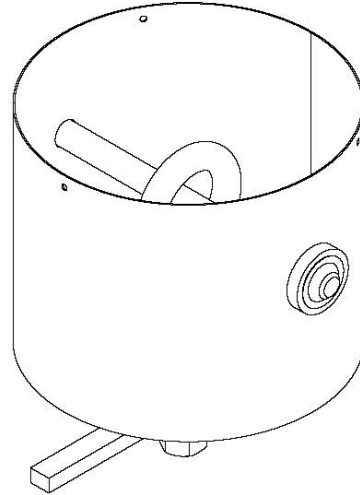
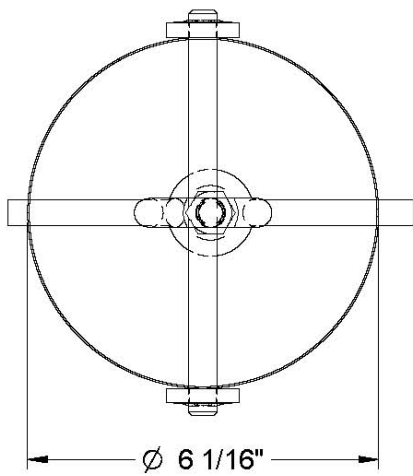


Powered driver
(with a Robertson bit)



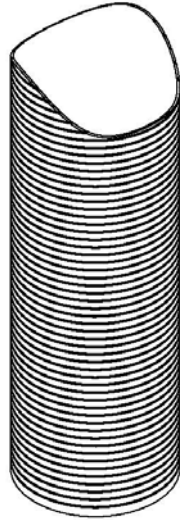
3/4" Wrench

Dimensions of the assembled liner fastening system



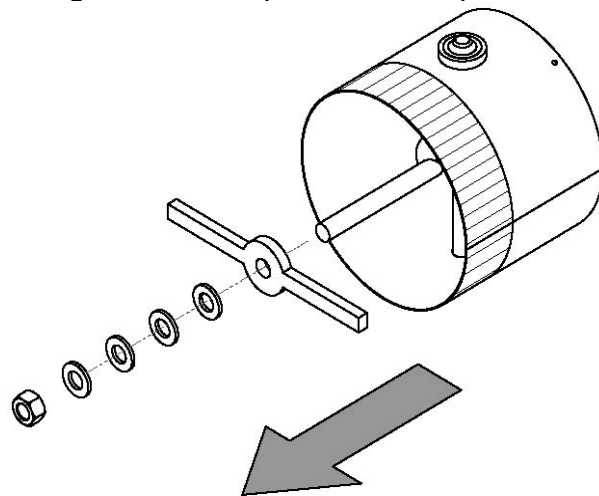
1

Install the liner adapter to the flexible liner



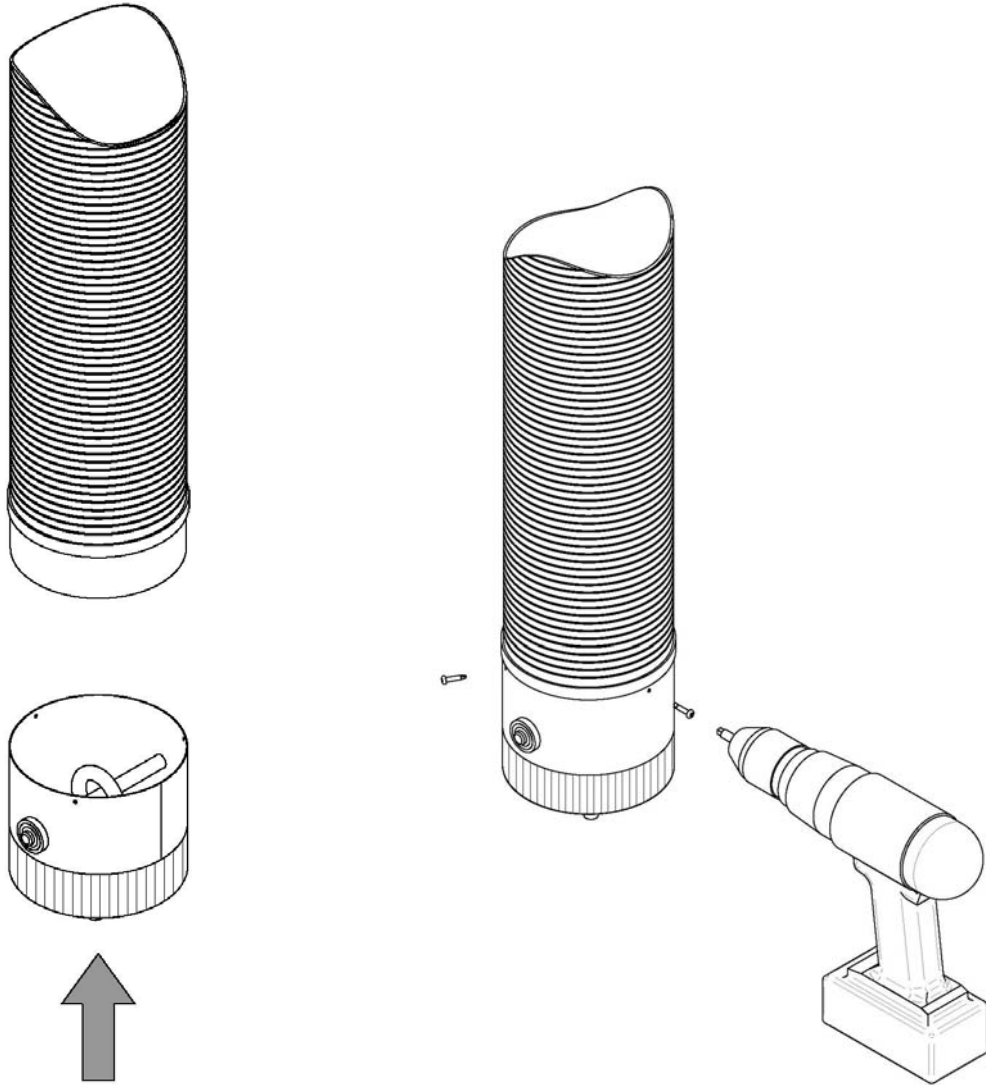
2

Remove the stainless steel nut, the four washers and the tightening handle mounted on the retaining rod and keep them for step 8.



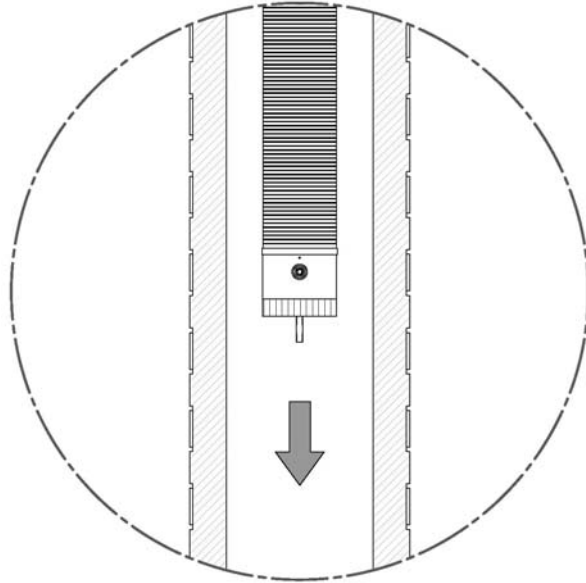
3

Use a powered driver to secure the flue outlet adapter to the flexible liner adapter with three self-drilling screws and use the holes in the flue collar adapter to align the screws.



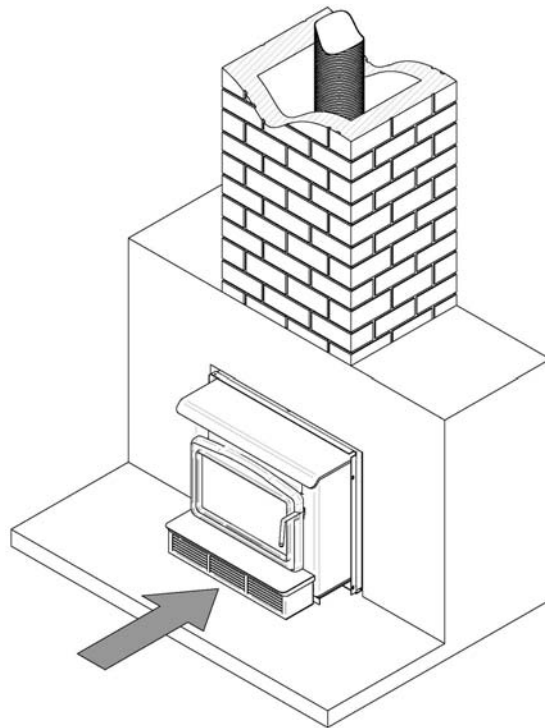
4

Drop the flexible liner in the chimney flue.



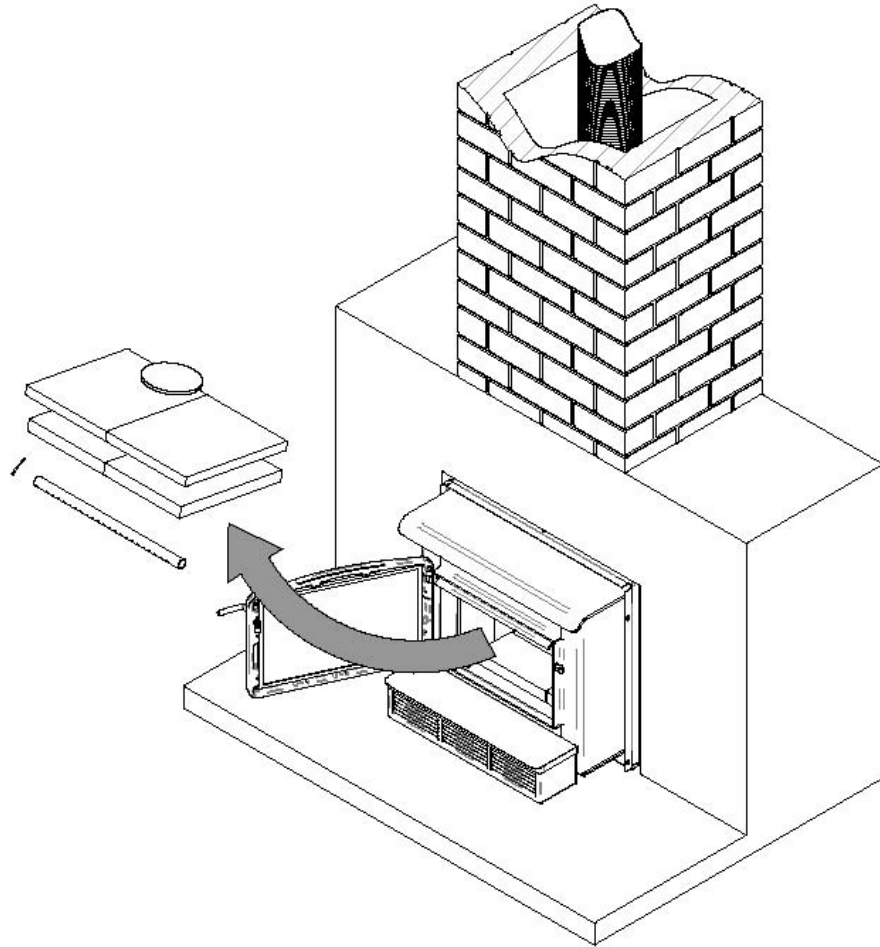
5

Install the insert into the masonry hearth.



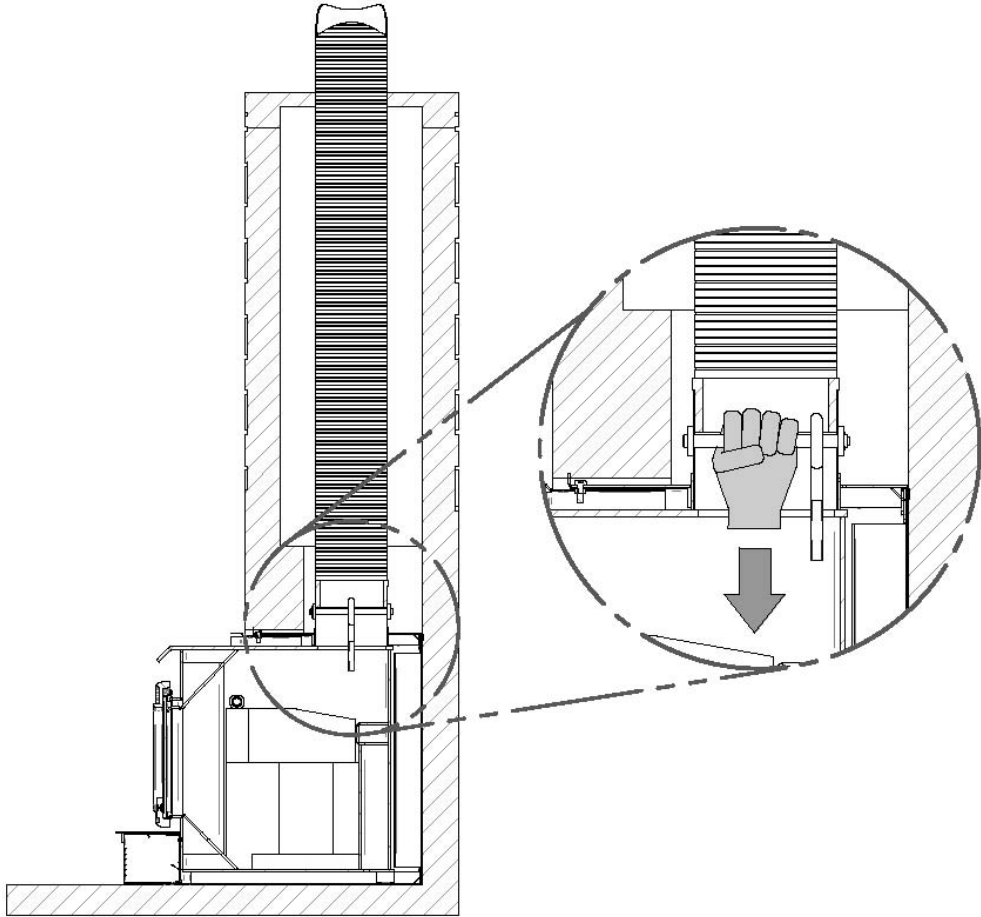
6

Remove the components located in the upper area of the firebox in order to access the chimney flue. Depending on the type of insert the following component can be removed: secondary air tubes and cutter-pins, supports and fire-bricks, insulation board or wool, insulation weight, etc. It is important to note the order in which the components were removed from the insert to use the reverse sequence in step 9.



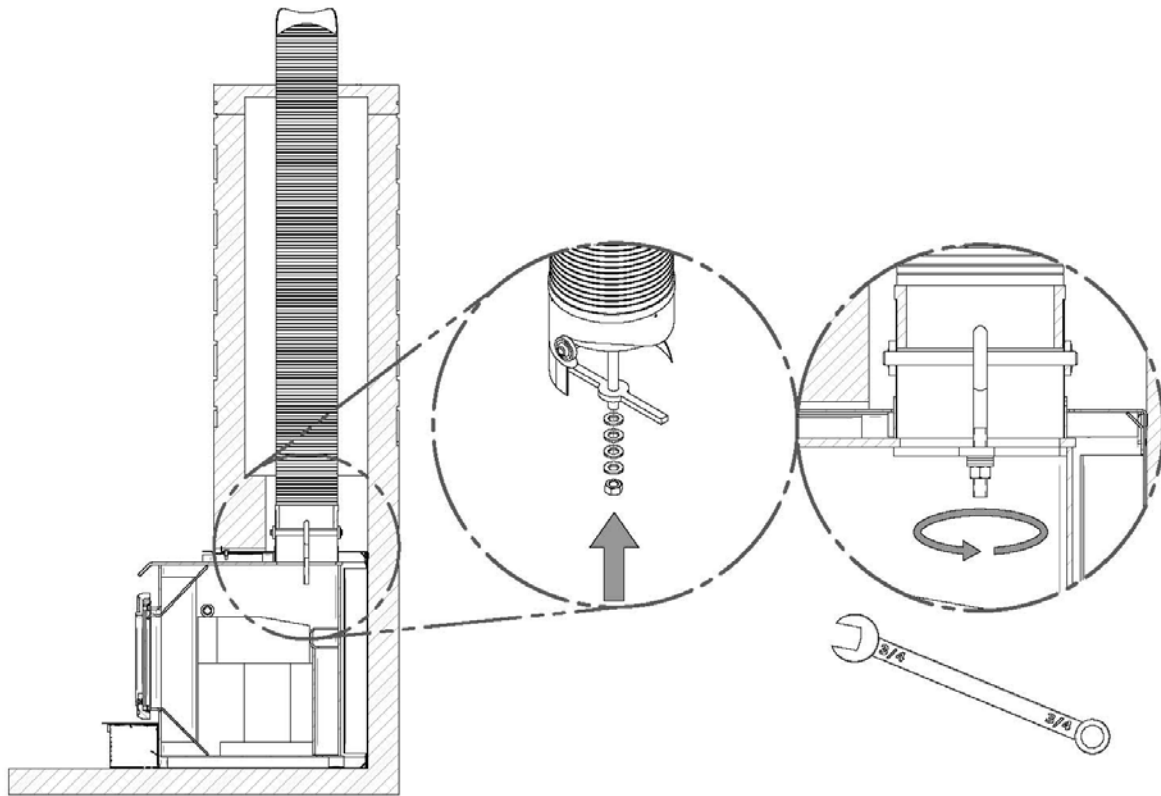
7

From inside the firebox, reach up for the flue outlet adapter's transverse rod and pull down in order to insert the adapter into the flue collar of the insert.



8

To secure the liner to the insert, install the adapter parts in the following order: the tightening handle, the washers (needed quantity varies depending on the type of insert) and the nut on the retaining rod. Tighten the nut using a 3/4" wrench until the tightening handle rests firmly on the underside of the insert top. **Caution over-tightening the nut would damage the adapter.**



9

Reinstall into the firebox the baffle components removed in step 6.

