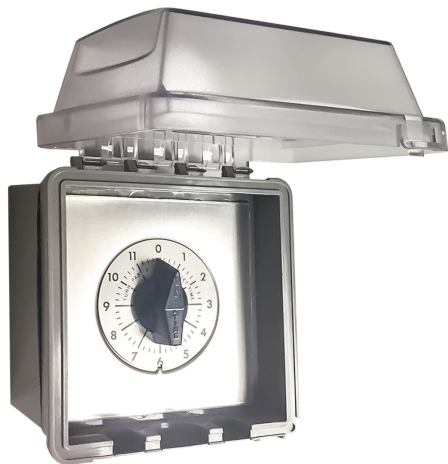


## Dial Timers



### OVERVIEW

Proudly manufactured in the USA, the Warming Trends™ Dial Timers are engineered for demanding electrical loads and are the most robust in-wall time switch in the industry offering a 28 Amp rating.

### APPLICATIONS

The Warming Trends™ Dial Timers can be used in a variety of residential and commercial applications providing convenient timed control for your fire feature. The brushed aluminum wall plate and black knob is perfect for commercial environments.

### FEATURES & BENEFITS

- Versatile time limits allow for quick, simple operation while providing the most effective energy management.
- Supplied with knob, brushed aluminum dial and wall plate.
- Optional NEMA Rated Enclosure available
- Fits double-gang wall box and replaces a single-pole or double-pole wall switch for fast easy installation.
- Proudly manufactured in the USA.
- Aluminum Wall Plate & Black Knob Included

### RATINGS

: 120-240 VAC, 60 Hz

### ORDERING INFORMATION

Part #	Description
DT2HR	2 Hour Dial Timer
DT2HRNB	2 Hour Dial Timer with NEMA Rated Enclosure
DT12HR	12 Hour Dial Timer
DT12HRNB	12 Hour Dial Timer with NEMA Rated Enclosure

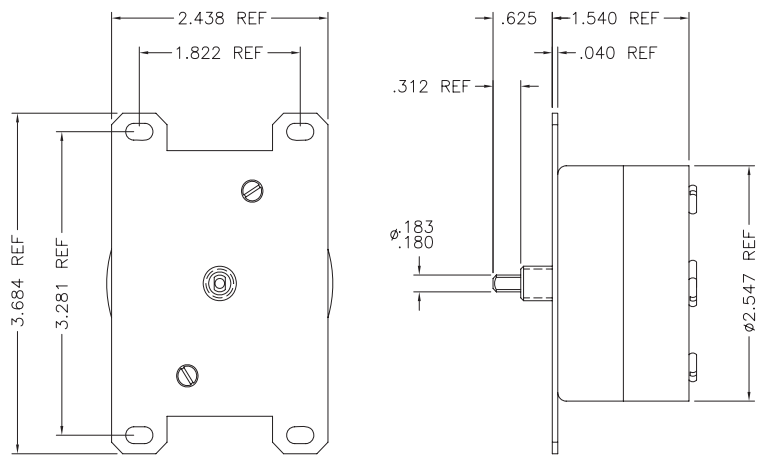
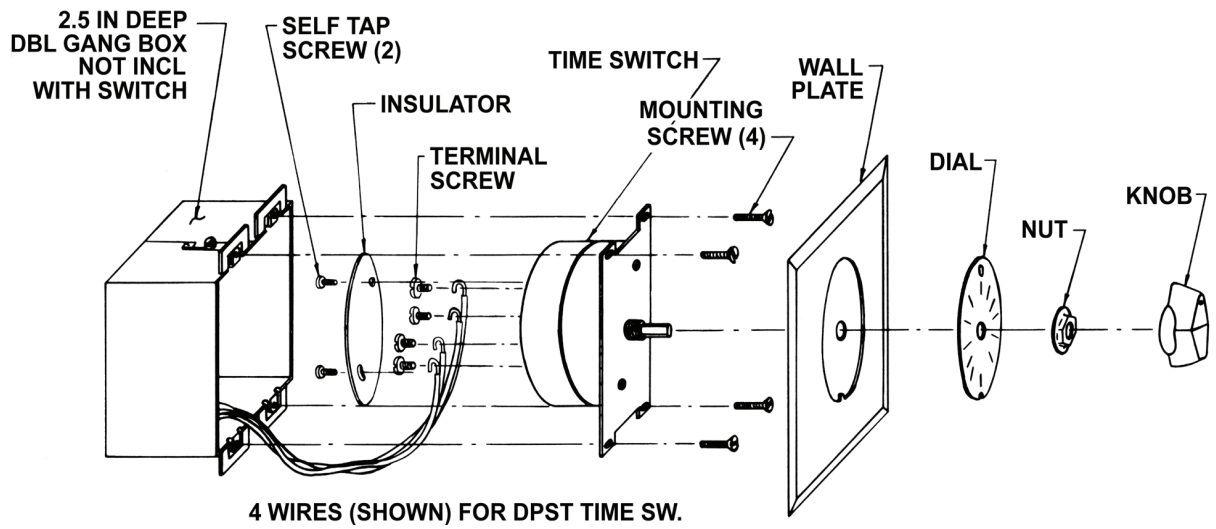
### WARRANTY

1 Year Limited Warranty



# Dial Timer

## INSTALLATION & WIRING



## SWITCHING CONFIGURATIONS

### DPST Switch Wiring

