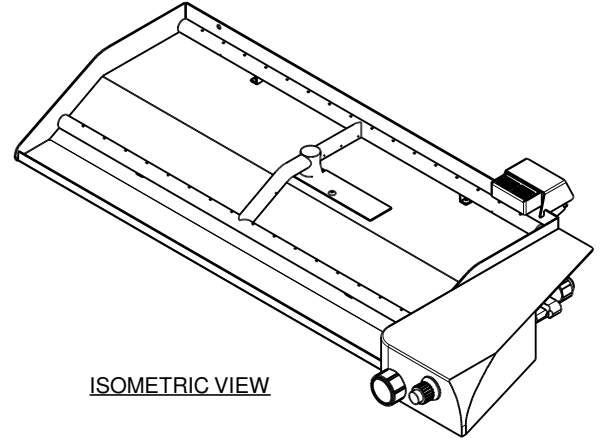
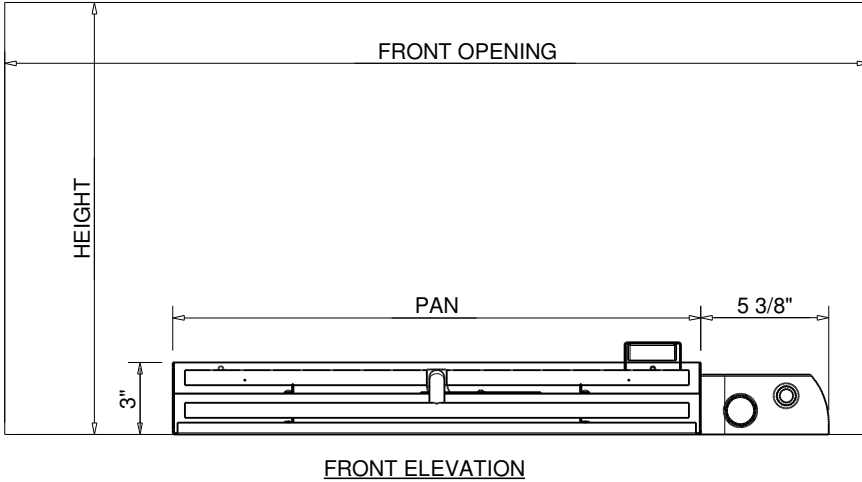




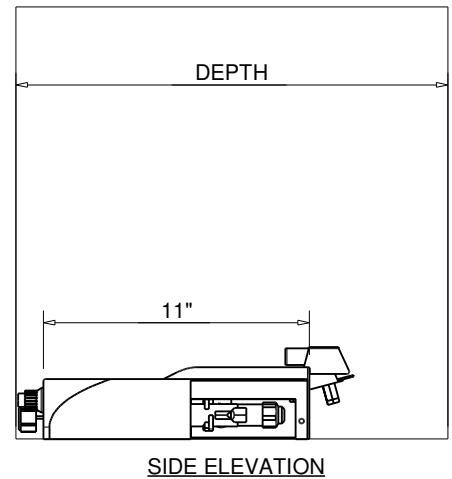
Hearth Products Controls Co
CSA CERTIFIED-OUTDOOR USE ONLY
FOR COMMERCIAL AND RESIDENTIAL USE

HEARTH PRODUCTS CONTROLS
 3050 PLAINFIELD RD.
 KETTERING, OH 45432
 TOLL FREE: 1-877-433-7001
 PHONE: (937) 433-7000
 FAX: (937) 433-0704
 www.hpcfire.com



SPARK IGNITION BY AAA BATTERY
 MATERIAL: 304 STAINLESS STEEL

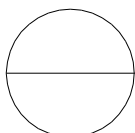
PART NUMBERS	STND BTU	DIMENSION CHART		MINIMUM FIREPLACE OPENING		
		PAN	BURNER	HEIGHT	FRONT OPENING	DEPTH
DBOF27PBFS	90K	22"	21"	18"	36"	18"
DBOF33PBFS	110K	28"	27"	18"	42"	18"



Notes:

1. FOR USE WITH FIXED PIPING SYSTEMS ONLY.
2. NOT FOR USE WITH SMALL TANKS.
3. MODIFICATION OF PRODUCT WILL VOID ANY CERTIFICATION AND WARRANTY.
4. FOLLOW ALL MANUFACTURER INSTALLATION INSTRUCTIONS AND LOCAL CODES.
5. ALL DIMENSIONS ARE CONSIDERED TRUE AND REFLECT MANUFACTURER'S SPECIFICATIONS AS OF THE REVISION DATE.
6. DO NOT SCALE DRAWING.
7. THESE DRAWINGS ARE FOR SIZING AND PLANNING PURPOSES. ALL INFORMATION CONTAINED HEREIN WAS CURRENT AT THE TIME OF DEVELOPMENT. THE MANUFACTURER'S RESPONSIBLE FOR THE ACCURACY OF THE DRAWING.
8. CONTRACTOR'S NOTE: FOR PRODUCT AND COMPANY INFORMATION VISIT www.CADdetails.com/info REFERENCE NUMBER 771-070.

⚠ WARNING		
	NG	LP
ALTITUDE (FT)	0-4,500	0-4,500
MINIMUM INLET GAS SUPPLY PRESSURE	4.5" InWc (11.2mb)	11" InWc (27.4mb)
MAXIMUM INLET GAS SUPPLY PRESSURE	7" InWc (17.4mb)	13" InWc (32.4mb)
MANIFOLD PRESSURE (UNDER FLOW CONDITIONS)	3.5" InWc (8.4mb)	10" InWc (25mb)



PUSH BUTTON IGNITION OUTDOOR FIREPLACE INSERT - 2/11/2019
PBFS DUAL BURNER - FLAME SENSE