


**AMBIENT LIGHT KIT**  
**ALK-36-C, ALK-48-C, ALK-60-C, ALK-72-C**  
**Models: CRAVE-C Series**  
**Installation Instructions**



Leave this instruction with party responsible for use and operation.

**DANGER**

**HOT GLASS WILL CAUSE BURNS.**



**DO NOT TOUCH GLASS UNTIL COOLED.**

**NEVER ALLOW CHILDREN TO TOUCH GLASS.**

A barrier designed to reduce the risk of burns from the hot viewing glass is provided with this appliance and shall be installed for the protection of children and other at-risk individuals.

**CAUTION! Risk of Burns!** The fireplace should be turned off and cooled before servicing.

**CAUTION! Risk of Cuts or Abrasions.** Wear protective gloves and safety glasses during installation. Sheet metal edges are sharp.

**CAUTION! Do not install damaged components.** If you received components that are damaged, contact your dealer for assistance.

**KIT CONTENTS:**

- (1) LED 12 Volt Power Supply
- (1) LED Light Tray Assembly
- (4) #8 x 1/2 Inch Hex Head Screws
- (1) LED Dimmer
- (1) IntelliFire™ Touch auxiliary control module (IFT-ACM)
- (1) Jumper Wire

**Preparation**

1. Remove the decorative front.
2. Remove the vanity panel from bottom of glass frame.
3. Remove the insulation located above the control cavity.  
**WARNING! Risk of Injury!** Turn off gas supply and disconnect electrical power before accessing electrical components inside appliance.
4. Remove screws on left and right sides of component heat shield and lift it out of the control cavity.
5. Unplug the 6V transformer from the junction box. This will turn the power off to the appliance.

**Note:** This appliance does include a manual gas shutoff valve that is located in the valve compartment. This manual gas shutoff valve is accessible for service by removing the decorative front and the vanity panel. Depending upon local code, an additional manual gas shutoff, in a readily accessible area may be required and located upstream from the appliance.

6. Turn the gas shutoff handle to the "OFF" position to shut off the gas supply.
7. Remove lower access cover panel if finishing is not completed.
8. To remove the glass assembly:  
Locate the spring latches that are on the upper edge of the glass frame of the appliance.  
Use both index fingers to release spring latches.  
Allow glass to tilt forward. Grasp glass on the upper return lip of glass frame and lift up and out. The glass should lift easily out of the bottom retaining lip.
9. Remove interior media and refractory from the unit if already installed.
10. Remove the media tray. It is attached to the interior firebox bottom with screws. See Figure 1.
11. Remove the two screws that attach the pilot to the burner.
12. Remove the four screws securing the burner to the firebox sides and disengage burner from orifice. Remove burner.
13. Remove the eight screws that secure the bottom glass assembly. Remove the bottom glass. See Figure 2. Handle with care.
14. Remove the two screws that fasten the flex and pilot plate. The plate can remain in the appliance.
15. Remove existing light tray that was factory-installed from appliance and discard.

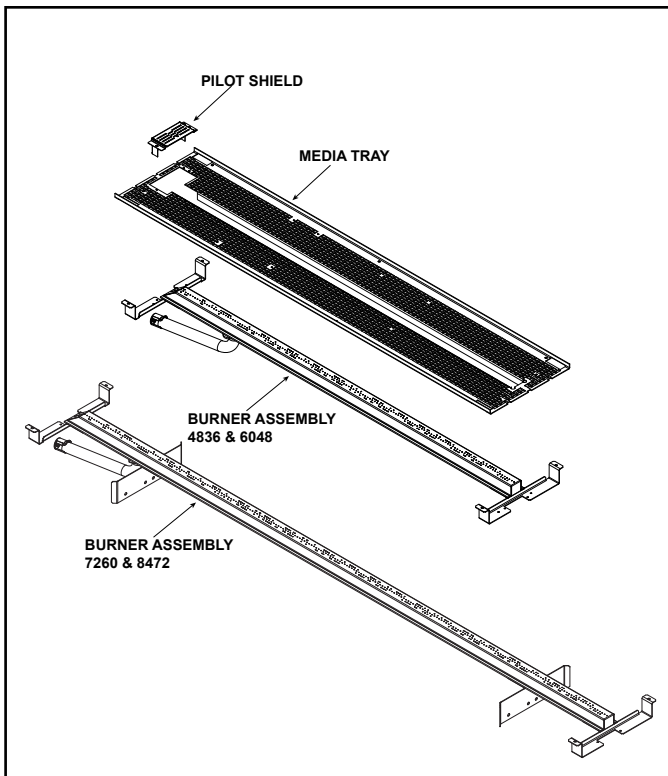


Figure 1 Base Pan with Burner and Pilot Cover

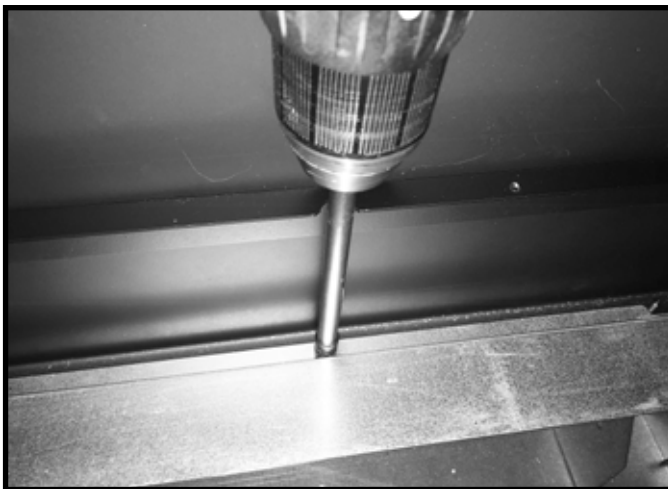


Figure 2 Remove Screws on Bottom Glass

## INSTALLATION

1. Place LED light tray assembly into appliance through the bottom glass opening.
2. Secure the LED power supply with two screws.
3. Secure the LED dimmer with two screws.
4. Engage IFT-ACM with IntelliFire™ Touch control module (IFT-ECM).

Refer to Figure 3- Figure 6 for the following steps:

5. Plug the light wire harness into the LED dimmer.
  6. Plug the LED dimmer into the lights on the IFT-ACM.
  7. Using a self-tapping screw, secure green ground wire of cord assembly to component tray.
  8. Plug the IFT-ACM module into the junction box with the IFT-ACM cord in the fan port. Using the supplied jumper wire, connect the two ports on the FAN area of the junction box. See Figure 6.
  9. Plug 12 volt power supply into the dimmer and REM/AUX on the junction box.
  10. Place wires in wire management clips to prevent touching the firebox.
  11. Plug the 6V transformer into the junction box.
  12. The RC400 remote control is used to operate the LED's. The remote must be re-paired to the module at this time.
  13. Turn the LED's on to verify installation and operation.
  14. Reinstall the two screws that secure the flex and pilot plate.
  15. Reinstall the bottom glass, burner, pilot and media tray.
  16. Place media according to instructions included with media kit.
  17. Reinstall glass assembly.
  18. Reinstall component heat shield.
- CAUTION! Risk of Overheating!** Component heat shield *MUST* be installed before operating appliance. Electrical components will be damaged.
19. Turn on gas and electric power to appliance.



Figure 4 LED Tray Assembly in Position

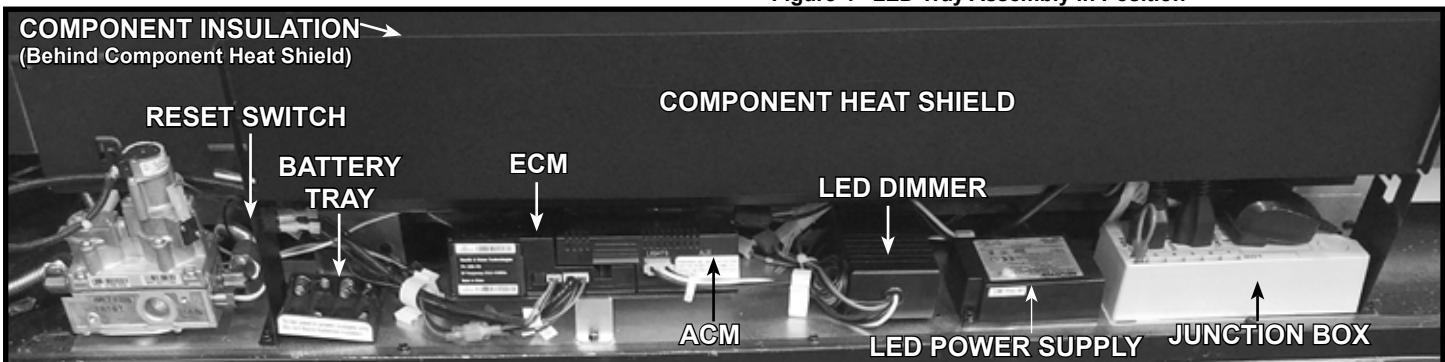


Figure 3 Valve Cavity (Lower Access Panel Removed)

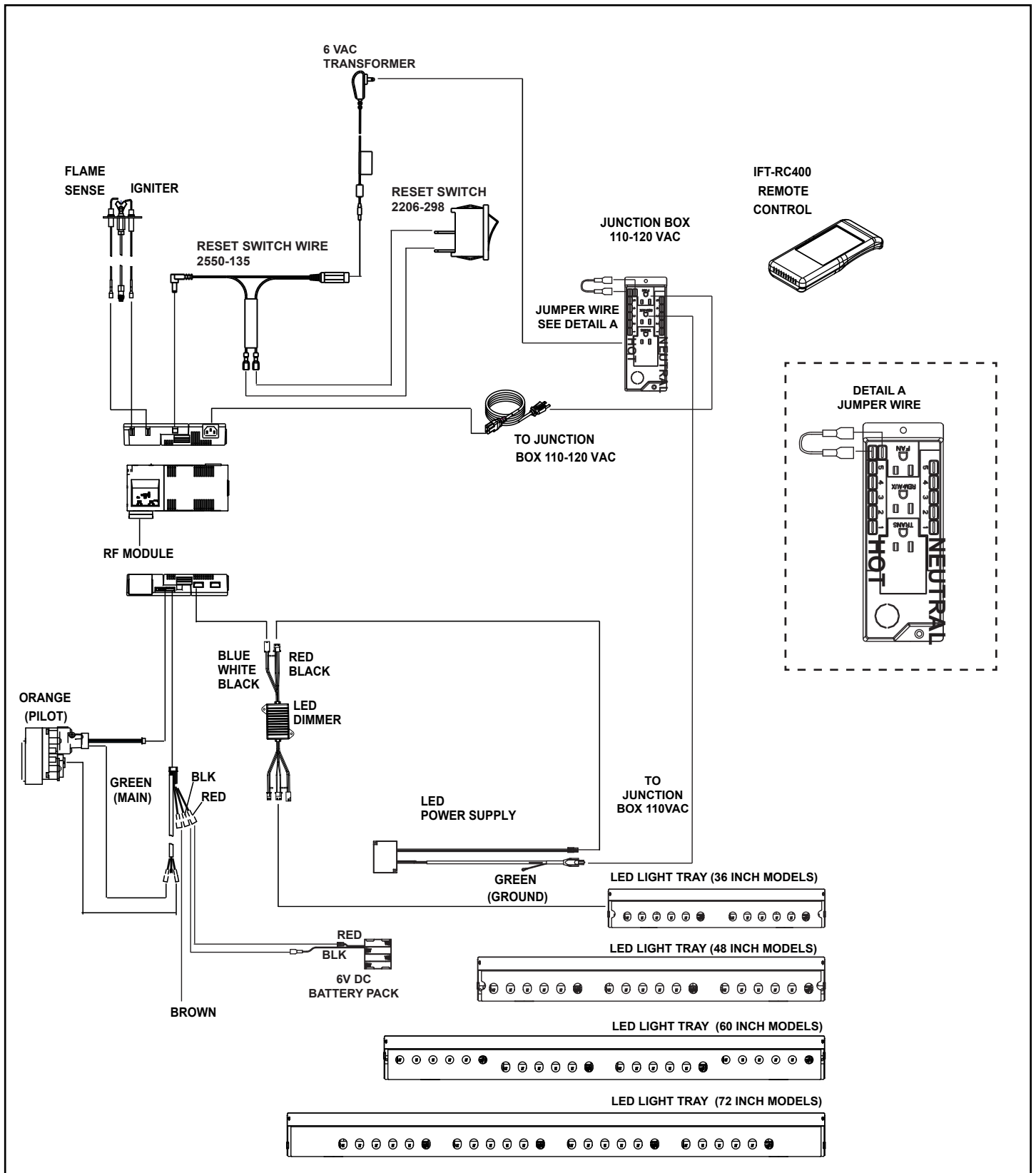


Figure 5 LED Wiring Diagram

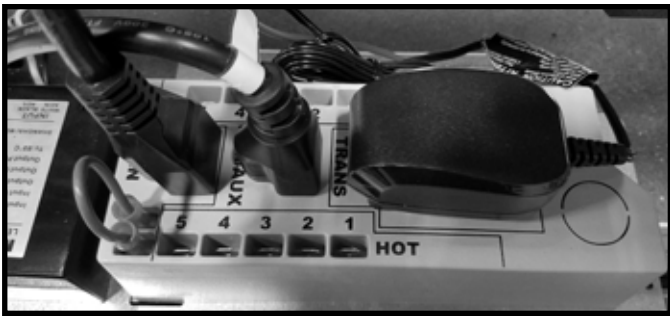


Figure 6

## Service Parts

PART NUMBER	DESCRIPTION
2326-113	LED 40W Power Supply
2326-112	LED Dimmer
2326-150	B-Type Aux Module
SRV2326-152	B-Type AC Module Cable
2300-014	White LED Light Tray Assembly

## LED Operation

The LED lights are operated using the LIGHTS function on the remote control. See IFT-RC400 User Guide for more information.

Heatilator, a brand of Hearth & Home Technologies  
 7571 215th Street West, Lakeville, MN 55044  
[www.heatilator.com](http://www.heatilator.com)

Please contact your Heatilator  
 dealer with any questions or concerns.  
 For the location of your nearest Heatilator dealer,  
 please visit [www.heatilator.com](http://www.heatilator.com).