

Models:
Contour36
Contour42
Mesh Door Kits




These meshdoor kits have been tested for use with specific Hearth & Home Technologies products. Check with your local building code agency before you begin installation to ensure compliance with local codes, including the need for permits and follow-up inspections. If you encounter any problems regarding code approvals, or if you need clarification of any of the instructions contained here, contact your Hearth & Home Technologies Inc. dealer. For the dealer nearest you, please visit www.hearthnhome.com.


Note: An arrow (➡) found in the text signifies change in content.

NOTICE: Frame assembly must be installed prior to finishing front of fireplace.

NOTICE: All fingerprints and smudges must be wiped clean from the viewable surfaces of the door kit prior to the initial burning of the fireplace. If this is not done, these prints and smudges will be cured into the finish and set for the life of the fireplace. To keep the finish looking its best, gently wipe with a soft cloth and if desired, soap and water. Never use thinner or abrasive cleaners since these products will damage the finish.

CAUTION! Risk of Cuts/Abrasions. Wear protective gloves and safety glasses during installation. Sheet metal edges are sharp.


WARNING



HOT SURFACES!

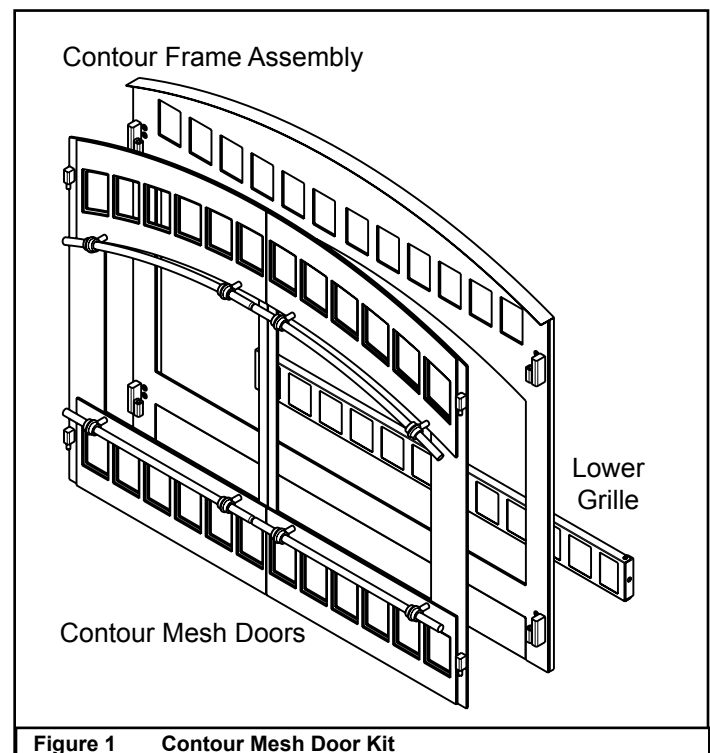
Screen/mesh, glass doors and other surfaces are hot during operation AND cool down.

Hot screen/mesh and glass doors will cause burns.

- Do not touch screen/mesh or glass doors until cooled
- NEVER allow children to touch screen/mesh or glass doors
- Keep children away
- CAREFULLY SUPERVISE children in same room as fireplace.
- Alert children and adults to hazards of high temperatures.

High temperatures may ignite clothing or other flammable materials.

- Keep clothing, furniture, draperies and other flammable materials away.



CAUTION! The mesh door kit is heavy. We recommend two installers to put the frame assembly in place.

WARNING! Risk of Fire! Do not place combustible materials on the metal fireplace face or columns.

Radiant Fireplace

- A. Remove the existing screens (refer to Figure 2):
 - Remove one screw in each of the screen rods behind the door track.
 - Slide screen rods out of support holes.
 - Rods and screen will come out as an assembly.
- B. Remove six screws securing door track.
 - Remove track.
 - Save screws for step E.
 - Discard door track.
- C. Pick up the frame assembly and hook the bottom flange (refer to Figure 3) over the bottom face of the fireplace. The flange should fit over the face.
- D. Push the top of the frame assembly flush with the fireplace. The holes in the mounting flange will align with the holes in the top of the fireplace opening. Lift the frame assembly and fasten in place with the screws removed in step B.
- E. Install the noncombustible finishing material. Butt to the sides and top arched hood of the frame assembly. Refer to Figure 4.
- F. Hang the doors on the frame assembly by positioning the hinge pins of the door in the mating hinge receivers (refer to Figure 3).

Circulating Fireplace

- A. Remove the existing screens from the fireplace:
 - Remove one screw in each of the screen rods behind the door track.
 - Slide screen rods out of support holes.
 - Rods and screen will come out as an assembly.
- B. Remove six screws securing door track.
 - Remove track.
 - Save screws for step E.
 - Discard door track.
- C. Pull out and discard top and bottom grilles from fireplace before installing new front.
- D. Remove solid bottom panel (of frame assembly) held in place by two screws on each end. Install lower grille (included) into clips vacated by the bottom grill of the fireplace.
- E. Pick up the frame assembly and hook the bottom flange (refer to Figure 3) over the bottom face of the fireplace. The flange should fit over the face.
- F. Push the top of the frame assembly flush with the fireplace. The holes in the mounting flange will align with the holes in the top of the fireplace opening. Lift the frame assembly and fasten in place with four screws removed in step B through the mounting flange.
- G. Install the noncombustible finishing material. Butt to the sides and top arched hood of the frame assembly. Refer to Figure 4.
- H. Hang the doors on the frame assembly by positioning the hinge pins of the doors in the mating hinge receivers (refer to Figure 3).

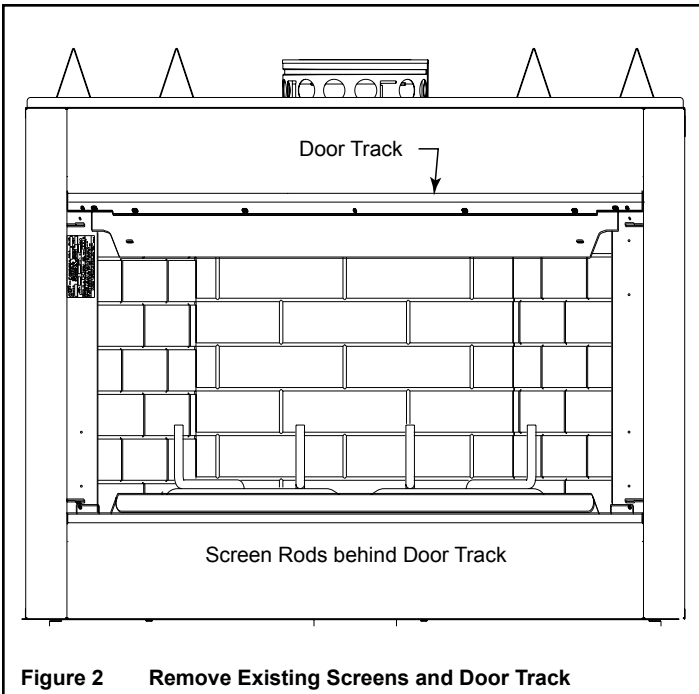


Figure 2 Remove Existing Screens and Door Track

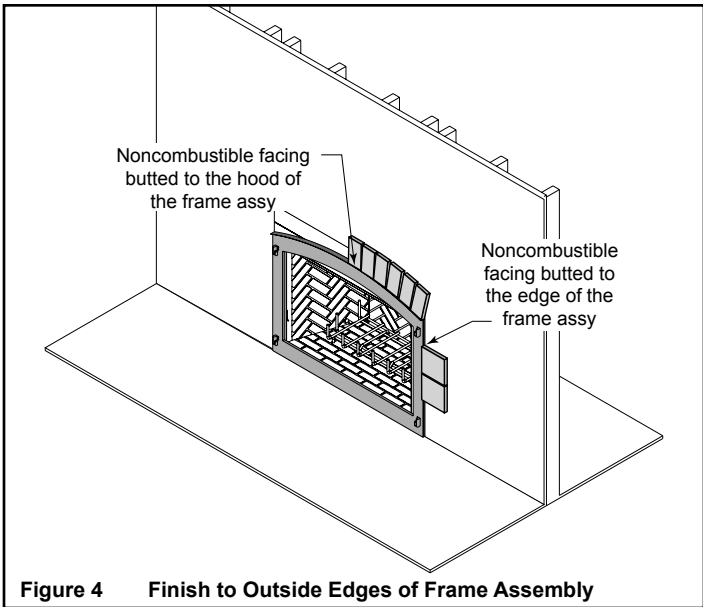


Figure 4 Finish to Outside Edges of Frame Assembly

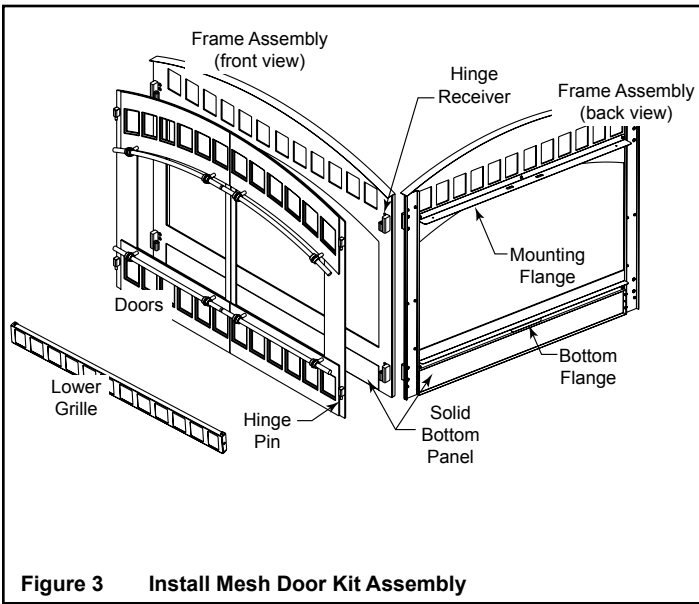


Figure 3 Install Mesh Door Kit Assembly

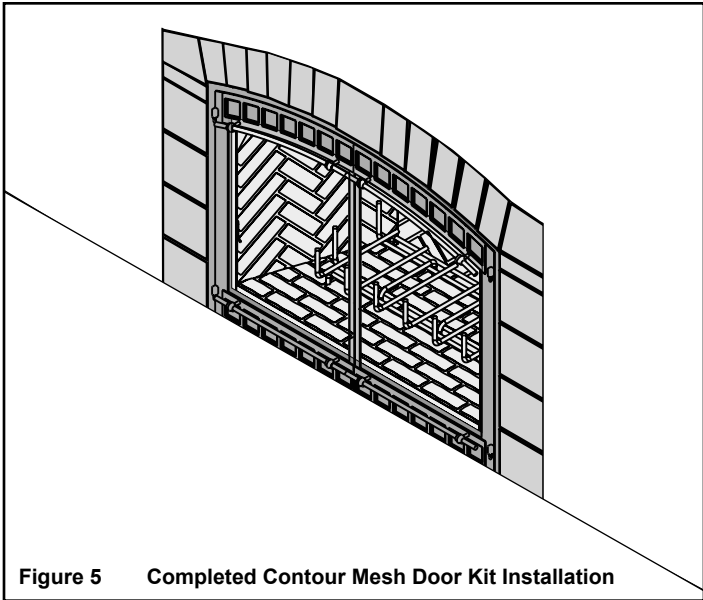


Figure 5 Completed Contour Mesh Door Kit Installation

➔ Handle Alignment

The bars (straight and arched) of the doors may need to be loosened and adjusted to align door handles when final fit up is done.

- Open doors. Loosen (but do not remove) the two phillips head screws securing each bar.
- Adjust bars so that handles are in line with each other.
- Tighten screws when alignment is complete. Ensure door clips do not twist.

