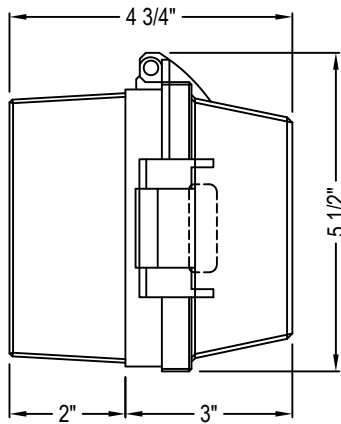




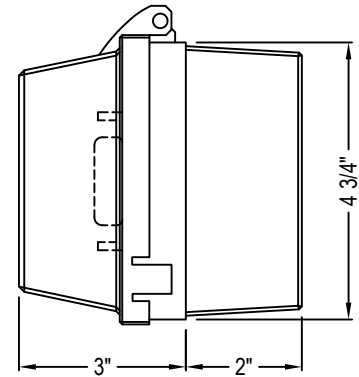
THE OUTDOOR PLUS

USA MANUFACTURER OF FIRE & WATER FEATURES

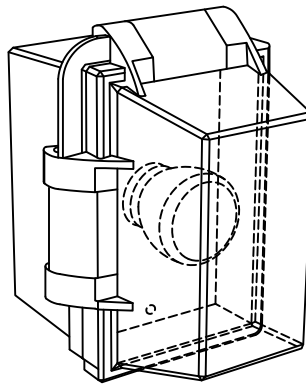
THE OUTDOOR PLUS
235 E. MAIN ST.
ONTARIO, CA 91761
PHONE: (909) 460-5579
FAX: (909) 460-5530
www.theoutdoorplus.com



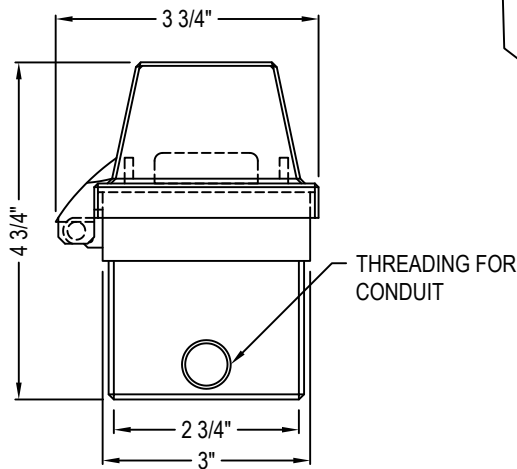
LEFT SIDE VIEW



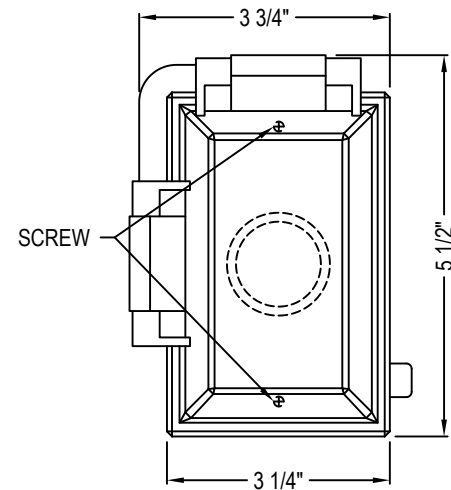
RIGHT SIDE VIEW



PERSPECTIVE



BOTTOM VIEW



FRONT VIEW

SPECIFICATIONS

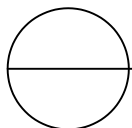
PART NUMBER: OPT-ESTOP

VOLTAGE: 110V ONLY

2X OPENINGS FOR CONDUIT (1/2")

NOTES:

1. INSTALLATION TO BE COMPLETED IN ACCORDANCE WITH MANUFACTURER'S SPECIFICATIONS.
2. DO NOT SCALE DRAWING.
3. THIS DRAWING IS INTENDED FOR USE BY ARCHITECTS, ENGINEERS, CONTRACTORS, CONSULTANTS AND DESIGN PROFESSIONALS FOR PLANNING PURPOSES ONLY. THIS DRAWING MAY NOT BE USED FOR CONSTRUCTION.
4. ALL INFORMATION CONTAINED HEREIN WAS CURRENT AT THE TIME OF DEVELOPMENT BUT MUST BE REVIEWED AND APPROVED BY THE PRODUCT MANUFACTURER TO BE CONSIDERED ACCURATE.
5. CONTRACTOR'S NOTE: FOR PRODUCT AND COMPANY INFORMATION VISIT www.CADdetails.com/info AND ENTER REFERENCE NUMBER 5353-003.



ACCESSORIES & REPLACEMENTS

ELECTRICAL EMERGENCY SHUT-OFF BUTTON