

ARCH-KIT-36, ARCH-KIT-42, ARCH-KIT-50

Models: FS-36A, FS-36AIFT, FS-42A, FS-42AIFT, FS-50A, FS-50AIFT, FORGE-36A, FORGE-36AIFT, FORGE-42A, FORGE-42AIFT, FORGE-50A, FORGE-50AIFT

Installation Instructions



Leave this manual with party responsible for use and operation.

CAUTION! Risk of Cuts, Abrasions or Flying Debris. Wear protective gloves and safety glasses during installation. Sheet metal edges are sharp.

DANGER

HOT GLASS WILL CAUSE BURNS.

DO NOT TOUCH GLASS UNTIL COOLED.

NEVER ALLOW CHILDREN TO TOUCH GLASS.

A barrier designed to reduce the risk of burns from the hot viewing glass is provided with this appliance and shall be installed for the protection of children and other at-risk individuals.

WARNING! Risk of Fire! Combustible materials **MUST NOT** overlap or be placed behind a decorative front.

CAUTION! Do not install damaged components.

KIT CONTENTS:

- Left and Right Arch Fill Pieces
- Top Arch Template
- Arch Strip
- Left and Right Side Finishing Templates
- Top Finishing Trim
- Left and Right Finishing Trim
- Top Glass Vanity Panels (2)
- Bottom Glass Vanity Panel (Included on Forge Front only)
- (8) 1/2 Inch Self Tapping Screws
- (4) 10-24 x 3/4 Hex Screws

Introduction

This kit is for use with decorative fronts installed using the inside fit finishing method. Inside fit decorative fronts may be recessed into non-combustible finishing material up to 4 inches thick.

NOTICE: Proper clearances from the fireplace opening to any finishing material thicker than one inch **MUST** be maintained.

Top and side templates are included to ensure that finishing materials thicker than one inch do not interfere with the installation and operation of the door. Refer to the appliance installation manual for more information regarding the different finishing methods.

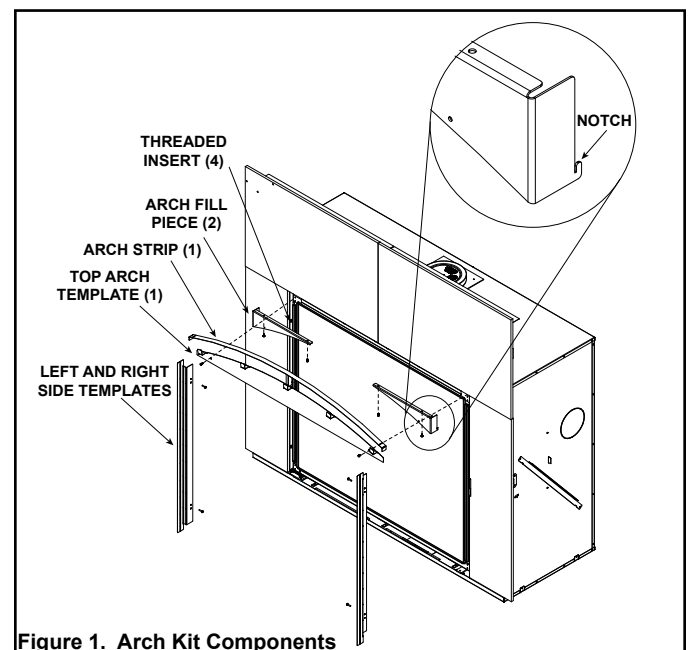


Figure 1. Arch Kit Components

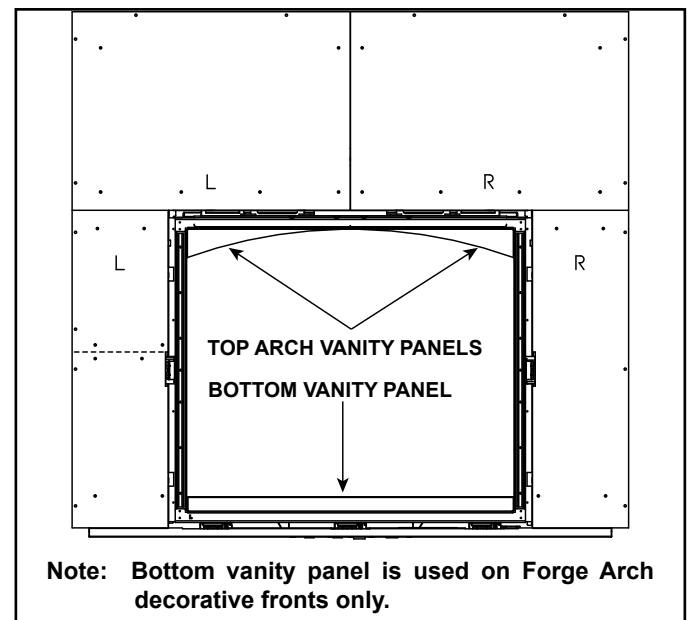


Figure 2. Vanity Panels

The factory-supplied non-combustible board should be installed to the face of the appliance before installing the finishing template.

Installation

For finishing material less than one inch, the templates are optional. Finishing material less than one inch may be installed up to the fireplace opening (Overlap Method).

Templates can be removed by removing the two 10-24 x 3/4 inch hex screws per side and the four 1/4 inch hex screws on top.

If finishing material to be installed is greater than one inch thick, proceed to step 1. (Inside Fit).

1. Bend end tab on upper glass vanity panel as shown in Figure 3. The vanity panel for the left side of the appliance is shown. Slide the top edge between the glass and glass frame and attach with one 1/2 inch self-tapping screw into the glass frame as shown in Figure 4. Bend the tab on the other glass vanity panel and install on opposite side of appliance.
2. For Forge decorative fronts, install the two bottom vanity panels, one on each side, using a process similar to that used for the upper glass vanity panels. The bottom glass vanity panels require two 1/2 inch self-tapping screws.
3. Remove fixed glass assembly from appliance according to instructions in installation manual. Set aside.
4. Remove the existing top template by removing the four 1/4 inch hex screws. Remove the existing side templates by removing the four Phillips screws on the inside edge of the appliance.
5. Install left and right arch fill pieces by securing each piece into the corresponding corner with two 1/2 inch self-tapping screws. See Figure 1.

Note: Notches on the fill pieces correspond to the slots on the appliance corners. When the fill pieces are fastened with the screws, the notches allow them to be secured into position.



Figure 3. Bend Upper Glass Vanity Panel Tabs

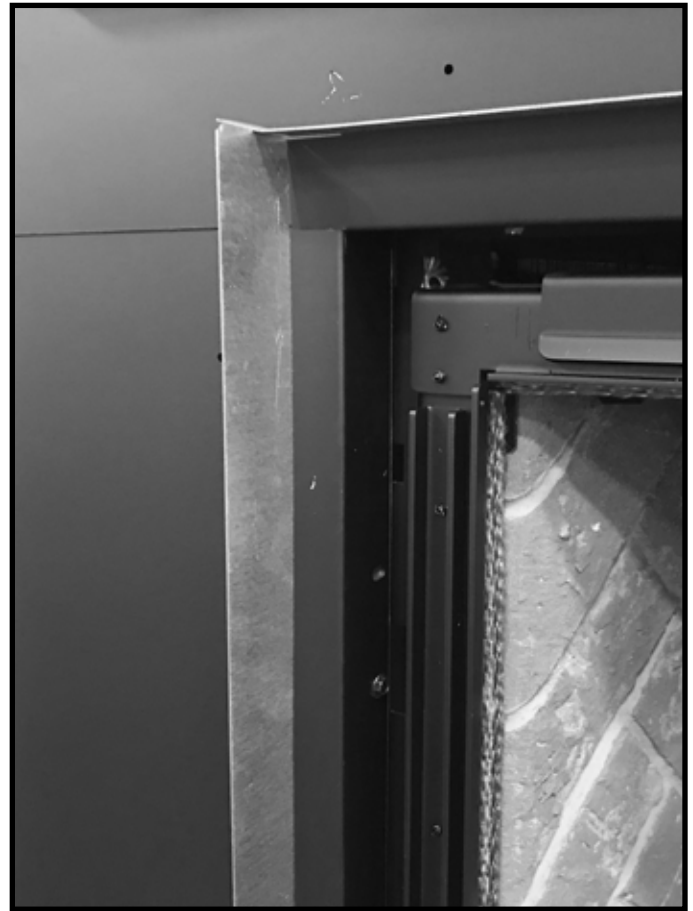


Figure 4. Attach Vanity Panel

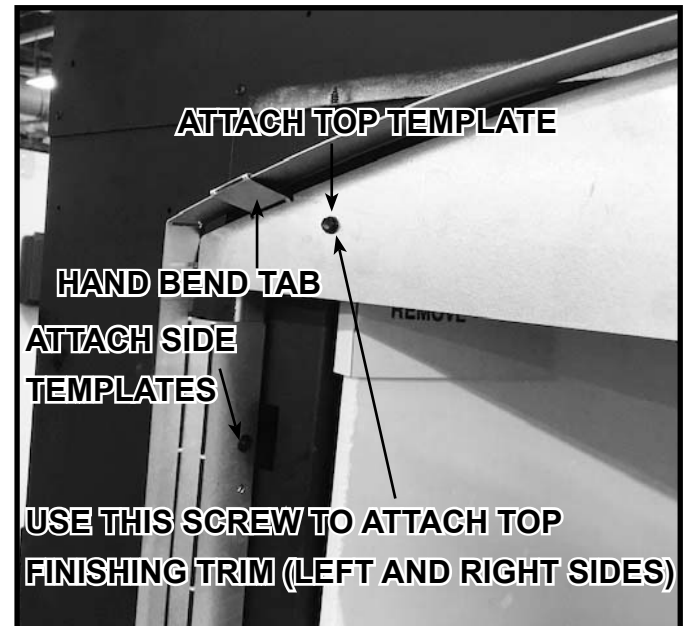


Figure 5.

6. Bend new side templates as shown in Figure 6. Attach side templates with two new 10-24 x 3/4 inch hex screws per side. See Figure 5.
7. Secure the top arch template to the arch fill pieces with two 1/2 inch self-tapping screws. See Figure 1.
8. Bend the five tabs out to 90 degrees and then form them around the arch strip. See Detail A in Figure 7. This will make a uniform arch. See Figure 5 for completed hand bend.
9. Install finishing materials in accordance with Finishing section of appliance Installation Manual.
10. Template components may be removed after finishing materials have fully cured. Retain screws for later use.
11. Bend tab on the top finishing trim 90 degrees. Attach trim to the top lip of the appliance with two 1/2 inch self-tapping screws. Install two additional 1/2 inch self-tapping screws where the top finishing template was held in place, shown in Figure 5. Apply a bead of silicone sealant (300 °F minimum continuous exposure rating) on the top arch finishing trim and secure in place. See Figure 8.
12. Install left and right side trim using the one inch Phillips screws that were used to attach the side finishing template as shown in Figure 5.

Note: After the template components have been removed, a layer of mortar may be applied over the visible non-combustible board between finishing material and the fireplace opening.

13. Reinstall glass frame according to the instructions in the installation manual.
14. Reinstall decorative front.

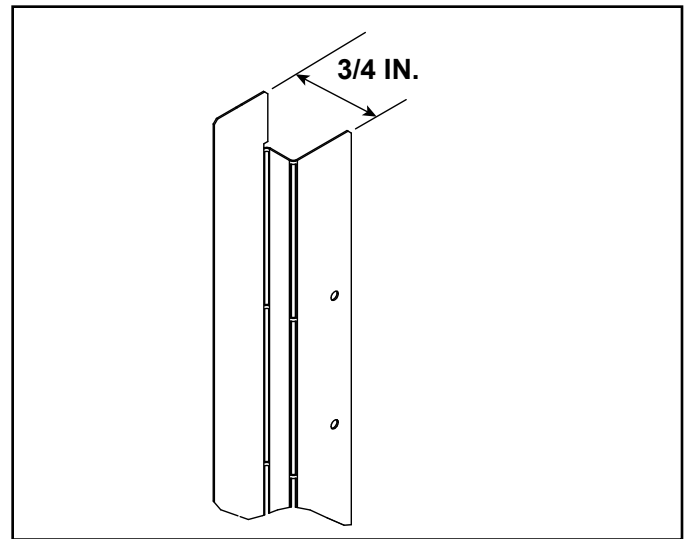


Figure 6. Bend Side Templates

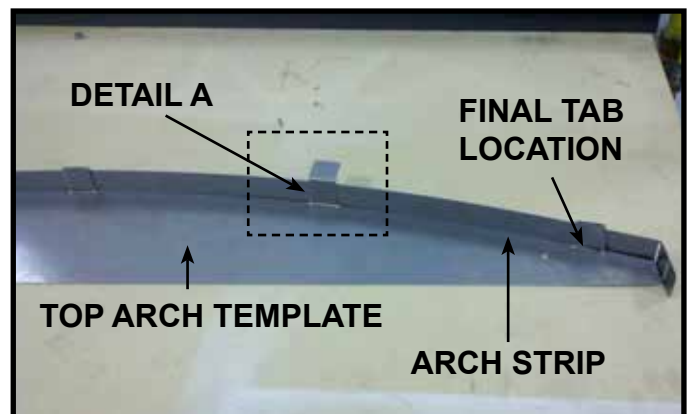


Figure 7. Bend Tabs

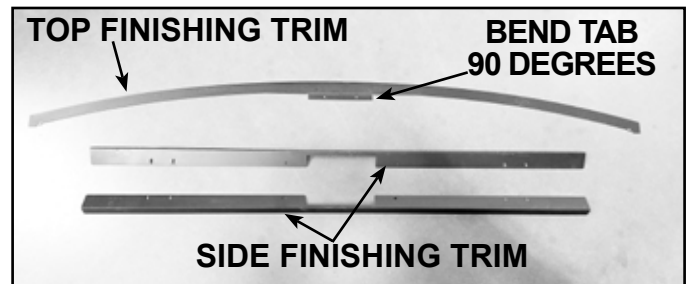


Figure 8. Finishing Trim

Please contact your Hearth & Home Technologies dealer with any questions or concerns.
 For the location of your nearest
 Hearth & Home Technologies dealer,
 please visit www.hearthnhome.com.

Hearth & Home Technologies
 7571 215th Street West, Lakeville, MN 55044
www.hearthnhome.com