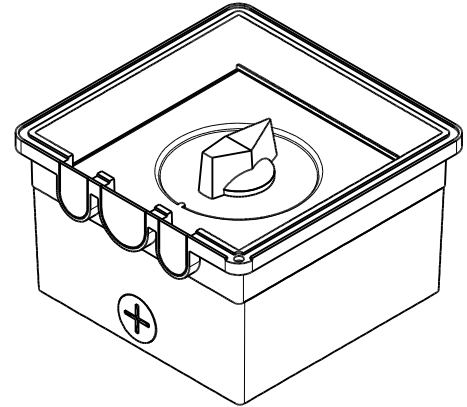
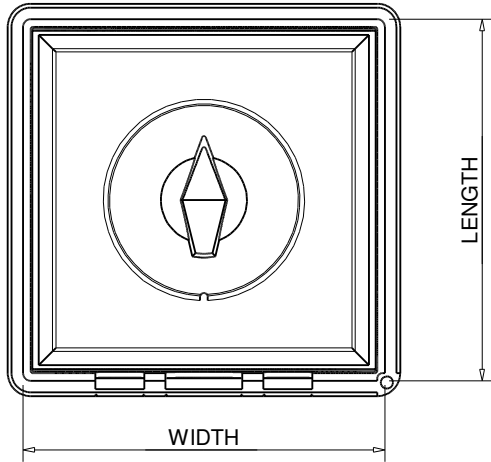




FIRE INSPIRED®

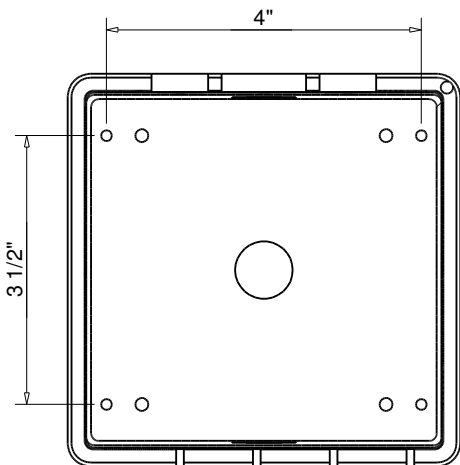
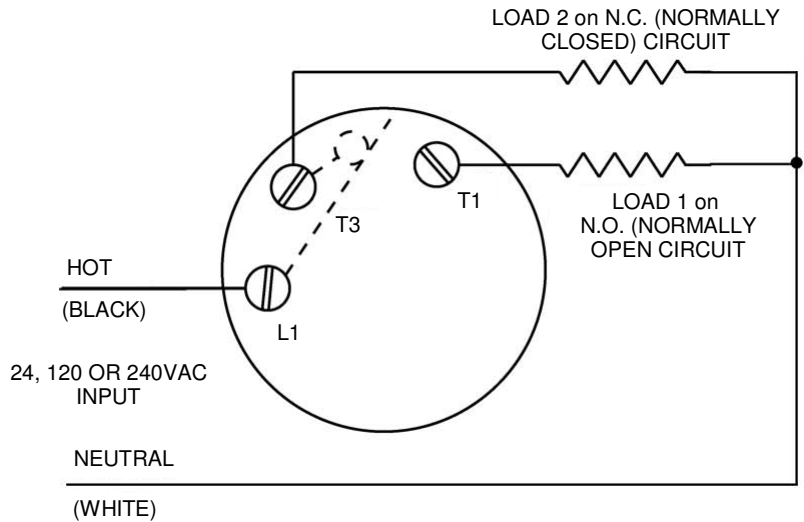
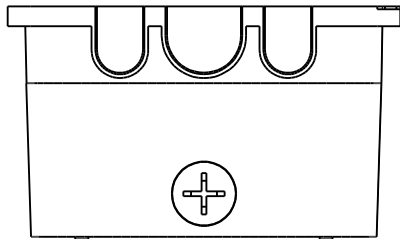
Hearth Products Controls Co  
CSA CERTIFIED-OUTDOOR USE ONLY  
FOR COMMERCIAL AND RESIDENTIAL USE

HEARTH PRODUCTS CONTROLS  
3050 PLAINFIELD RD.  
KETTERING, OH 45432  
TOLL FREE: 1-877-433-7001  
PHONE: (937) 433-7000  
FAX: (937) 433-0704  
www.hpcfired.com



NOTE:  
L1-T1 (N.O.) CIRCUIT IS ENERGIZED WHEN TIMER IS OPERATING  
(WOUND AND COUNTING DOWN). N.C. CIRCUIT IS OFF.

L1-T3 (N.C.) CIRCUIT IS ENERGIZED WHEN THE TIMER IS AT THE "ZERO" OR  
REST POSITION. N.O. CIRCUIT IS OFF.



SPECIFICATIONS

- MATERIAL: METAL
- MOUNTING TYPE: GROUND SCREW
- NUMBER OF MOUNTING HOLES: 4
- NUMBER OF KNOCKOUTS: 3
- NEMA: 3R RATED
- LENGTH: 4.650
- WIDTH: 4.700
- HEIGHT: 5.000 - WITH COVER NOT SHOWN

NOTE:  
LID NOT SHOWN IN MODEL. LID IS INCLUDED WITH BOTH  
MODELS.

