

681
series
shown

Series:
680, 681, 685, 686, 688, 689

(Media purchased separately)

Certified to:
ANSI Z21.97/CSA 2.41
for outdoor decorative
gas appliances



⚠ WARNING: For Outdoor Use Only

OUTDOOR FIRE PITS

⚠ WARNING: If the information in this manual is not followed exactly, a fire or explosion may result causing property damage, personal injury or loss of life.

- Do not store or use gasoline or other flammable vapors and liquids in the vicinity of this or any other appliance.
- A propane cylinder not connected for use shall not be stored in the vicinity of this or any other appliance.

⚠ DANGER

If you smell gas:

1. Shut off gas to the appliance.
2. Extinguish any open flame.
3. If odor continues, keep away from the appliance and immediately call your gas supplier or fire department.

Installation and service must be performed by an NFI Certified or other qualified professional installer, service agency, or gas supplier.

⚠ DANGER

CARBON MONOXIDE HAZARD



This appliance can produce carbon monoxide which has no odor.

Using it in an enclosed space can kill you.

Never use this appliance in an enclosed space such as a camper, tent, car, or home.

INSTALLER & CONSUMER: These instructions MUST be retained with this appliance for future reference.

Important: Read these instructions carefully before starting installation of the unit.

⚠ WARNING

Improper installation, adjustment, alteration, service, or maintenance can cause property damage, personal injury, or loss of life. Read the installation, operating and maintenance instructions thoroughly before installing or servicing this equipment.

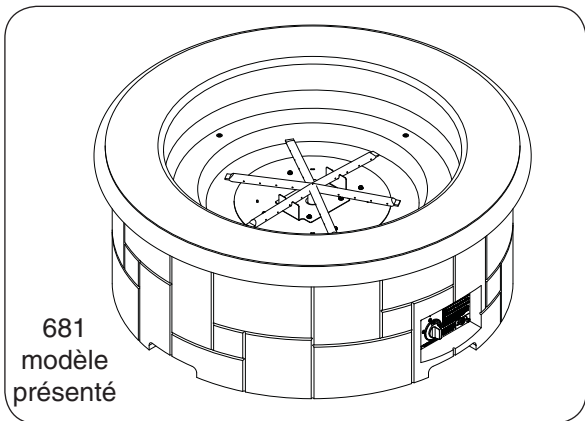
This appliance is designed as an **attended appliance**. Adults **must** be present when the unit is operating. **DO NOT** leave this unit burning when unattended. If this product is left burning unattended, it may cause damage or serious injury.

IMPORTANT

For safe operation and proper performance of this product and to comply with certification, listings, and building code acceptances, use **ONLY** Peterson AFD controls, parts, and accessories that have been specifically listed or certified for use with this burner system. Use of other controls, parts, or accessories is prohibited and will void all warranties, certifications, listings, and building code approvals, and may cause property damage, personal injury, and loss of life.

CODE AND SUPPLY REQUIREMENTS:

The installation must conform with local codes and ordinances, or, in the absence of local codes, with the latest *National Fuel Gas Code, ANSI Z223.1*.



681
modèle
présenté

Series:
680, 681, 685, 686, 688, 689

(Médias achetés séparément)

Certifié à:
ANSI Z21.97/CSA 2.41
pour les appareils à gaz
décoratifs extérieurs



⚠ AVERTISSEMENT: Pour l'usage extérieur seulement

FOYERS EXTÉRIEURS

⚠ AVERTISSEMENT: Si l'information en ce manuel n'est pas suivie exactement, un incendie ou une explosion peut résulter entraînant des dégâts matériels, le dommage corporel ou des pertes humaines.

- Ne pas entreposer ni utiliser d'essence ou d'autres vapeurs et liquides inflammables à proximité de cet appareil ou de tout autre.
- Une bouteille de propane non branchée ne doit pas être entreposée à proximité de cet ou tout autre appareil.

⚠ DANGER

Si vous sentez une odeur de gaz:

1. Coupez le gaz à l'appareil.
2. Éteindre toute flamme nue.
3. Si l'odeur persiste, éloignez-vous de l'appareil et appelez immédiatement votre fournisseur de gaz ou les pompiers.

L'installation et le service doivent être assurés par un NFI certifié ou toute autre installateur, agence de service, ou fournisseur professionnelle qualifiée de gaz.

⚠ DANGER

DANGER MONOXYDE DE CARBONE

Cet appareil peut produire du monoxyde de carbone n'a pas d'odeur qui.

Son utilisation dans un espace clos peut vous tuer.

Ne jamais utiliser cet appareil dans un espace clos comme une caravane, tente, véhicule ou maison.



d'INSTALLATEUR; CONSOMMATEUR: Ces instructions DOIVENT être maintenues avec cet appareil pour la future référence.

Important: Lisez ces instructions soigneusement avant de commencer l'installation de l'unité.

⚠ AVERTISSEMENT

L'installation, l'ajustement, le changement, le service, ou l'entretien inexact peuvent causer des dégâts matériels, le dommage corporel, ou des pertes humaines. Lisez l'installation, l'opération et les instructions d'entretien complètement avant d'installer ou entretenir cet équipement.

Cet appareil est conçu comme appareil occupé. Les adultes doivent être présent quand l'unité fonctionne. Ne laissez pas ce burning d'unité si sans surveillance. Si ce produit est laissé sans surveillance brûlant, il peut causer des dommages ou des dommages sérieux.

IMPORTANT

Pour l'exploitation sûre et l'exécution appropriée de ce produit et pour se conformer à la certification, aux listes, et aux acceptations de codes du bâtiment, commandes, pièces, et accessoires de Peterson d'utilisation SEULEMENT qui ont été spécifiquement énumérés ou certifiés pour l'usage avec ce système de brûleur. L'utilisation d'autres commandes, pièces, ou accessoires est interdite et videra toutes les garanties, certifications, listes, et approbations de codes du bâtiment, et peut causer des dégâts matériels, le dommage corporel, et des pertes humaines.

CONDITIONS DE CODE ET D'APPROVISIONNEMENT:

L'installation doit se conformer aux codes locaux et aux ordonnances, ou, en l'absence des codes locaux, au plus défunt code national de gaz de carburant, la norme ANSI Z223.1.

TABLE OF CONTENTS

GETTING STARTED

PRE-INSTALLATION AND PREPARATION SAFETY GUIDELINES	4
INSTALLATION SAFETY GUIDELINES	5
OPERATING THE UNIT SAFELY AND CORRECTLY ..	5
SAFE USE & MAINTENANCE OF PROPANE GAS CYLINDERS.....	7
ELECTRICAL SAFETY INFORMATION	8
SPECIFICATIONS AND DIMENSIONS.....	9
<i>REQUIRED PRIMARY MEDIA OPTIONS</i>	10
<i>SECONDARY MEDIA OPTIONS (optional)</i>	10
MINIMUM CLEARANCES	12
TOOLS REQUIRED	12
PARTS LIST.....	13

INSTALLATION

IMPORTANT SAFETY INFORMATION	20
FIRE PIT INSTALLATION - COMMON	20
<i>BEFORE YOU BEGIN</i>	20
<i>LOCATION</i>	20
<i>GAS SUPPLY SETUP (if applicable)</i>	21
<i>ELECTRICAL SETUP (if applicable - F models)</i>	21
FIRE PIT INSTALLATION - DEFAULT/LOWER BURNER POSITION.....	22
<i>PLACE UNIT AND REMOVE BURNER</i>	22
<i>CONNECT GAS SUPPLY</i>	23
<i>LEAK TEST</i>	24
<i>CONNECT POWER SUPPLY CORD (if applicable - F models)</i>	25
<i>INSTALL BATTERIES (if applicable - F models)</i>	25
<i>REINSTALL BURNER ASSEMBLY</i>	25
<i>LIGHTING TEST</i>	25
FIRE PIT INSTALLATION - UPPER BURNER POSITION (IF APPLICABLE)	26
<i>PLACE UNIT AND REMOVE BURNER</i>	26
<i>REMOVE REMOTE RECEIVER (if applicable - F models)</i>	27
<i>REVERSE REFRACTORY PANEL POSITION</i>	27
<i>REINSTALL REMOTE RECEIVER (if applicable - F models)</i>	28
<i>CONNECT FLEX TO BURNER</i>	28

<i>CONNECT GAS SUPPLY</i>	29
<i>LEAK TEST</i>	30
<i>CONNECT POWER SUPPLY CORD (if applicable - F models)</i>	31
<i>REINSTALL BURNER ASSEMBLY</i>	31
<i>LIGHTING TEST</i>	31
DECORATIVE MEDIA PLACEMENT	32
<i>REQUIRED BASE MEDIA (SUPPLIED)</i>	32
<i>PRIMARY AND SECONDARY MEDIA OPTIONS</i> ...	33
OPTIONAL ACCESSORIES	35
<i>OPTIONAL FABRIC COVER</i>	35
NOTES PAGE	36

USE, CARE, & SERVICE

LIGHTING INSTRUCTIONS - CONTROL KNOB MODELS	37
<i>FOR YOUR SAFETY, READ BEFORE LIGHTING</i> ..	37
<i>TO SHUT OFF GAS TO THE APPLIANCE</i>	37
LIGHTING INSTRUCTIONS - KEY VALVE MODELS	39
<i>FOR YOUR SAFETY, READ BEFORE LIGHTING</i> ..	39
<i>TO SHUT OFF GAS TO THE APPLIANCE</i>	39
LIGHTING INSTRUCTIONS - ALL WEATHER REMOTE MODELS	41
<i>FOR YOUR SAFETY, READ BEFORE LIGHTING</i> ..	41
<i>REMOTE LIGHTING</i>	41
<i>MANUAL LIGHTING</i>	43
<i>SHUTTING DOWN</i>	43
<i>MASTER SWITCH</i>	43
<i>PILOT APPEARANCE</i>	43
SERVICING AND CLEANING.....	45
<i>ANNUAL CLEAN / INSPECTION GUIDELINES</i>	45
<i>CONCRETE CARE</i>	46
<i>FUEL CONVERSION KITS</i>	46
<i>SYNCING THE REMOTE SYSTEM (if applicable)</i> ..	47
<i>BATTERY INSTALLATION/REPLACEMENT (if applicable)</i>	47
<i>FUSE REPLACEMENT (if applicable)</i>	48
TROUBLESHOOTING.....	50
WARRANTY	52

IMPORTANT SAFETY INFORMATION

Congratulations on your purchase of an American Fyre Designs outdoor gas fire pit. Made with pride in America, your new fire pit complies with national safety standards and when installed per these instructions and used as intended it will provide warmth and comfort to your outdoor area for many years.

Prior to installation and operation ensure that all specifications, dimensions, and minimum clearances stated in this manual are observed. You must read all warnings and safety information, and understand all of the information in this manual. All installation requirements must be observed and met.

PRE-INSTALLATION AND PREPARATION SAFETY GUIDELINES

- A. A shut-off valve (not included) in the gas line is required.** It provides for safety when the unit is not in use and for convenient maintenance and repair. It must be installed within 6 feet of unit. Use a pipe joint compound resistant to all gasses on all male fittings except flare fittings.
- B.** Before installing this unit, check the MINIMUM CLEARANCES section to ensure that the surrounding area is **properly sized for the installation.**
- C.** The unit is for outdoor use only. **DO NOT** install or use this appliance inside a building, garage, or any other enclosed area, including recreational vehicles and/or boats. **THIS UNIT MUST BE INSTALLED SO THAT THE VENT OPENINGS AND SURROUNDING AREA OF THE UNIT REMAIN CLEAR AND FREE AT ALL TIMES.**
- D. SOLID FUEL MUST NOT BE BURNED in the unit.**
- E. CHECK GAS TYPE** (natural gas or propane): The gas supply you intend to use may not be the same as that stated on the unit rating plate as purchased. If the gas supply is different, **convert the unit to the gas type you intend to use (IF PERMITTED).** See the FUEL CONVERSION KIT section and contact the dealer for assistance.
- F. FOR NATURAL GAS:** The minimum inlet gas-supply pressure for purposes of input adjustment is **5"** water column (w.c.), and the maximum inlet gas-supply pressure is **10.5 "** w.c.
FOR PROPANE GAS: The minimum inlet gas-supply pressure for purposes of input adjustment is **11"** w.c., and the maximum inlet gas-supply pressure is **13"** w.c. **DO NOT INSTALL THIS UNIT IF MINIMUM PRESSURE IS NOT AVAILABLE OR IF MAXIMUM PRESSURE IS EXCEEDED.**
- G. The gas piping system must be sized to provide minimum inlet pressure at the maximum flow rate (BTU/hr).** Undue pressure loss will occur if the pipe is too small, or the run is too long. Gas supply pipe must be 1/2" minimum interior diameter. If the gas line is longer than 20', a larger diameter line may be necessary. Refer to the NFPA 54 guidelines for further details.
- H.** For installations at elevations above 2,000 ft., contact your local dealer or gas supplier before installing. Input ratings should be reduced approximately 4% per 1,000 ft. above sea level. Refer to National Fuel Gas Code.
- I.** The unit and its individual shut-off valve must be disconnected from the gas-supply piping system during any pressure testing of that system at test pressures in excess of 1/2 psi (3.5 kPa). This is accomplished by closing the gas-supply line valve. The unit must be isolated from the gas-supply piping system by closing its individual manual shut-off valve during any pressure testing of the gas-supply piping system at test pressures equal to or less than 1/2 psi (3.5 kPa).
- J.** When an appliance is for connection to a fixed piping system, the installation must conform with local codes, or in the absence of local codes with the National Fuel Gas Code, ANSI Z223.1/NFPA 54; International Fuel Gas Code, Natural Gas and Propane Installation Code, CSA B149.1; or Propane Storage and Handling Code, B149.2, as applicable. The appliance, when installed, must be electrically grounded in accordance with local codes, or in the absence of local codes with the National Electrical Code, ANSI/NFPA 70; or the Canadian Electrical Code, CSA C22.1, if applicable.

Electrical Grounding Instructions (if applicable) - Select models are equipped with a three-prong (grounding) plug for your protection against shock hazard and should be plugged directly into a properly grounded three-prong receptacle. Do not cut or remove the grounding prong from this plug.

- K. INSTALLER NOTE:** This unit should be installed so that it can be removed if service is required.

L. GAS-SUPPLY PLUMBING REQUIREMENTS

Apply only joint compounds that are resistant to all gasses on all male pipe fittings. Make sure to tighten every joint securely. Do not use pipe joint compound to connect flare fittings. Bring the gas-supply pipe up from beneath the enclosure near its center (if applicable).

- M. DECORATIVE MEDIA:** The included lava granules, and additional primary decorative media (not included), are required for safe operation and proper performance. You MUST purchase the additional primary media separately. Numerous options are available. See the SPECIFICATIONS AND DIMENSIONS (media option) section for details.

CAUTION: Installation and maintenance must be done by an NFI Certified or other qualified professional service technician. Installer, read these instructions before installing this product. Be sure you understand all safety precautions and warnings contained in this manual.

INSTALLATION SAFETY GUIDELINES

- A. Carefully inspect for shipping damage. If any parts are damaged, contact your dealer.
- B. Installation and repair should be done by a qualified professional service technician. The appliance should be inspected before use and at least annually by a qualified service person. More frequent cleaning may be required as necessary. It is imperative that control compartment, burners and circulating air passageways of the appliance are kept clean.
- C. **WEAR GLOVES AND USE EXTREME CAUTION WHENEVER INSTALLING AND HANDLING THIS PRODUCT AND ITS ACCESSORIES AS CERTAIN COMPONENTS HAVE SHARP EDGES THAT CAN CAUSE PERSONAL INJURY.**
- D. Correct installation and proper placement of the unit and decorative media **is crucial** to the safe performance of the unit. See MEDIA PLACEMENT section for details.
- E. **DO NOT** install the unit under any overhead construction that is less than 6 feet above the top of the unit.
- F. Ensure that the unit is installed on a hard and level surface.
- G. **This unit must be installed so that the vent openings and surrounding area of the unit remain clear and free at all times.**
- H. Due to high temperatures, the unit must be located out of traffic areas and away from combustibles.
- I. **IF APPLICABLE, KEEP THE PILOT/IGNITER SCREEN CLEAR OF DECORATIVE MEDIA AND ANY OTHER ITEMS / DEBRIS AT ALL TIMES. THIS WILL ALLOW FOR PROPER IGNITION AND OPERATION. DO NOT COVER.**

OPERATING THE UNIT SAFELY AND CORRECTLY

- A. **This product is a decorative gas appliance. It is not a cooking appliance.**
- B. **SOLID FUEL MUST NOT BE BURNED** in the unit.
- C. When shutting the unit down—be sure to TURN THE CONTROL VALVE FULLY OFF.
- D. Children MUST be supervised when they are in the area of this appliance.
- E. **DO NOT** sit or place any part of the body, clothing, or other flammable materials on or near the unit surround. Children and adults should be alerted to the hazard of high surface temperatures and should stay away to avoid burns or clothing ignition. DO NOT lean over the unit when lighting or when in use.
- F. Every time you use the unit, **make sure that:**
 - 1. The area around the unit is clear and free from combustible materials, gasoline and other flammable vapors and liquids.
 - 2. The vent openings and surrounding area of the unit are clear and free at all times.
 - 3. **THE PILOT/IGNITER SCREEN IS CLEAR OF DECORATIVE MEDIA AND ANY OTHER ITEMS / DEBRIS (IF APPLICABLE). DO NOT COVER.**
 - 4. The hose is inspected (if applicable). See the SAFE USE & MAINTENANCE OF PROPANE-GAS CYLINDERS section.
- G. **WARNING: HOT WHILE IN OPERATION AND FOLLOWING OPERATION. Serious injury can occur! DO NOT** throw trash, paper, or other flammable materials onto the unit. **DO NOT** leave in operation when unattended.
WARNING: DO NOT operate this unit in the rain.
WARNING: DO NOT operate this unit in high-wind conditions. Operating in high-wind conditions may expose your unit to direct flame, which will result in cracking and discoloration to the finish.
- H. **DO NOT** continue using if you smell unusual odors, or have headaches, nausea, or dizziness.
- I. **DO NOT** store any combustible materials, gasoline, and any other flammable vapors/liquids in the vicinity of the unit. Provide adequate clearance for servicing and operation.
- J. Matches, paper, garbage, or any other material must not be thrown onto the unit or into the flame.
- K. **DO NOT** use the unit if any part of it has been underwater. Immediately call a qualified professional service technician to inspect the unit and to replace any part of the control system and any gas control that has been underwater.
- L. **WARNING:** Food cannot be consumed after coming in direct contact with the surface of the appliance due to possible contamination.

UTILISATION SÛRE ET ENTRETIEN DES CYLINDRES DE GAZ DE PROPANE

IMPORTANT POUR VOTRE SÛRETÉ

LISEZ ET SUIVEZ TOUS LES AVERTISSEMENTS ÉQUIPÉS DE VOTRE CYLINDRE DE GAZ DE PROPANE.

En actionnant cet appareil avec un cylindre de gaz de propane ON DOIT observer ces instructions et avertissements.

LE MANQUE DE FAIRE AINSI PEUT AVOIR COMME CONSÉQUENCE UNE INCENDIE OU UNE EXPLOSION SÉRIEUSE.

CYLINDRE ET CONDITIONS ET

CARACTÉRISTIQUES DE CONNECTEUR

- Des cylindres et les valves de gaz de propane doivent être maintenus en bon état et doivent être remplacés s'il y a des dommages évidents au cylindre ou à la valve.
- Ce gril, une fois utilisé avec un cylindre, devrait être relié à un gallon de la norme 5 (20lb.) cylindre de gaz de propane équipé d'un OPD (remplissez au-dessus du niveau le dispositif d'empêchement). L'OPD a été exigé sur tous les cylindres vendus depuis octobre 1.1998 pour empêcher le remplissage excessif.
- Les dimensions de cylindre devraient être approximativement 12"(30.5cm) de diamètre et 18" (45.7cm) hauts. Des cylindres doivent être construits et marqués selon les caractéristiques pour des cylindres de gaz de propane du département des ETATS-UNIS du transport (D.O.T.) ou le niveau national du Canada, du CAN/CSA-B339, des cylindres, des sphères et des tubes pour le transport des marchandises dangereuses.
- Le cylindre doit inclure un collier pour protéger la valve de cylindre et le circuit d'alimentation de cylindre doit être assuré le retrait de vapeur.
- Le régulateur de pression et l'ensemble de tuyau utilisé doivent assortir les spécifications pour le type I par ANSI Z 21.58/CGA 1.6 (voir la figue. 6-1).
- La valve de cylindre de gaz de propane doit être équipée d'un dispositif d'accouplement de raccordement de cylindre, décrit comme type I dans la norme définie dans le e. de paragraphe ci-dessus. Ce dispositif est généralement décrit comme coupleur rapide de fil de point culminant.
- Si votre cylindre de gaz de propane vient avec une prise de la poussière, placez le bouchon anti-poussière sur la sortie de valve de cylindre toutes les fois que le cylindre n'est pas en service.

OPÉRATION DE COUPLEUR RAPIDE

Pour relier le régulateur/hose à l'ajustage de précision de valve de cylindre de gaz de propane: Serrez l'écrou de main sur le régulateur au-dessus de l'ajustage de précision de fil de point culminant sur la valve de cylindre. Tournez l'écrou de

main dans le sens des aiguilles d'une montre pour engager les fils et pour serrer jusqu'à ce que douillettement. L'utilisation des pinces ou de la clé ne devrait pas être nécessaire. Seulement le propane marqué par cylindres doit être employé.

Pour débrancher: Tournez l'écrou de main dans le sens contraire des aiguilles d'une montre jusqu'à isolé (fig. 6-1).

Important: Avant d'employer le gril, et ensuite chaque fois que le cylindre est enlevé et rattaché, examinez tous les raccordements pour déceler les fuites. Arrêtez les valves de gril et ouvrez la valve principale de cylindre, puis vérifiez les raccordements avec de l'eau savonneux. Réparez toutes les fuites avant d'allumer le gril.

ATTENTION: Tournez toujours la valve principale de cylindre de propane au loin après chaque utilisation, et avant de déplacer le gril et le cylindre, ou débrancher l'accouplement. Cette valve doit rester fermée et le cylindre a débranché alors que l'appareil n'est pas en service, quoique l'écoulement de gaz soit arrêté par un dispositif de sûreté quand le coupleur est débranché.

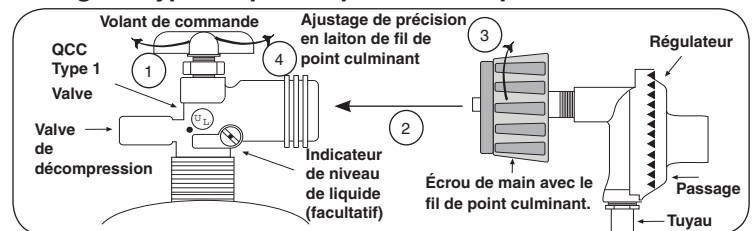
Inspectez soigneusement l'ensemble de tuyau chaque fois avant que le gaz soit allumé. Un tuyau fissuré ou effiloché doit être immédiatement remplacé.

Si l'appareil est stocké à l'intérieur, le cylindre doit être disconnected et a enlevé. Des cylindres Disconnected doivent être stockés dehors, hors de la portée des enfants, avec les prises de valve filettées étroitement installées, et ne doivent pas être stockés dans un bâtiment, le garage, ou n'importe quel autre secteur inclus.

POUR VOTRE SÛRETÉ

- Ne stockez pas un cylindre de gaz disponible de propane dessous ou ne vous approchez pas de cet appareil.
- Ne remplissez jamais cylindre au delà de 80 pour cent de plein.
- SI L'INFORMATION DANS "A" ET "B" N'EST PAS SUIVIE EXACTEMENT, UN FEU CAUSANT LA MORT OU DES DOMMAGES SÉRIEUX PEUT SE PRODUIRE.

Fig. 6-1 type coupleur rapide de fil de point culminant d'I



SAFE USE & MAINTENANCE OF PROPANE GAS CYLINDERS

IMPORTANT FOR YOUR SAFETY

READ AND FOLLOW ALL WARNINGS PROVIDED WITH THE PROPANE-GAS CYLINDER.

When operating this appliance with a propane-gas cylinder, these instructions and warnings **MUST** be observed.

FAILURE TO DO SO MAY RESULT IN A SERIOUS FIRE OR EXPLOSION.

CYLINDER/CONNECTOR REQUIREMENTS

- a. Propane-gas cylinders, valves, and hoses must be maintained in good condition and must be replaced if there is visible damage to either the cylinder or valve. If the hose is cut or shows excessive abrasion or wear, it must be replaced before using the gas appliance (see e.).
- b. This unit, when used with a cylinder, should be connected to a standard 5-gallon (20 lb.) propane-gas cylinder equipped with an OPD (Overfill Prevention Device). The OPD has been required on all cylinders sold since October 1, 1998, to prevent overfilling.
- c. Cylinder dimensions should be approximately 12" (30.5 cm) in diameter and 18" (45.7 cm) high. Cylinders must be constructed and marked in accordance with the *Specifications for Propane Gas Cylinders of the U.S. Department of Transportation (D.O.T.)* or the National Standard of Canada, *CAN/CSA-B339, Cylinders, Spheres, and Tubes for Transportation of Dangerous Goods*.
- d. The cylinder used must include a collar to protect the cylinder valve, and the cylinder supply system must be arranged for vapor withdrawal.
- e. The pressure regulator and hose assembly used must match the specification for Type I by *ANSI Z 21.58/CGA 1.6* (see Fig. 7-1).
- f. The propane-gas cylinder valve must be equipped with a cylinder connection coupling device, described as Type I in the standard defined in paragraph e. above. This device is commonly described as an Acme thread quick coupler.
- g. If the propane-gas cylinder comes with a dust plug, place the dust cap on the cylinder valve outlet whenever the cylinder is not in use.

QUICK COUPLER OPERATION

To connect the regulator/hose assembly to the propane-gas cylinder valve fitting: Press the hand nut on the regulator over the Acme thread fitting on the cylinder valve. Turn the hand nut clockwise to engage the threads and tighten until snug.

The use of pliers or a wrench should not be necessary. Only cylinders marked "propane" may be used.

To disconnect: Turn the hand nut counterclockwise until detached (Fig. 7-1).

Important: Before using the unit, and after each time the cylinder is removed and reattached, check the hose for wear (see a.) and check all connections for leaks. Turn off the unit valves and open the main cylinder valve, then check connections with soapy water. Repair any leaks before lighting the unit.

CAUTION: Always turn the propane cylinder main valve off after each use, and before moving the unit and cylinder or disconnecting the coupling. This valve must remain closed and the cylinder disconnected while the appliance is not in use, even though the gas flow is stopped by a safety feature when the coupler is disconnected.

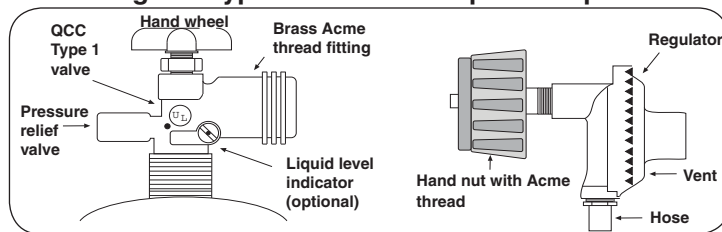
Carefully inspect the hose assembly each time before the gas is turned on. A cracked or frayed hose must be replaced immediately.

If the appliance is stored indoors, the cylinder must be disconnected and removed. Disconnected cylinders must be stored outdoors, out of the reach of children, with threaded valve plugs tightly installed, and must not be stored in a building, garage, or any other enclosed area.

FOR YOUR SAFETY

- a. DO NOT store a spare propane-gas cylinder under or near this appliance.
- b. NEVER fill the cylinder beyond 80-percent full.
- c. IF THE INFORMATION IN a. AND b. IS NOT FOLLOWED EXACTLY, A FIRE CAUSING DEATH OR SERIOUS INJURY MAY OCCUR.

Fig. 7-1 Type I Acme thread quick coupler



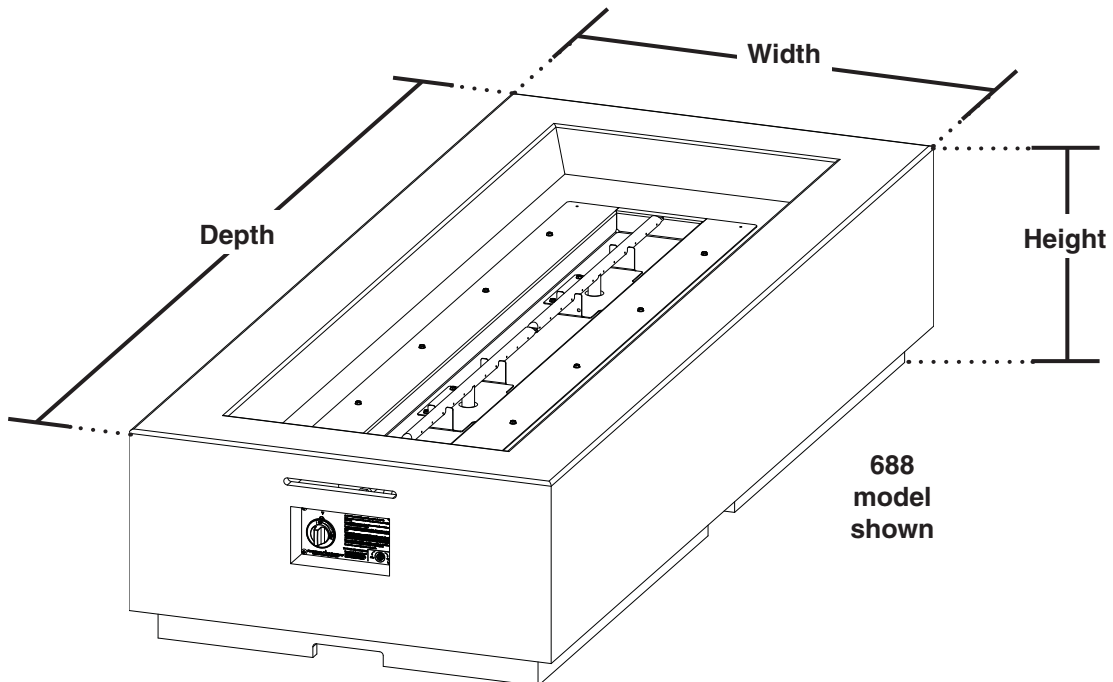
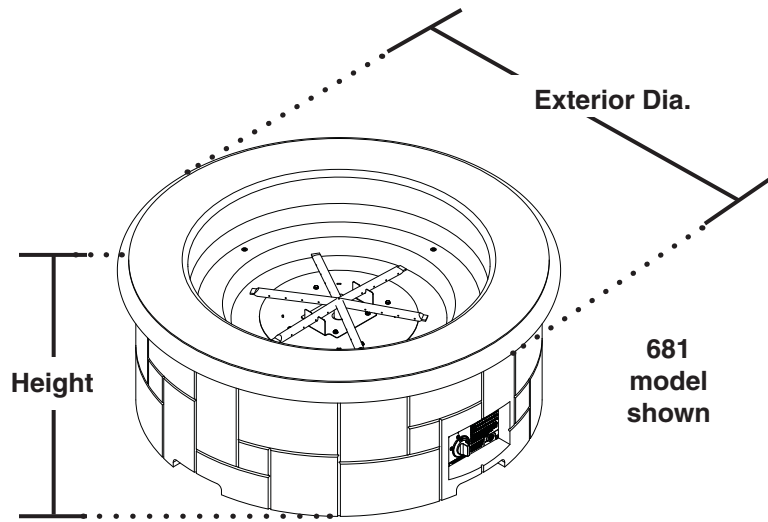
ELECTRICAL SAFETY INFORMATION

- To protect against electric shock, do not immerse cord or plugs in water or other liquid.
- Unplug from the outlet when not in use and before cleaning. Allow to cool before putting on or taking off parts.
- Do not operate any outdoor gas appliance with a damaged cord, plug, or after the appliance malfunctions or has been damaged in any manner. Contact the manufacturer for repair.
- Do not let the cord touch hot surfaces.
- Do not use an outdoor gas appliance for purposes other than intended.
- When connecting, first make wire connections then plug appliance into the outlet.
- **Use only a properly wired and inspected 120VAC (15 AMP minimum) Ground Fault Circuit Interrupter (GFCI) GROUNDED 3-wire receptacle with this outdoor gas appliance.**
- The GFCI receptacle must be a WEATHER-PROOF IN-USE COVERED RECEPTACLE.
- Never remove the grounding plug or use with an adapter of 2 prongs.
- Use only extension cords with a 3 prong grounding plug, rated for the power of the equipment, and approved for outdoor use with a W-A marking.
- **The provisions of the National Electric Code as well as any local codes must be observed when installing the product.**

SPECIFICATIONS AND DIMENSIONS

Style	BTUs				Dimensions	Weight
	V/K Models		F Models			
	Nat.	L.P.	Nat.	L.P.		
Chiseled Fire Pit (680)	65,000	60,000	140,000	140,000	14 1/2" h, 39" exterior dia	235 lbs
El Dorado Fire Pit (681)	65,000	60,000	140,000	140,000	14 1/2" h, 39" exterior dia	210 lbs
Contractor's Model Fire Pit (685)	65,000	60,000	140,000	140,000	14 1/2" h, 39" exterior dia	190 lbs
Louvre Round Fire Pit (686)	65,000	60,000	140,000	140,000	15 1/4" h, 48" exterior dia	220 lbs
Louvre Long Rectangle Fire Pit (688)	65,000	60,000	120,000	110,000	30 1/4" w x 72 1/4" d x 15 1/4" h	260 lbs
Louvre Rectangle Fire Pit (689)	65,000	60,000	100,000	90,000	30 1/4" w x 56 1/4" d x 15 1/4" h	215 lbs

Table 1 - Product Specifications



SPECIFICATIONS AND DIMENSIONS (cont.)

Only the decorative media options listed below are approved for use with this product. Follow the recommendations for media amounts. All decorative media options are purchased separately; contact your local American Fyre Designs dealer when ordering.

REQUIRED BASE MEDIA

Lava granules (included with burner) **MUST** first be placed to fill the burner area.

REQUIRED PRIMARY MEDIA OPTIONS

Additional decorative media such as lava / glass / gems (purchased separately) **MUST** then be placed to cover the burner.

When using lava media:

Style	Recommended Amount of Granules / Coals	
	With Burner in Default/Lower Position	With Burner in Upper Position
Chiseled Fire Pit (680), El Dorado Fire Pit (681), Contractor's Model Fire Pit (685)	20 lbs	30 lbs
Louvre Rectangle Fire Pit (689)	30 lbs	n/a
Louvre Round Fire Pit (686), Louvre Long Rectangle Fire Pit (688)	40 lbs	n/a

Table 2 - Lava Recommendations

When using glass media:

Style	Recommended Amount of Glass / Gems	
	With Burner in Default/Lower Position	With Burner in Upper Position
Chiseled Fire Pit (680), El Dorado Fire Pit (681), Contractor's Model Fire Pit (685)	30 lbs	60 lbs
Louvre Round Fire Pit (686)	70 lbs	n/a
Louvre Long Rectangle Fire Pit (688)	60 lbs	n/a
Louvre Rectangle Fire Pit (689)	50 lbs	n/a

Table 3 - Glass Recommendations

SECONDARY MEDIA OPTIONS (optional)

Secondary options such as logs / volcanic stones / river stones / creekstones / geo shapes / wood chunks / glass nuggets (purchased separately) may also be placed on top of the lava or glass media.

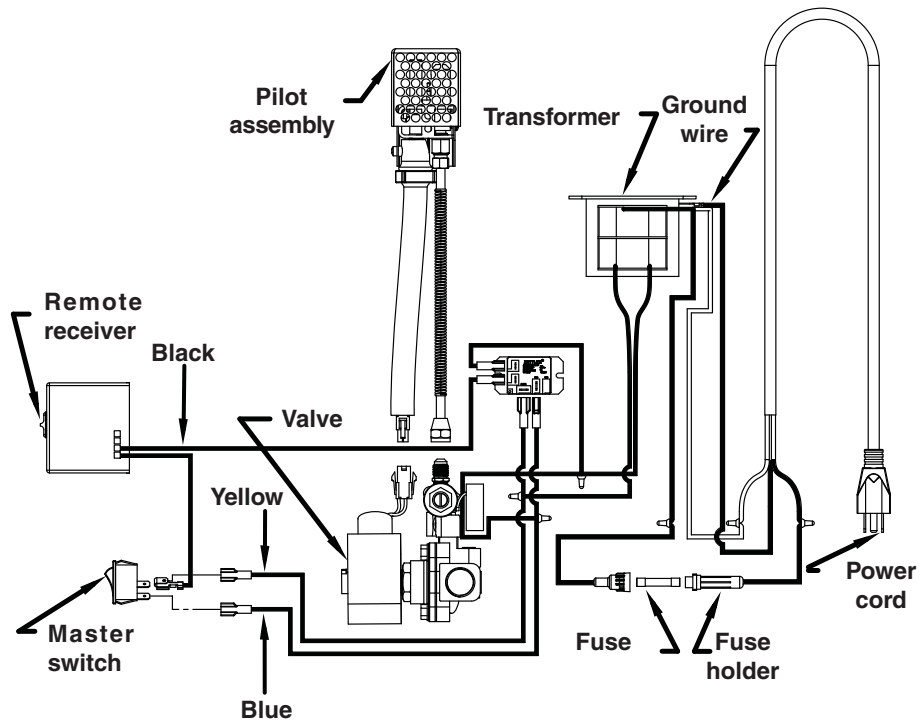
Note: *When using volcanic stones, use VS-25 (25 lbs).*

SPECIFICATIONS AND DIMENSIONS (cont.)

Specification	Value	Qty.
Input electrical requirements	120VAC / 15 AMP minimum / 60 Hz / GFCI outlet	N/A
Remote transmitter battery type	12V battery	1
Remote receiver battery type	AA battery	4

Table 4 - Technical Data (F Models Only)

F MODELS WIRING DIAGRAM



MINIMUM CLEARANCES

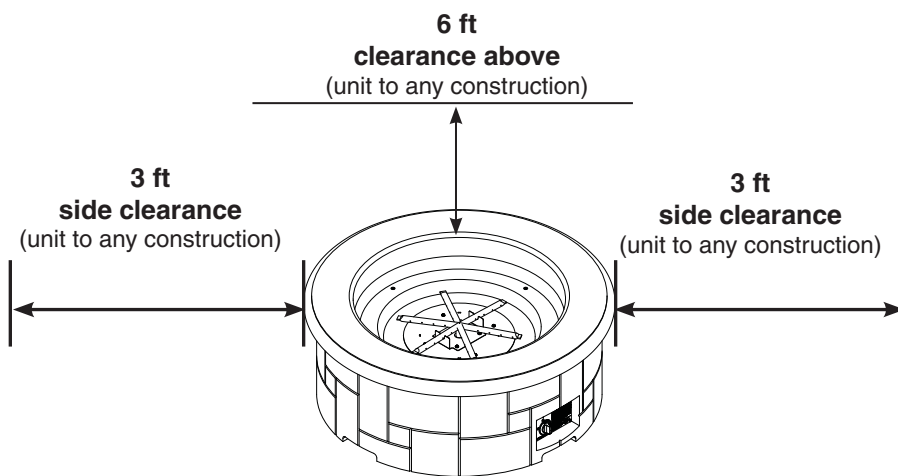
The dimensions shown below are **MINIMUM CLEARANCES** to maintain when you install the unit.

ALL CLEARANCES AND INFORMATION STATED HERE MUST BE MAINTAINED AND FOLLOWED.

Note: Over time sooting may occur on the ceiling above the unit (if applicable).

Description	Dimension
Side clearance (from unit edge to any construction)	3 ft
Clearance above unit (from unit top to any construction)	6 ft
Clearance below unit	0"

Table 5 - Minimum Clearances



Floor must be a hard, level surface. Combustible materials permitted.

TOOLS REQUIRED

The following are the minimum tools required for the installation of your unit. Additional tools may be required for your individual installation.

- 2 (or more) assemblers recommended
- appropriate tools for gas supply and electrical install
- Phillips screwdriver
- 5/16" nut driver (or equivalent)
- 1/4" nut driver (or equivalent)

PARTS LIST

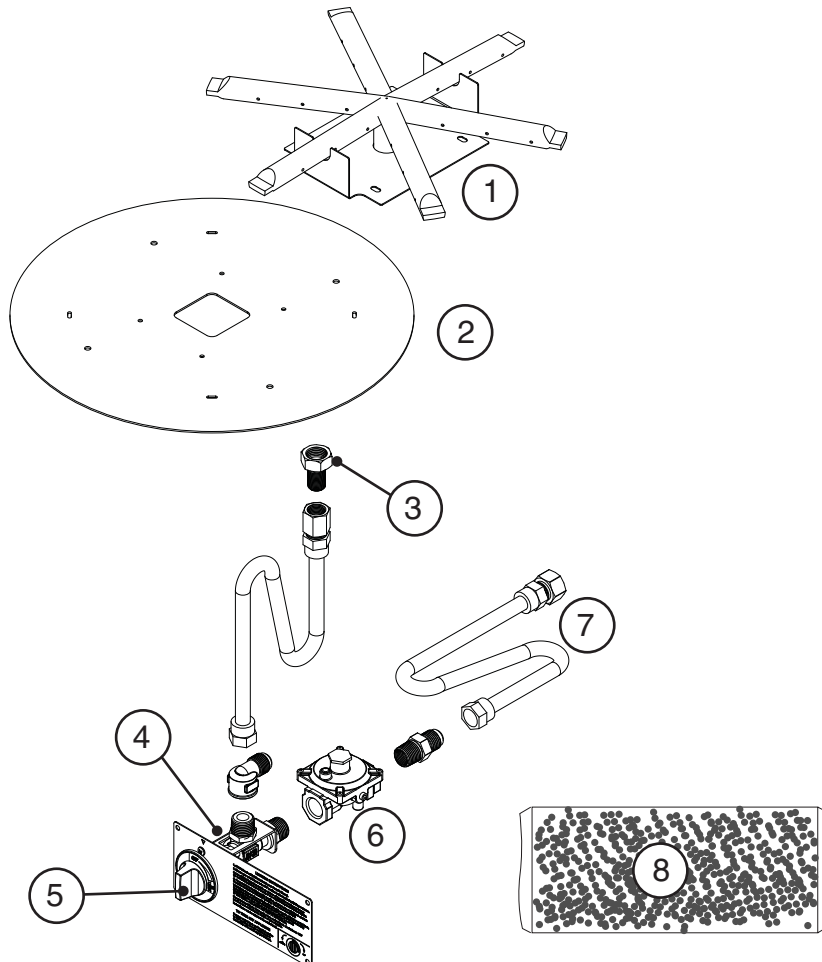
- In addition to the appropriate Common Replacement Parts List, reference the Identification Parts List.
- Decorative media is purchased and packaged separately. Various styles are available.
- Your unit is packaged onto 1 pallet.
- Decorative media and replacement parts can be ordered from your local American Fyre Designs dealer.
- Select models are illustrated (your model may vary)

IMPORTANT
Remove all packing material (including any protective coatings) and discard prior to use.

**SOME COMPONENTS ARE HEAVY
HANDLE WITH CARE**

COMMON REPLACEMENT PARTS LIST - V6 MANUAL MODELS

Item	Description	Part No.	Qty.
1.	16" star burner, only	OBS-16	1
2.	Round burner plate	OBP-12	1
3.	Orifice (Nat.)	AB-2-21	1
or	Orifice (L.P.)	AM-2-42	1
4.	Control valve w/ knob assembly	AV-20	1
5.	Control knob (only)	KNOBS4	1
6.	Convertible regulator	PR-4	1
7.	Flex connector	3035	1
8.	Lava granules	LF-10	1



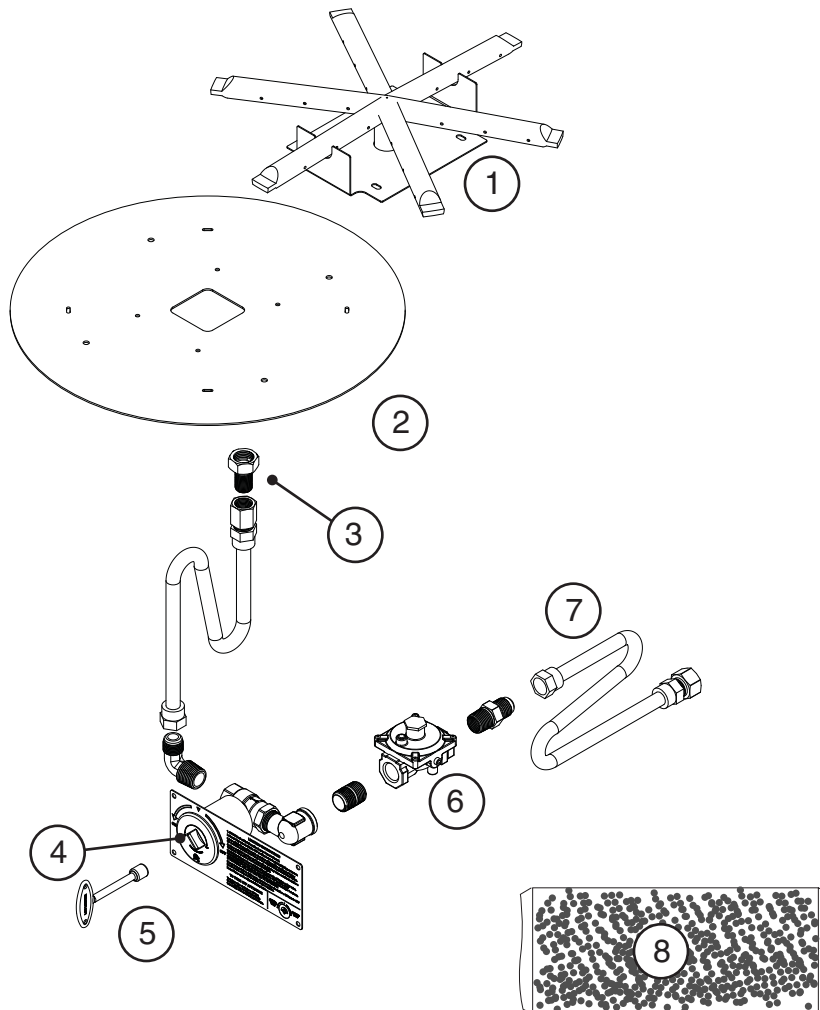
Configuration shown may slightly vary from that of your model

PARTS LIST (cont.)

COMMON REPLACEMENT PARTS LIST - K6 MANUAL MODELS

Item	Description	Part No.	Qty.
1.	16" star burner, only	OBS-16	1
2.	Round burner plate	OBP-12	1
3.	Orifice (Nat.) or Orifice (L.P.)	AB-2-23 AM-2-42	1 1
4.	Key valve w/ key assembly	AV-30	1
5.	Key (only)	VK-1	1
6.	Convertible regulator	PR-4	1
7.	Flex connector	3035	1
8.	Lava granules	LF-10	1

Configuration shown
may slightly vary from
that of your model



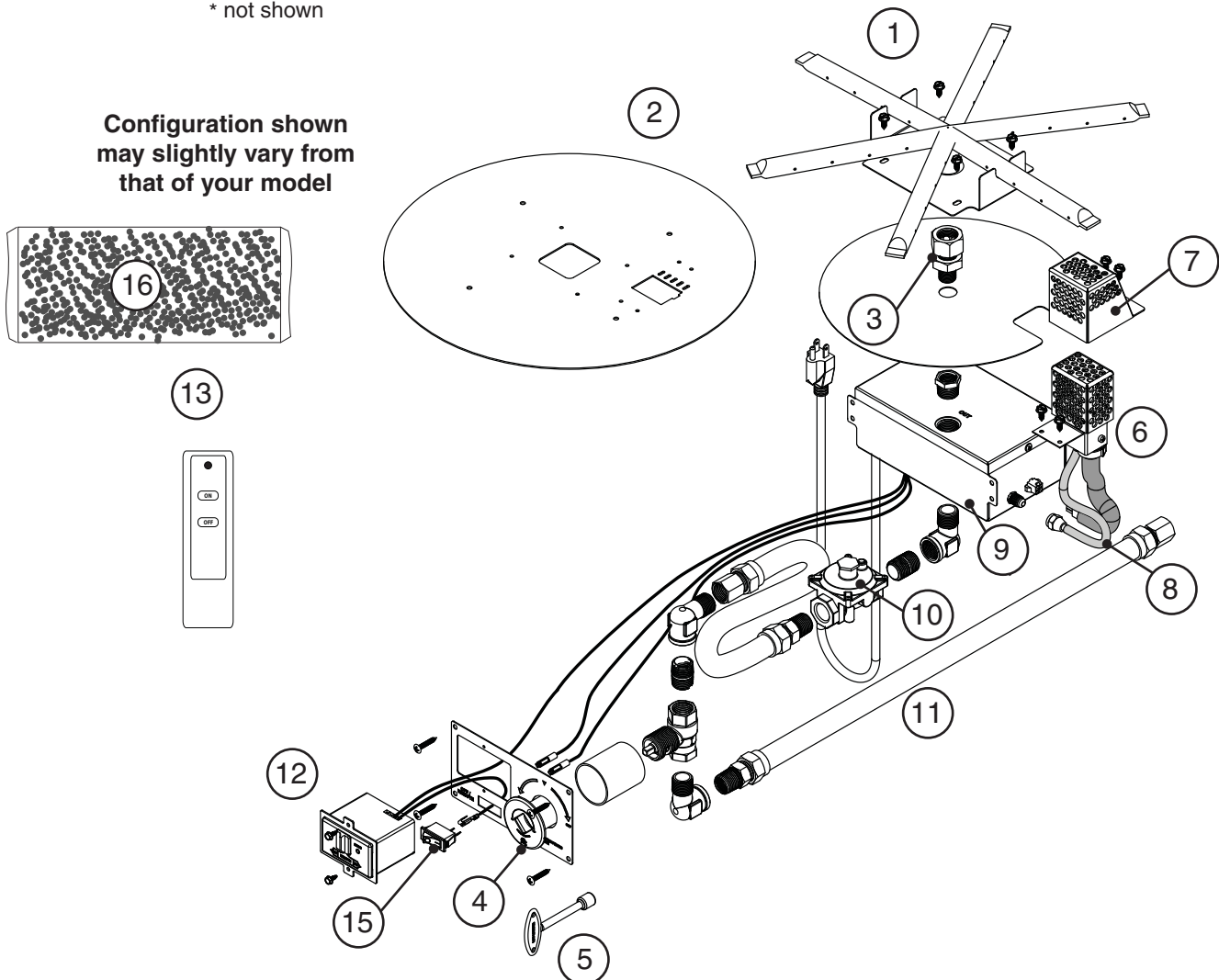
PARTS LIST (cont.)

COMMON REPLACEMENT PARTS LIST - F6 REMOTE MODELS

Item	Description	Part No.	Qty.
1.	16" star burner, only	OBS-16	1
2.	Round burner plate	OBP-12-06	1
3.	Orifice (Nat.) or Orifice (L.P.)	AB-3-A AM-3-28	1 1
4.	Key valve w/ key assembly	AV-30	1
5.	Key (only)	VK-1	1
6.	Pilot assembly (Nat.) or Pilot assembly (L.P.)	PAC-17 PAC-17P	1 1
7.	Pilot screen	OCBE-06-15	1
8.	Pilot gas line	PGS-1-10	1
9.	Valve box assembly	731-701	1
10.	Convertible regulator	PR-4	1
11.	Flex connector	3034-24	1
12.	Remote kit (includes receiver, transmitter, batteries, bracket)	RR-1A-BK	1
13.	Remote transmitter (only)	AT-R1-1	1
14.	Fuse *	24187-48	1
15.	Master switch	SW-11	1
16.	Lava granules	LF-10	1

* not shown

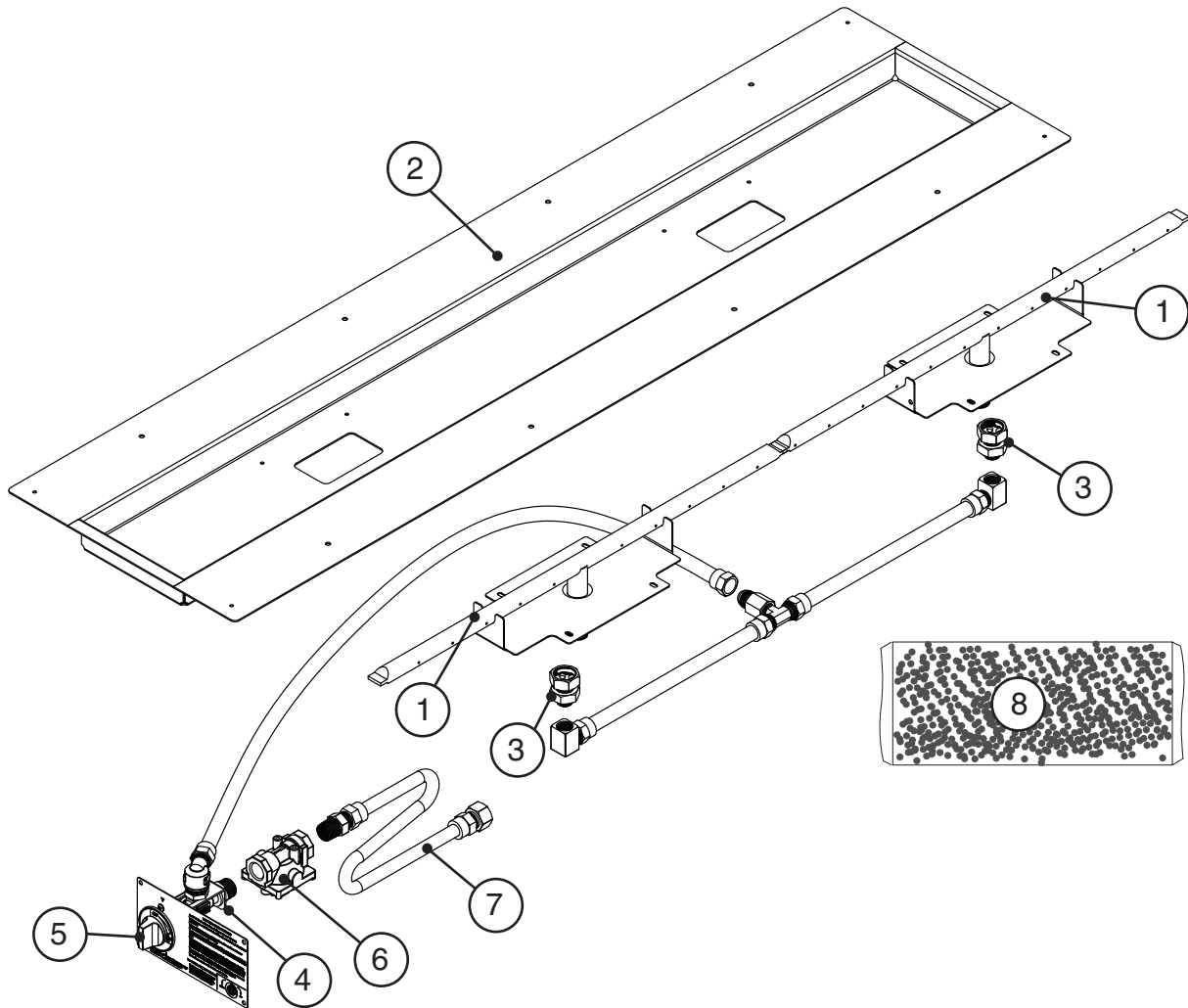
Configuration shown
may slightly vary from
that of your model



PARTS LIST (cont.)

COMMON REPLACEMENT PARTS LIST - V7/V8 MANUAL MODELS

Item	Description	Part No.	Qty.
1.	18" linear straight burner, only or 24" linear straight burner, only	OBT-18 OBL-24	2 2
2.	36" rectangular burner plate or 48" rectangular burner plate	BPR-36 BPR-48	1 1
3.	18" burner orifice (Nat.) or 18" burner orifice (L.P.) or 24" burner orifice (Nat.) or 24" burner orifice (L.P.)	AB-2-33 AM-2-50 AB-2-32 AM-2-51	2 2 2 2
4.	Control valve w/ knob assembly	AV-20	1
5.	Control knob (only)	KNOBS4	1
6.	Convertible regulator	PR-4	1
7.	Flex connector	CK-5-24SP	1
8.	Lava granules	LF-10	1

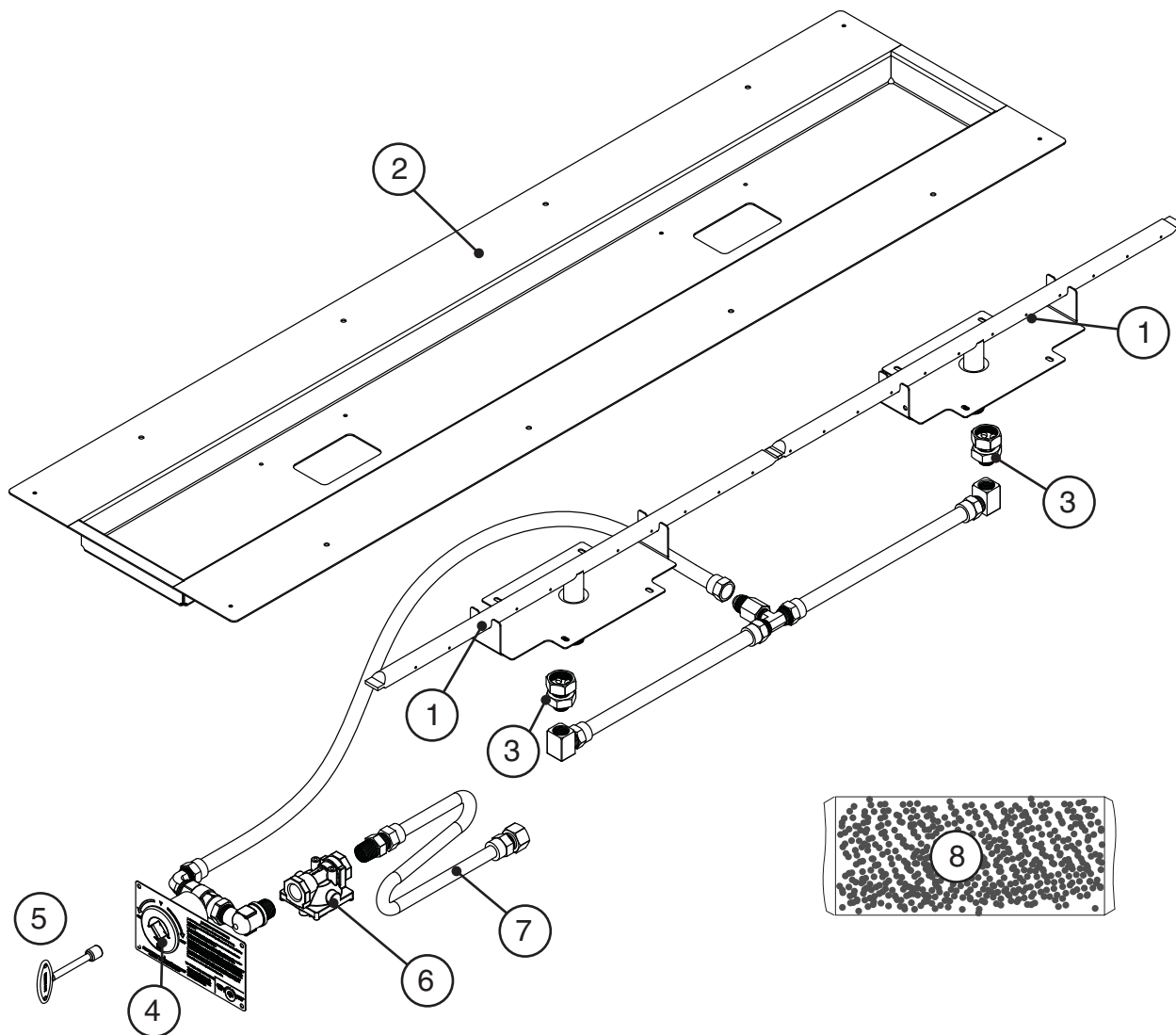


Configuration shown
may slightly vary from
that of your model

PARTS LIST (cont.)

COMMON REPLACEMENT PARTS LIST - K7/K8 MANUAL MODELS

Item	Description	Part No.	Qty.
1.	18" linear straight burner, only or 24" linear straight burner, only	OBT-18 OBL-24	2 2
2.	36" rectangular burner plate or 48" rectangular burner plate	BPR-36 BPR-48	1 1
3.	18" burner orifice (Nat.) or 18" burner orifice (L.P.) or 24" burner orifice (Nat.) or 24" burner orifice (L.P.)	AB-2-36 AM-2-50 AB-2-35 AM-2-51	2 2 2 2
4.	Key valve w/ key assembly	AV-30	1
5.	Key (only)	VK-1	1
6.	Convertible regulator	PR-4	1
7.	Flex connector	CK-5-24SP	1
8.	Lava granules	LF-10	1



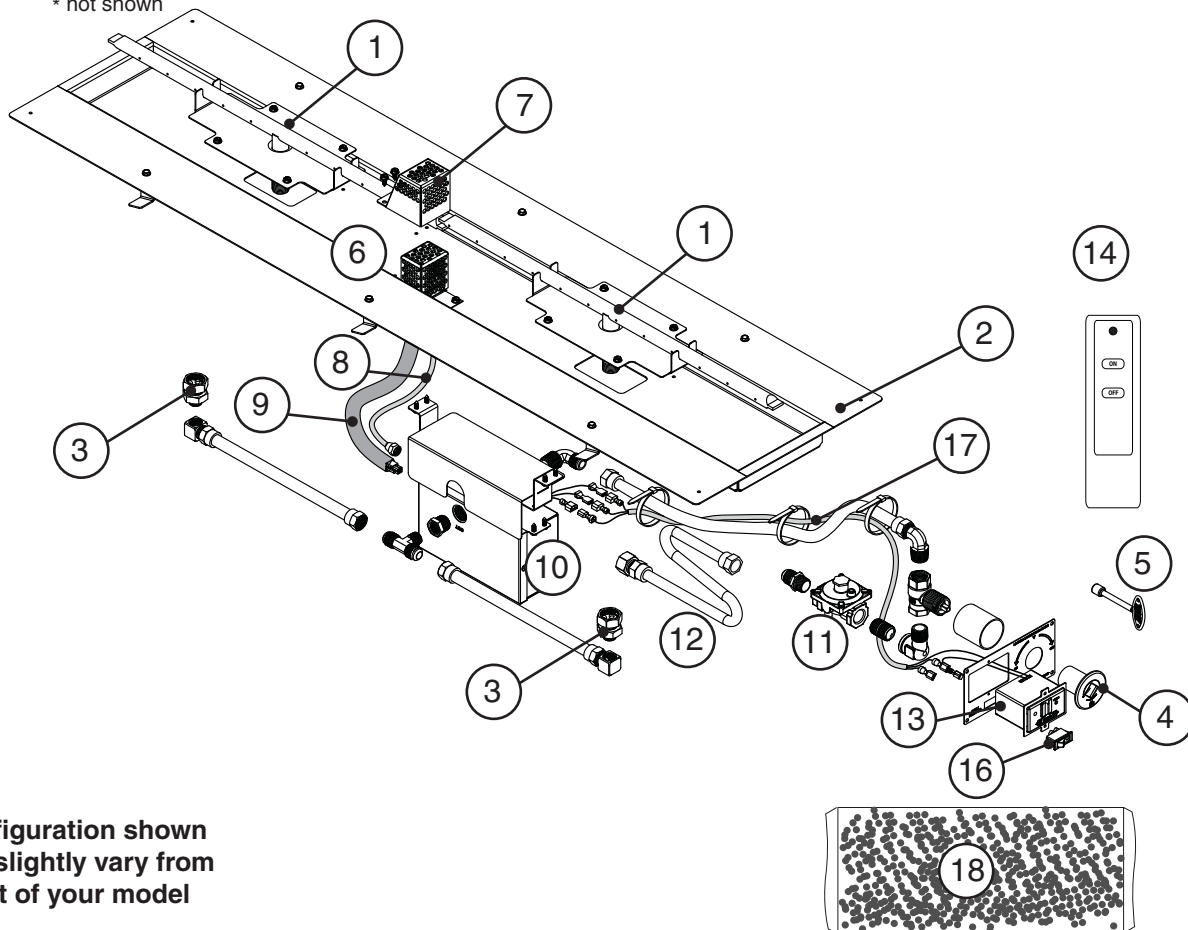
Configuration shown
may slightly vary from
that of your model

PARTS LIST (cont.)

COMMON REPLACEMENT PARTS LIST - F7/F8 REMOTE MODELS

Item	Description	Part No.	Qty.
1.	18" linear straight burner, only or 24" linear straight burner, only	OBT-18 OBL-24-213	2 2
2.	36" rectangular burner plate or 48" rectangular burner plate	BPR-36-06 213-101	1 1
3.	18" burner orifice (Nat.) or 18" burner orifice (L.P.) or 24" burner orifice (Nat.) or 24" burner orifice (L.P.)	3002-25 3002-46 AB-2-11 AM-2-44	2 2 2 2
4.	Key valve w/ key assembly	AV-30	1
5.	Key (only)	VK-1	1
6.	Pilot assembly	PAC-17	1
7.	Pilot screen	OCBE-06-15	1
8.	Pilot gas line	PGS-1	1
9.	Pilot wire extension	WH-07	1
10.	Valve box assembly	731-701	1
11.	Convertible regulator	PR-4	1
12.	Flex connector	CK-5-24SP	1
13.	Remote kit (includes receiver, transmitter, batteries, bracket)	RR-1A-BK	1
14.	Remote transmitter (only)	AT-R1-1	1
15.	Fuse *	24187-48	1
16.	Master switch	SW-11	1
17.	Controls wire extension	213-701	1
18.	Lava granules	LF-10	1

* not shown



Configuration shown
may slightly vary from
that of your model

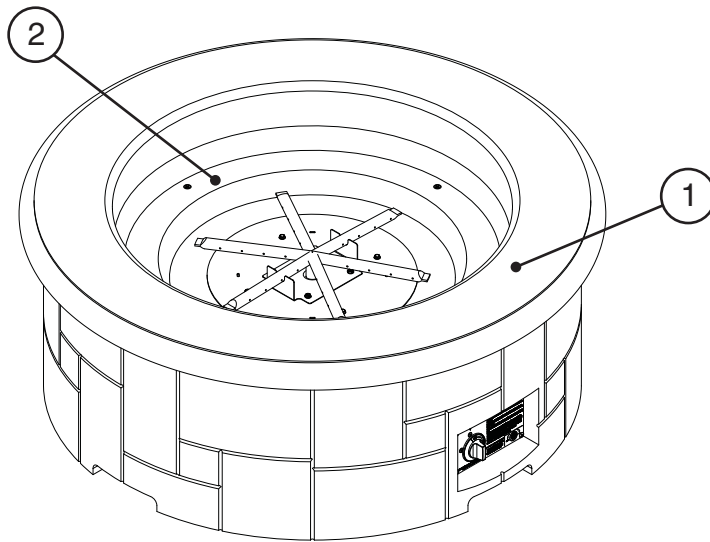
PARTS LIST (cont.)

IDENTIFICATION PARTS LIST

680, 681, 685

Item	Description	Qty.
1.	Base	1
2.	Refractory panel (reversible)	1

681
model
shown

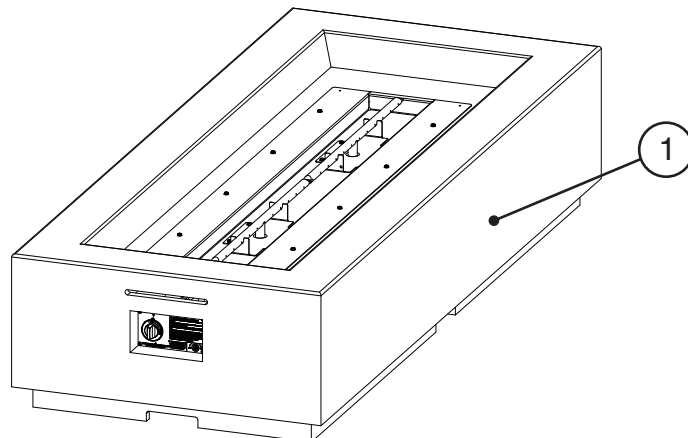


IDENTIFICATION PARTS LIST

686, 688, 689

Item	Description	Qty.
1.	Base	1

688
model
shown



IMPORTANT SAFETY INFORMATION

BE CAREFUL

If not installed and used correctly per these instructions, this product can cause serious injury.

CAUTION: Installation and maintenance must be done by an NFI Certified or other qualified professional service technician. Read these instructions before installing this unit. Be sure you understand all safety precautions and warnings contained in this manual.

A. FOR OUTDOOR USE ONLY.

B. When shutting the unit down—be sure to **TURN THE CONTROL VALVE FULLY OFF.**

C. WARNING: CARBON MONOXIDE POISONING MAY LEAD TO DEATH. DO NOT MODIFY THIS UNIT OR ITS CONTROLS, EXCEPT AS PROVIDED FOR IN THIS MANUAL. Any other change may be dangerous. Improper installation or use of the unit can cause serious injury or death from fire, burns, explosions, or carbon monoxide poisoning.

D. Check state and local codes to determine if the unit is permitted in your locality before installation.

E. Select models allow for an adjustable flame height. **THESE SETTINGS MUST ALWAYS BE HIGH ENOUGH FOR THE FLAME TO BE CLEARLY VISIBLE. WHEN LIGHTING THE UNIT, ALWAYS LIGHT ON HIGH.**

FIRE PIT INSTALLATION - COMMON

BEFORE YOU BEGIN

Important: Prior to installation ensure that all specifications, dimensions, and minimum clearances stated in this manual are observed. You must read all warnings and safety information, and understand all of the information in this manual. **All installation requirements must be observed and met.**

WARNING: Failure to position the parts in accordance with these diagrams or failure to use only parts specifically approved with this appliance may result in property damage or personal injury.

- Confirm the installation site accommodates the unit per the requirements in this manual.
- Be sure the gas supply (propane or natural) is turned off at its source.
- Remove all packing material (including any protective coatings) and discard prior to installation.

LOCATION

While following all requirements and safety information in this manual (see MINIMUM CLEARANCES section); determine and prepare the location of the unit (a hard and level surface).

Note: For fire pits, a combustible surface is permitted.

Important: The gas supply and electrical setup must be considered when determining the location of the unit. See GAS SUPPLY SETUP and ELECTRICAL SETUP section for details (as applicable).

**ASSEMBLY REQUIRES TWO OR MORE PEOPLE.
EXERCISE EXTREME CARE DURING ASSEMBLY AND INSTALLATION.**

GAS SUPPLY SETUP (if applicable)

For Natural or Household Propane Gas Supply:

The gas supply is to be brought up from beneath the unit near its center. Your individual installation may vary. **Observe the National Fuel Gas Code and all local codes.**

1. Route the gas supply into the area that the unit will rest over (see Fig. 21-1, A).

Note: The gas supply or another flex can also be routed through the side of the unit (through a ventilation opening at the floor).

Important: **Locate the gas supply line out of pathways where people may trip over it or in areas where the line may be subject to accidental damage (if applicable).**

Note: **A shut-off valve (not included) in the gas line is required.** It must be installed within 6 feet of unit. Use a pipe joint compound resistant to all gasses on all male fittings except flare fittings.

ELECTRICAL SETUP (if applicable - F models)

A 120VAC (15 AMP minimum) GFCI GROUNDED 3-wire receptacle (not included) is required within the vicinity of the fire pit to provide power to the unit. The GFCI receptacle must be a WEATHER-PROOF IN-USE COVERED RECEPTACLE. The unit's power supply cord is located on the rear of the valve box. Your individual installation may vary. **Observe the National Electric Code and all local codes.**

1. Wire the receptacle into the area that the unit will rest over (see Fig 21-1, B).
 - **Verify proper polarity of the receptacle.**
 - **If an extension cord is used, ensure it is a 3-wire GROUNDED cord that is rated for the power of the equipment, and is approved for outdoor use with a W-A marking. DO NOT use 2-prong adapters.**
 - **DO NOT TAMPER WITH THE EXTENSION CORD OR THE UNIT POWER-SUPPLY CORD.**

Installation continued on next page

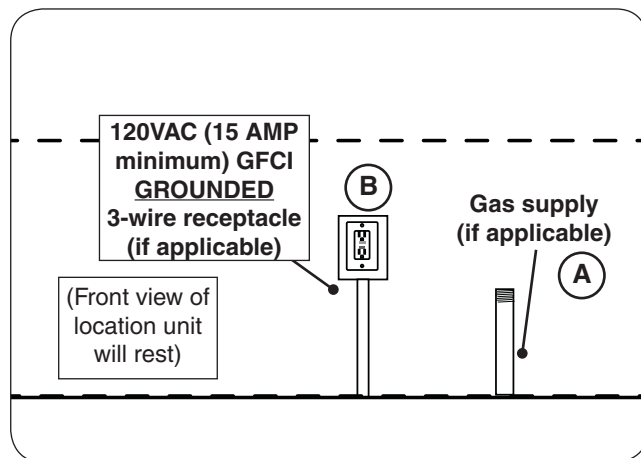


Fig. 21-1 Route gas and electrical (as applicable)

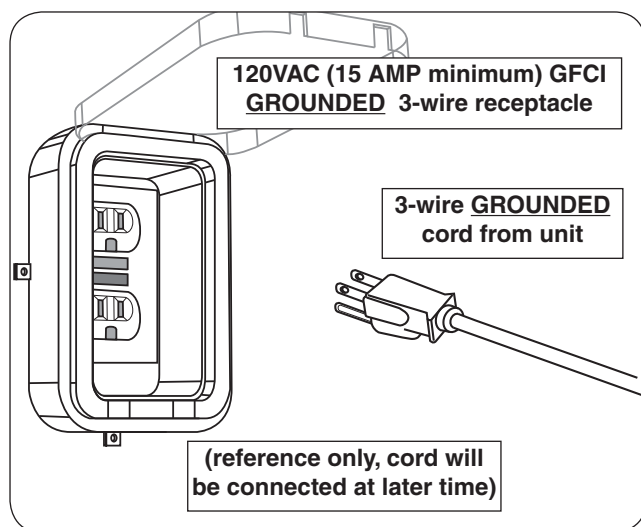


Fig. 21-2 Electrical setup detail

FIRE PIT INSTALLATION - DEFAULT/LOWER BURNER POSITION

THIS SECTION ADDRESSES INSTALLATION WITH THE BURNER IN THE DEFAULT/LOWER POSITION.

If preferred installation is a pit with raised burner, refer to the following FIRE PIT INSTALLATION - UPPER BURNER POSITION section.

PLACE UNIT AND REMOVE BURNER

1. **CAREFULLY** place the unit in an appropriate location (see Fig. 22-1, and refer back to the LOCATION section if needed).
2. Use a $\frac{5}{16}$ " nut driver to partially unfasten the four or eight screws found on the burner assembly. Then carefully remove the burner and set it off to the side. See Fig. 22-2.

Note: **DO NOT** completely remove the screws - to ensure the burner brackets (beneath) remain assembled. Remove with care to prevent damage to the electrical and/or gas connections.

Installation continued on next page

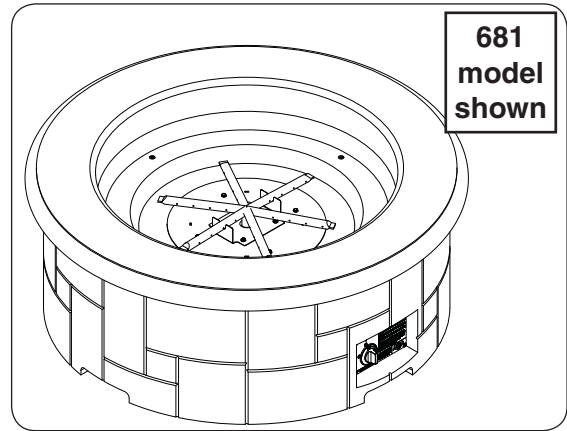


Fig. 22-1 Place unit

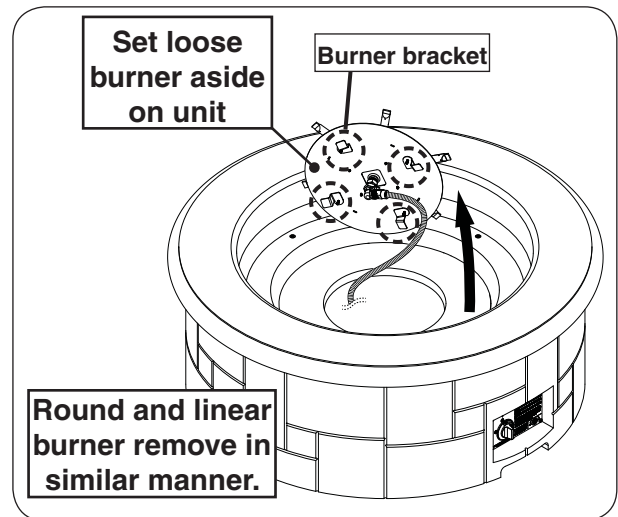


Fig. 22-2 Remove burner assembly

CONNECT GAS SUPPLY

Important: Before installation, be sure the gas supply (propane or natural) is turned off at its source.

Your unit is equipped with a flex connector that is to be routed to a gas supply appropriate for your setup. Additional gas components may be required. Consult a qualified professional service technician, and your local dealer. Follow the guidelines below.

To Connect To a Propane Cylinder:

1. The unit does not accommodate propane cylinders. A cylinder must be located in a safe location, within reach of the unit connections. Observe the National Fuel Gas Code and all local codes. An appropriate hose assembly must be purchased separately. **F models require a 2-stage regulator hose assembly (min. BTU capacity 150k).**

Tank tables and propane extension hoses are available from American Fyre Designs. Contact your local dealer for ordering information.

2. Connect the hose assembly (not included) to the flex connector (marked IN) that is coming off the valve assembly.

Note: Your individual installation may vary. Apply only joint compounds that are resistant to all gasses on all male pipe fittings. Make sure to tighten every joint securely. Do not use pipe joint compound to connect flare fittings.

3. Attach the regulator end of the hose assembly to a propane cylinder (not included) and tighten (see Fig. 23-1).

Installation continued on next page

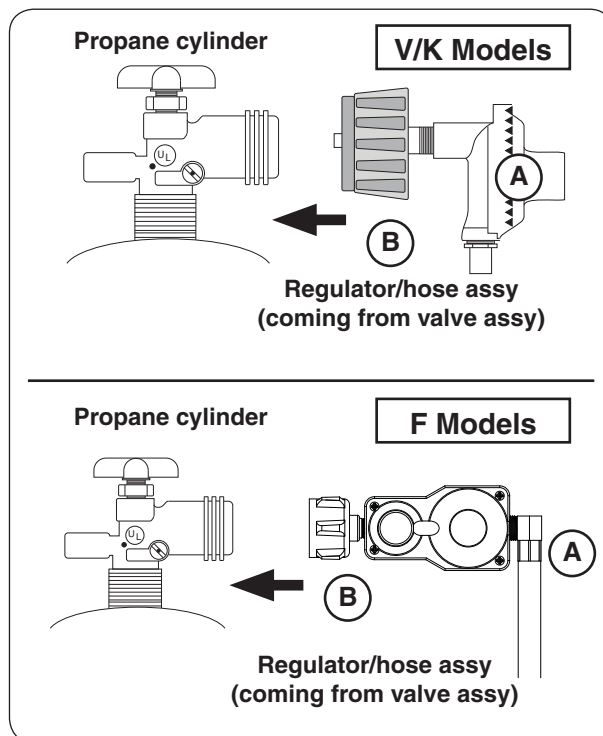


Fig. 23-1 Connecting to an L.P. cylinder

To Connect To a Natural or Household Propane Gas Supply:

1. Locate the flex connector (marked IN) that is coming off the valve assembly.
2. Locate the gas supply that is beneath or beside the unit (previously routed at beginning of installation).
3. A shut-off valve is required within 6 feet of the unit.

If shut-off valve is connected to end of gas supply stub:

- Connect the flex connector to the shut-off valve (see Fig. 24-1). Tighten securely.

If shut-off valve is installed in-line:

- Install the supplied flare adapter to the gas supply using a pipe joint compound resistant to all gasses (see Fig. 24-1). Tighten securely.
- Connect the flex connector to the flare adapter (see Fig. 24-1). Tighten securely.

LEAK TEST

Turn on the gas supply and test at all connections for leaks using a soapy water solution. If bubbles appear, a leak is present. Turn off the gas and tighten at all connections. Repeat until no leaks are present. If a leak persists, turn off the gas supply and contact the local gas company or dealer. **NEVER USE A FLAME TO CHECK FOR LEAKS.**

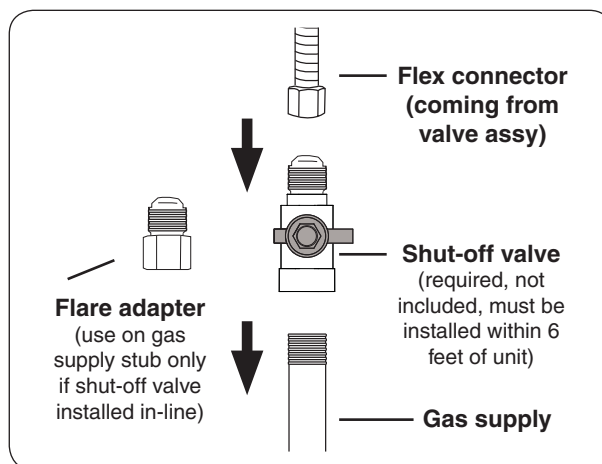


Fig. 24-1 Connecting to a gas line

FIRE PIT INSTALLATION - DEFAULT/LOWER BURNER POSITION (cont.)

CONNECT POWER SUPPLY CORD (if applicable - F models)

Route the power supply cord (coming from valve box) to the previously wired **120VAC (15 AMP minimum) GFCI GROUNDED 3-wire receptacle** and connect (see Fig. 25-1).

INSTALL BATTERIES (if applicable - F models)

At this stage the burner system batteries are to be installed. Reference the **SERVICING AND CLEANING - BATTERY INSTALLATION/REPLACEMENT** section for details.

REINSTALL BURNER ASSEMBLY

1. Ensure that the four or eight burner brackets are turned inward, then insert the burner assembly (see Fig. 25-2, A-B).

Important: Ensure the electrical and/or gas connections are clear, undamaged, and completely inserted into the opening. DO NOT pinch the wires.

2. Use a $\frac{5}{16}$ " nut driver to fasten the burner to the base (see Fig. 25-3).

LIGHTING TEST

Prior to proceeding with installation, perform a lighting test (see lighting instructions for lighting your burner). **Allow the unit to completely cool after testing.**

Proceed to DECORATIVE MEDIA PLACEMENT section.

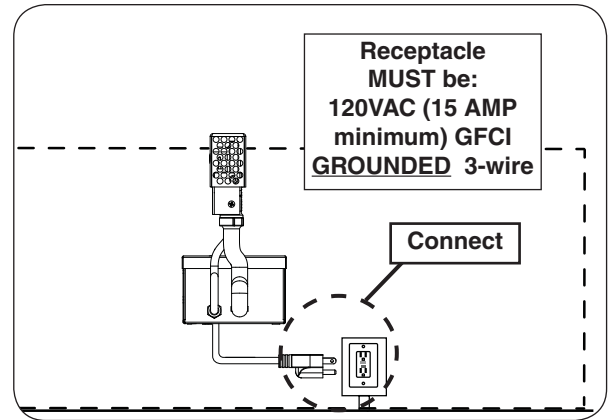


Fig. 25-1 Route and connect power supply cord

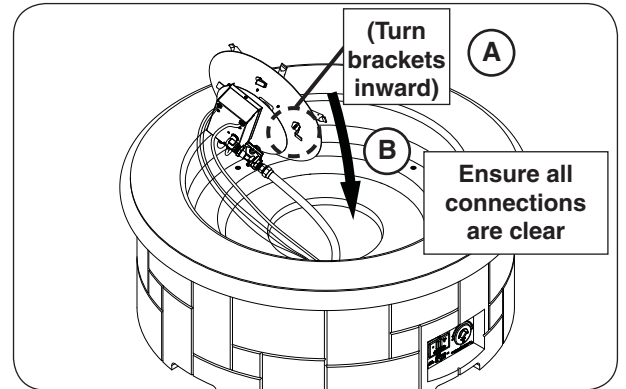


Fig. 25-2 Insert burner assembly

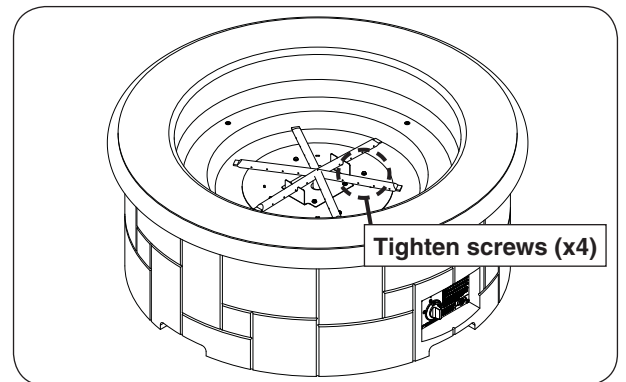


Fig. 25-3 Install burner

FIRE PIT INSTALLATION - UPPER BURNER POSITION (IF APPLICABLE)

THIS SECTION ADDRESSES INSTALLATION WITH THE BURNER IN THE UPPER POSITION. (680, 681, 685 models only)

If preferred installation is a pit with burner in lower position, refer to the previous FIRE PIT INSTALLATION - DEFAULT/LOWER BURNER POSITION section.

PLACE UNIT AND REMOVE BURNER

1. **CAREFULLY** place unit in an appropriate location (see Fig. 26-1, and refer back to the LOCATION section if needed).
2. Use a $\frac{5}{16}$ " nut driver to partially unfasten the four screws found on the burner assembly. Then carefully remove the burner and set it off to the side. See Fig. 26-2.

Note: **DO NOT** completely remove the screws - to ensure the burner brackets (beneath) remain assembled. Remove with care to prevent damage to the electrical and/or gas connections.

3. Disconnect flex connector attached to the burner assembly (see Fig. 26-3). Store the burner in a safe location.

Installation continued on next page

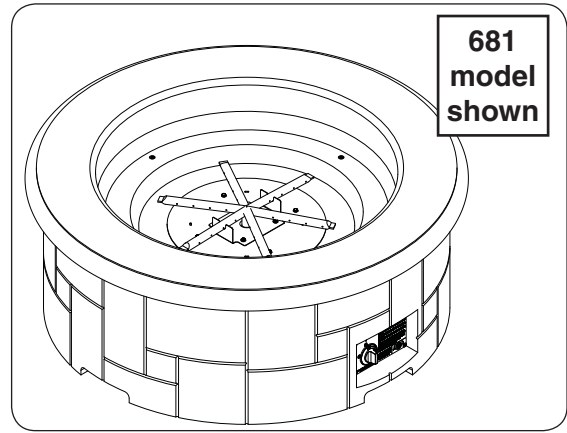


Fig. 26-1 Place unit

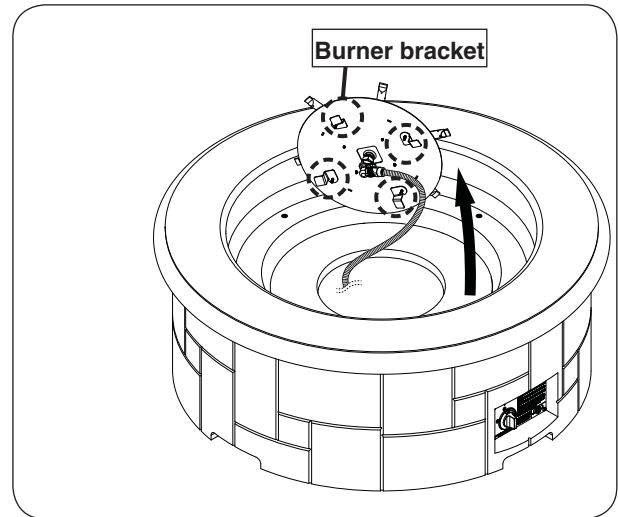


Fig. 26-2 Remove burner assembly

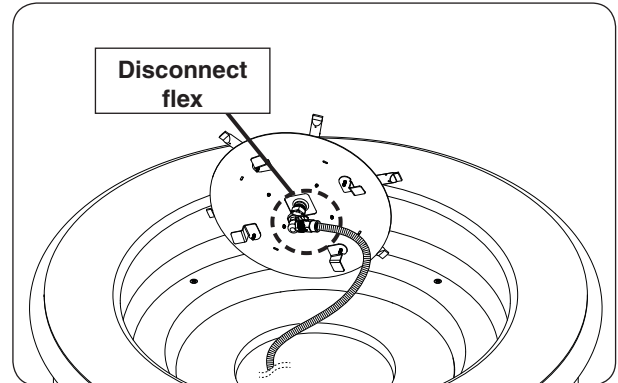


Fig. 26-3 Disconnect flex connector

FIRE PIT INSTALLATION - UPPER BURNER POSITION (cont.)

REMOVE REMOTE RECEIVER (if applicable - F models)

1. Use a 1/4" nut driver to unfasten the remote receiver bracket assembly found on the control panel (2 screws). Then carefully remove the assembly. See Fig. 27-1.
2. Locate the 3 wires that are connected to the remote receiver and master switch. Disconnect them as follows:
 - Disconnect the yellow and blue wires (with connectors) from the rear of the master switch (see Fig. 27-2, A).
 - Disconnect the black stripped wire from the rear of the remote receiver (see Fig. 27-2, B). Use a small Phillips screwdriver.

REVERSE REFRACTORY PANEL POSITION

1. Remove the 4 concrete screws from the refractory panel (see Fig. 27-4).
2. Flip the refractory panel and align the pilot holes. Re-install the 4 concrete screws (see Fig. 27-5).

Installation continued on next page

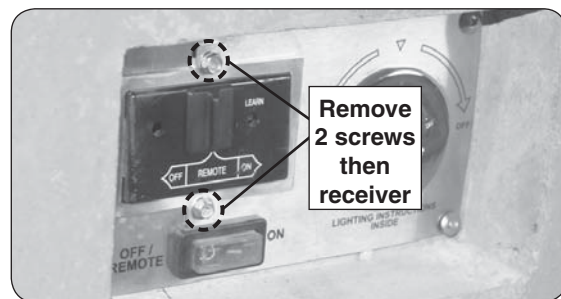


Fig. 27-1 Remove remote receiver assembly

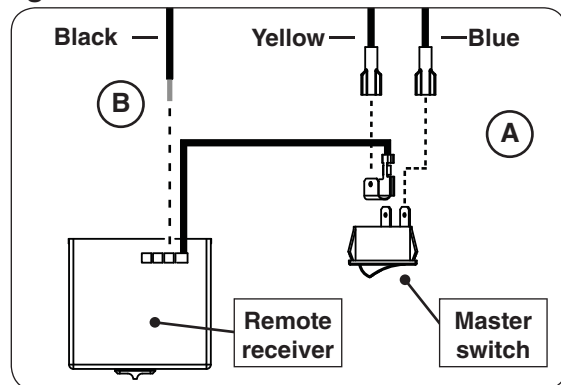


Fig. 27-2 Disconnect receiver & switch wires

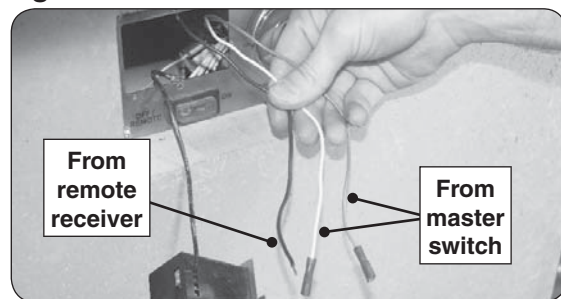


Fig. 27-3 3 wires disconnected

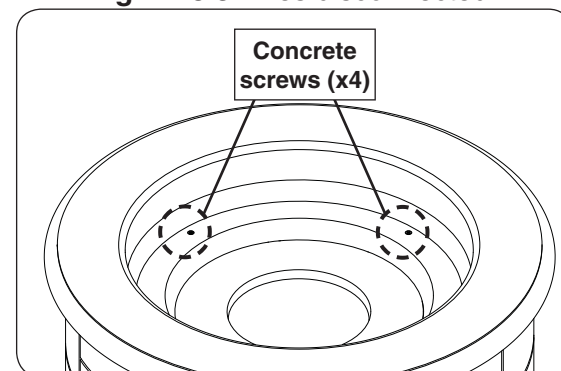


Fig. 27-4 Remove concrete screws

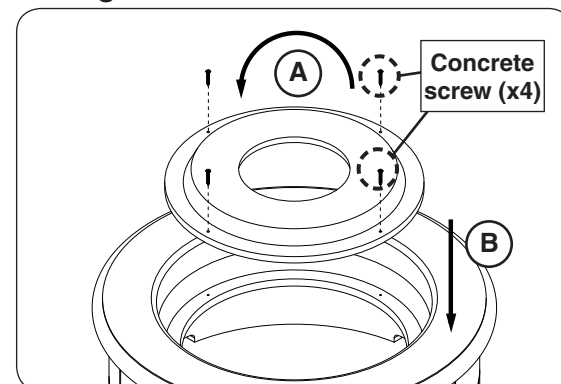


Fig. 27-5 Flip and install refractory panel

FIRE PIT INSTALLATION - UPPER BURNER POSITION (cont.)

REINSTALL REMOTE RECEIVER (if applicable - F models)

1. Locate the 3 exposed wires and connect to the remote receiver and master switch (see Fig. 28-1 and Fig. 28-2).
2. At this stage the burner system batteries are to be installed. Reference the **SERVICING AND CLEANING - BATTERY INSTALLATION/REPLACEMENT** section for details.
3. Reinstall the remote receiver bracket assembly (see Fig. 28-3).

CONNECT FLEX TO BURNER

1. Reconnect flex line coming from the valve to the burner assembly (see Fig. 28-4).

Installation continued on next page

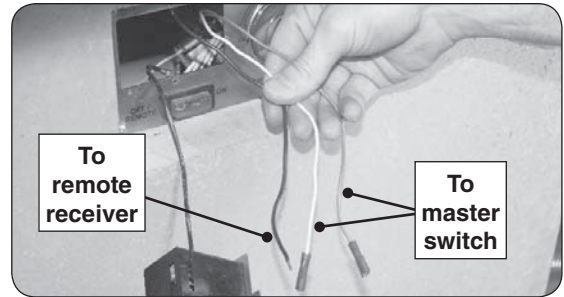


Fig. 28-1 Locate 3 exposed wires

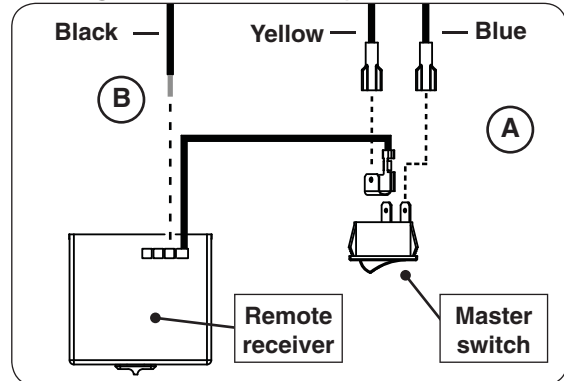


Fig. 28-2 Reconnect receiver & switch wires

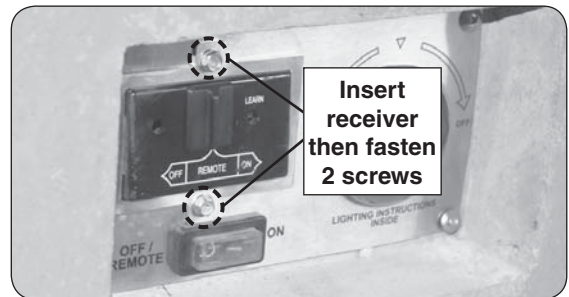


Fig. 28-3 Reinstall remote receiver assembly

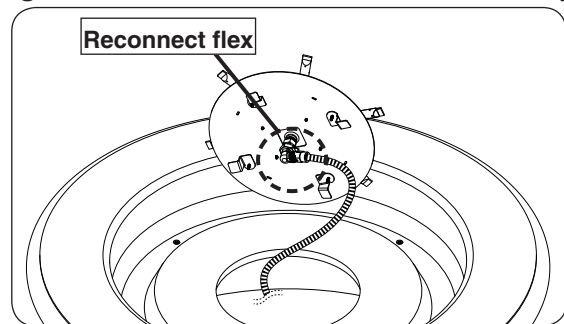


Fig. 28-4 Reconnect flex connector

CONNECT GAS SUPPLY

Important: Before installation, be sure the gas supply (propane or natural) is turned off at its source.

Your unit is equipped with a flex connector that is to be routed to a gas supply appropriate for your setup. Additional gas components may be required. Consult a qualified professional service technician, and your local dealer. Follow the guidelines below.

To Connect To a Propane Cylinder:

1. The unit does not accommodate propane cylinders. A cylinder must be located in a safe location, within reach of the unit connections. Observe the National Fuel Gas Code and all local codes. An appropriate hose assembly must be purchased separately. **F models require a 2-stage regulator hose assembly (min. BTU capacity 150k).**

Tank tables and propane extension hoses are available from American Fyre Designs. Contact your local dealer for ordering information.

2. Connect the hose assembly (not included) to the flex connector (marked IN) that is coming off the valve assembly.

Note: Your individual installation may vary. Apply only joint compounds that are resistant to all gasses on all male pipe fittings. Make sure to tighten every joint securely. Do not use pipe joint compound to connect flare fittings.

3. Attach the regulator end of the hose assembly to a propane cylinder (not included) and tighten (see Fig. 29-1).

Installation continued on next page

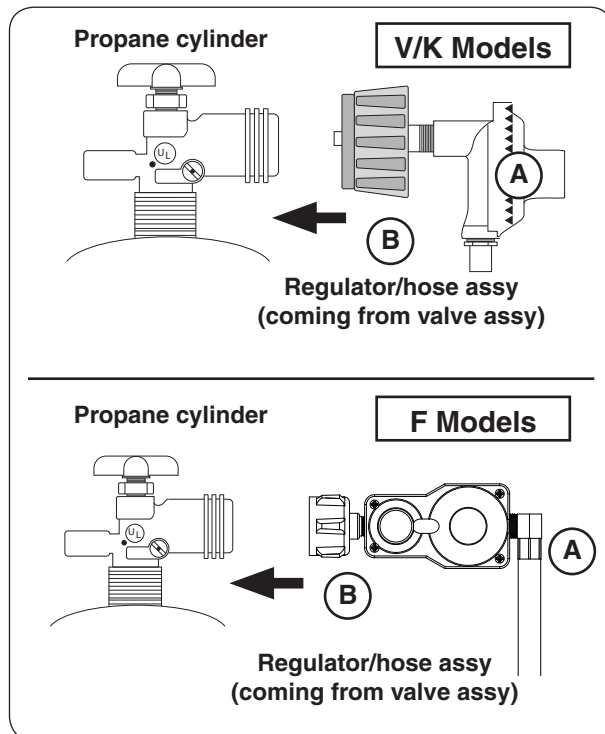


Fig. 29-1 Connecting to an L.P. cylinder

To Connect To a Natural or Household Propane Gas Supply:

1. Locate the flex connector (marked IN) that is coming off the valve assembly.
2. Locate the gas supply that is beneath or beside the unit (previously routed at beginning of installation).
3. A shut-off valve is required within 6 feet of the unit.

If shut-off valve is connected to end of gas supply stub:

- Connect the flex connector to the shut-off valve (see Fig. 30-1). Tighten securely.

If shut-off valve is installed in-line:

- Install the supplied flare adapter to the gas supply using a pipe joint compound resistant to all gasses (see Fig. 30-1). Tighten securely.
- Connect the flex connector to the flare adapter (see Fig. 30-1). Tighten securely.

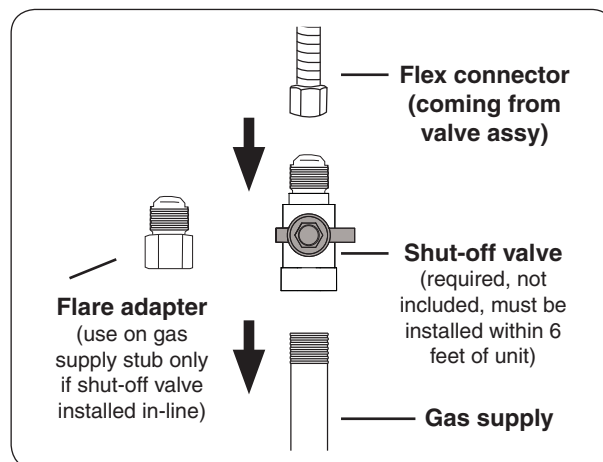


Fig. 30-1 Connecting to a gas line

LEAK TEST

Turn on the gas supply and test at all connections for leaks using a soapy water solution. If bubbles appear, a leak is present. Turn off the gas and tighten at all connections. Repeat until no leaks are present. If a leak persists, turn off the gas supply and contact the local gas company or dealer. **NEVER USE A FLAME TO CHECK FOR LEAKS.**

FIRE PIT INSTALLATION - UPPER BURNER POSITION (cont.)

CONNECT POWER SUPPLY CORD (if applicable - F models)

Route the power supply cord (coming from valve box) to the previously wired **120VAC (15 AMP minimum) GFCI GROUNDED 3-wire receptacle** and connect (see Fig.31-1).

REINSTALL BURNER ASSEMBLY

1. Ensure that the four burner brackets are turned inward, then insert the burner assembly (see Fig. 31-2, A-B).

Important: Ensure the electrical and/or gas connections are clear, undamaged, and completely inserted into the opening. DO NOT pinch the wires.

2. Use a $\frac{5}{16}$ " nut driver to fasten the burner to the base (see Fig. 31-3).

LIGHTING TEST

Prior to proceeding with installation, perform a lighting test (see lighting instructions for lighting your burner). **Allow the unit to completely cool after testing.**

Proceed to **DECORATIVE MEDIA PLACEMENT** section.

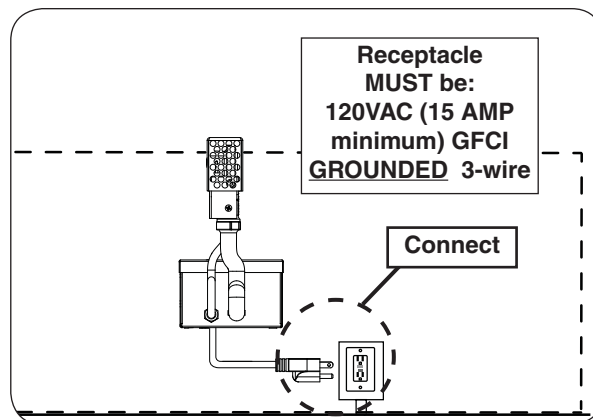


Fig. 31-1 Route and connect power supply cord

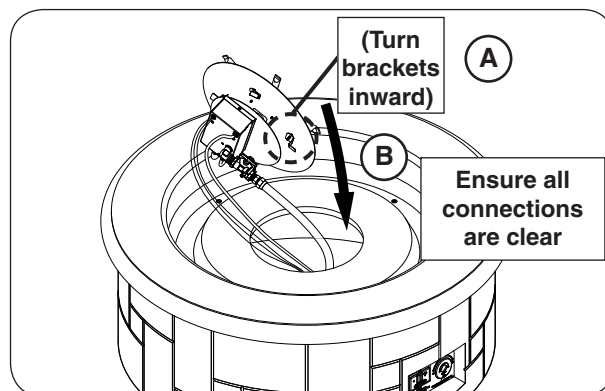


Fig. 31-2 Insert burner assembly

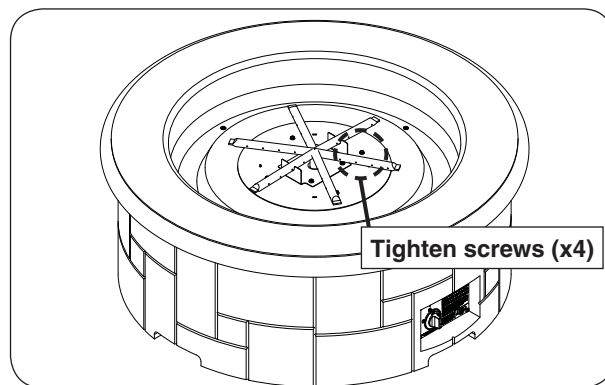


Fig. 31-3 Install burner

DECORATIVE MEDIA PLACEMENT

WARNING: Failure to position the parts in accordance with these diagrams or failure to use only parts specifically approved with this appliance may result in property damage or personal injury.

CAUTION: Be sure the unit and the decorative media are completely cool anytime the media is handled. **Wear gloves** whenever installing and handling as certain media may have sharp edges that can cause personal injury.

Important: If applicable, keep the pilot screen clear of decorative media and any other items / debris at all times. This will allow for proper ignition and operation. **DO NOT** cover.

REQUIRED BASE MEDIA (SUPPLIED)

1. Pour the 10 lb bag of lava granules into the burner area (with the exception of the screen - if applicable). Spread the granules within the burner area as shown in Fig. 32-1 and Fig. 32-2. **Only fill the granules up to the top of the burner tube.**
2. Proceed to the following section to complete media placement.

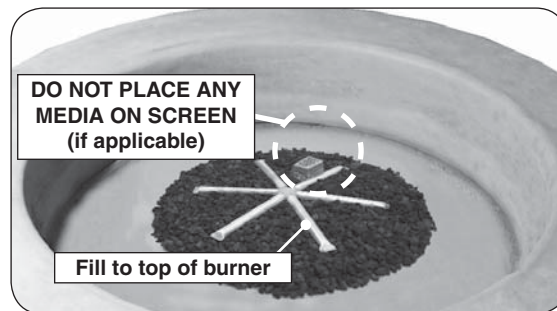


Fig. 32-1 Place lava granules

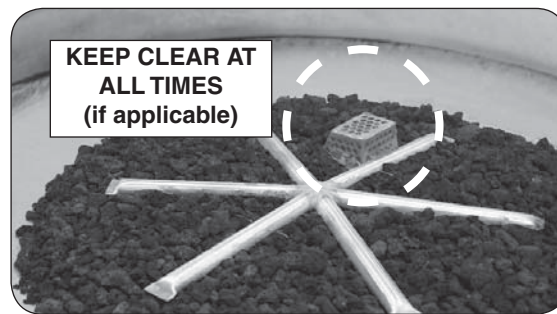


Fig. 32-2 Screen detail (if applicable)

PRIMARY AND SECONDARY MEDIA OPTIONS

Additional decorative media **MUST** then be placed to cover the burner. The decorative media is purchased and packaged separately. Contact your local American Fyre Designs dealer for ordering information. Locate the following section(s) that apply to your option(s) chosen and install accordingly.

The included lava granules, and one of the primary media options (lava or glass) are required for safe operation and proper performance. Place first. All other media is optional.

Reference the SPECIFICATIONS AND DIMENSIONS section for details on the recommended amounts of media.

Lava Media

After the required base **lava granules** have been placed, pour the **additional** lava granules or lava coals evenly into the burner area (with the exception of the screen - if applicable). The lava should be 1-2" above the burner. See Fig. 33-1.

Important: DO NOT exceed a height of 2" above the burner when placing lava media. Ensure no media covers the screen (if applicable). Store any excess media in a safe location.

Volcanic Stones

1. Volcanic stones first require **lava media** to completely fill the burner area. See previous REQUIRED BASE MEDIA and LAVA MEDIA sections to place the lava, then proceed to step 2.
2. Pour the volcanic stones evenly into the burner area (see Fig. 33-2). The stones may form a mound. **Store any excess media in a safe location.**

Log Sets

Log sets first require **lava media** to completely fill the burner area. See previous REQUIRED BASE MEDIA and LAVA MEDIA sections to place the lava, then follow the instructions included with your log set chosen for step by step log placement.

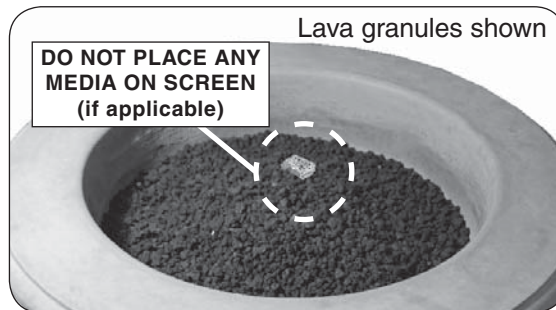


Fig. 33-1 Lava media option

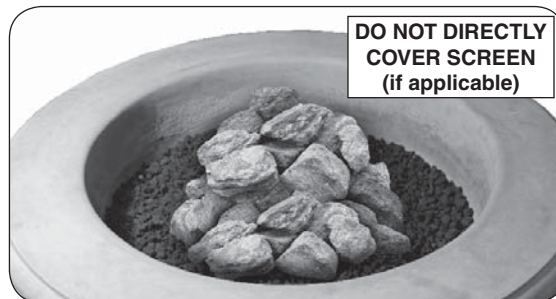


Fig. 33-2 Volcanic stones option



Fig. 33-3 Log set option - PRO-27



Fig. 33-4 Log set option - OCL-34



Fig. 33-5 Log set option - OCBW-34

Glass Media

After the required base **lava granules** have been placed, pour the glass media (glass, gems) evenly into the burner area (see Fig. 34-1). The glass should be 1-2" above the burner.

Important: DO NOT place any glass media on the screen (if applicable). Ensure no existing lava granules are covering the screen.

DO NOT exceed a height of 2" above the burner when placing glass media. Store any excess media in a safe location.

Additional Secondary Options

After the required base lava granules and additional lava or glass media have been placed, various river stone, creekstone, geo shape, wood chunk, and glass nugget options are available. If one of these secondary options are purchased, place them as desired in a decorative pattern on top of the primary media. See Fig. 34-2 for an example.

Note: These options are not designed to be placed directly on the burner.

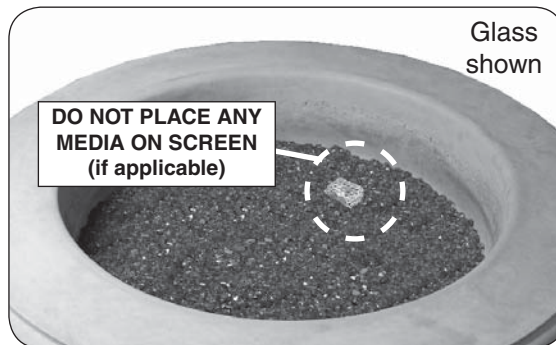


Fig. 34-1 Glass option

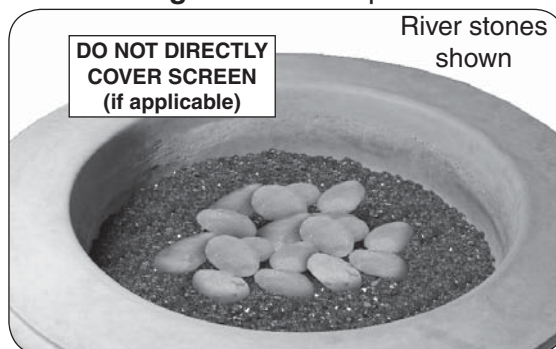


Fig. 34-2 Secondary options

OPTIONAL FABRIC COVER

An optional fabric cover is available to protect your unit when not in use (select models). Contact your local dealer for ordering information.

To install, allow the unit to cool completely, open the pull-tie on the cover, then place the cover over the unit with the American Fyre Designs logo facing upward. Close the pull-tie on the cover. See Fig. 35-1.

Follow all instructions provided with the fabric cover.

Note: Certain decorative media (such as river stones, logs, etc.) may interfere with the proper placement of the cover. They will need to be removed and stored in a safe location when the cover is in use.

Remove cover before use.



Fig. 35-1 Fabric cover

Please use this page to record any information that you may want to have at hand.

LIGHTING INSTRUCTIONS - CONTROL KNOB MODELS

FOR YOUR SAFETY, READ BEFORE LIGHTING

WARNING: IF YOU DO NOT FOLLOW THESE INSTRUCTIONS EXACTLY, A FIRE OR EXPLOSION MAY RESULT, CAUSING PROPERTY DAMAGE, PERSONAL INJURY, OR LOSS OF LIFE.

- A. BEFORE LIGHTING**, smell all around the unit area for gas. Be sure to smell next to the floor, because some gas is heavier than air and will settle on the floor.
- B. WHAT TO DO IF YOU SMELL GAS**
 1. Shut off the gas to the appliance.
 2. Extinguish any open flame.
 3. If odor continues, immediately call your gas supplier or the fire department.
- C.** Use only your hand to push in or turn the gas control knob. Never use tools. If the knob will not push in or turn by hand, **DO NOT** try to repair it. Call a qualified professional service technician. Force or attempted repair may result in fire or explosion.

1. **STOP!** Read the safety information above.
2. Ensure the gas control knob is in the **OFF** position before beginning lighting sequence.
3. Lay a lighted match on the surface of the decorative media near the burner (**do not hold the match in your hand**) (Fig. 37-1).
4. **Once the match is burning and in position**, depress the gas control knob and turn it counter-clockwise to the **HI LIGHT** position (see Fig. 37-2). Your burner should light.

WARNING: If the burner does not light within five (5) seconds of turning the control knob, immediately depress the control knob and turn clockwise to the **OFF** position.

Wait approximately five (5) minutes to clear out any gas, and repeat steps 3-4 above.

If your burner fails to light again, depress the control knob and turn clockwise to the OFF position and contact your dealer or gas supplier.

Note: The flame height can be adjusted via the control knob.

TO SHUT OFF GAS TO THE APPLIANCE

To extinguish your gas burner, depress the gas control knob and turn it clockwise to the **OFF** position (see Fig. 37-2). Be sure the control knob is turned fully off to avoid any gas leakage.

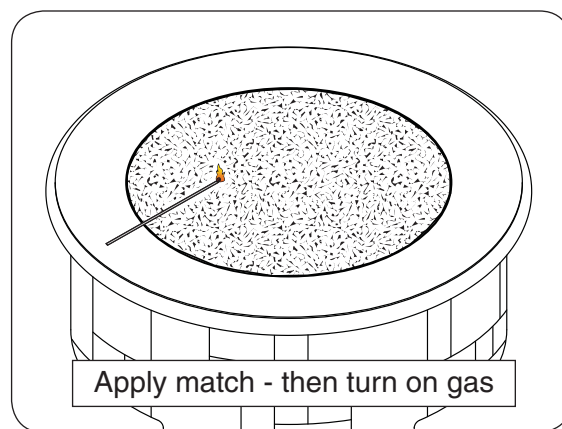


Fig. 37-1

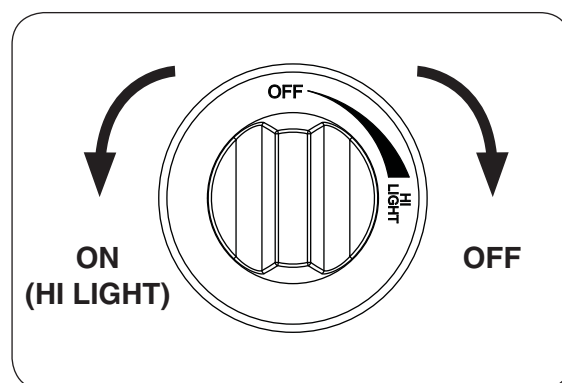


Fig. 37-2

INSTRUCTIONS D'ALLUMAGE - MODÈLES DE BOUTONS DE CONTRÔLE

POUR VOTRE SÉCURITÉ, LIRE AVANT D'ALLUMER

AVERTISSEMENT: SI VOUS NE SUIVEZ PAS CES INSTRUCTIONS À LA LETTRE, UN INCENDIE OU UNE EXPLOSION POURRAIENT S'ENSUIVRE, CAUSANT DES DOMMAGES MATÉRIELS, DES BLESSURES OU DES PERTES DE VIE.

- A. AVANT D'ALLUMER**, sentez tout autour de l'unité de surface pour le gaz. Assurez-vous de sentir près du plancher, car certains gaz sont plus lourds que l'air et se déposent sur le sol.
- B. QUE FAIRE SI UNE ODEUR DE GAZ**
1. Coupez le gaz à l'appareil.
 2. Éteindre toute flamme nue.
 3. Si l'odeur persiste, appelez immédiatement votre fournisseur de gaz ou le service des incendies.
- C.** N'utilisez que votre main pour enfoncer ou tourner le bouton de contrôle du gaz. Ne jamais utiliser d'outils. Si le bouton ne sera pas enfoncer ou à tourner à la main, NE PAS essayer de le réparer. Appelez un technicien de service qualifié. Force ou une tentative de réparation pourrait provoquer un incendie ou une explosion.

1. **ARRÊT!** Lire les consignes de sécurité ci-dessus.
2. S'assurer que le bouton de contrôle du gaz est en position **OFF (éteindre)** avant de séquence d'éclairage à partir la position.
3. Poser une allumette allumée sur la surface du support décoratif près du brûleur (**ne pas tenir l'allumette dans la main**) (Fig. 38-1).
4. **Une fois que le match est en feu et en position**, appuyer sur le bouton de contrôle du gaz et tournez dans le sens antihoraire à la position de **HI LIGHT (allumer)** (voir Fig. 38-2). Votre brûleur devrait s'allumer.

AVERTISSEMENT: Si le brûleur ne se allume pas la lumière dans les cinq (5) secondes de tourner le bouton de commande, appuyez immédiatement sur le bouton de commande et tournez dans le sens horaire à la position **OFF (éteindre)**.

Attendez environ cinq (5) minutes pour laisser échapper tout le gaz, et répétez les étapes 3-4 ci-dessus.

Si votre brûleur ne s'allume pas, appuyer sur le bouton de commande et tournez dans le sens horaire à la position OFF (éteindre) et contactez votre revendeur ou fournisseur de gaz.

Note: La hauteur des flammes peut être réglée via le bouton de commande.

POUR ARRÊTER LE GAZ À L'APPAREIL

Pour éteindre le brûleur à gaz, appuyer sur le bouton de contrôle du gaz et tournez dans le sens horaire à la position **OFF (éteindre)** (voir Fig. 38-2). Assurez-vous que le bouton de commande est tourné complètement hors tension pour éviter toute fuite de gaz.

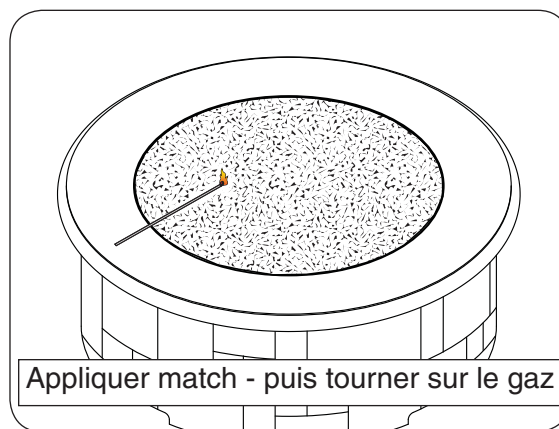


Fig. 38-1

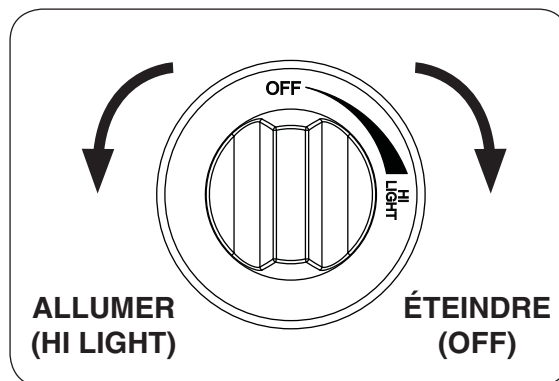


Fig. 38-2

LIGHTING INSTRUCTIONS - KEY VALVE MODELS

FOR YOUR SAFETY, READ BEFORE LIGHTING

WARNING: IF YOU DO NOT FOLLOW THESE INSTRUCTIONS EXACTLY, A FIRE OR EXPLOSION MAY RESULT, CAUSING PROPERTY DAMAGE, PERSONAL INJURY, OR LOSS OF LIFE.

- A. BEFORE LIGHTING**, smell all around the unit area for gas. Be sure to smell next to the floor, because some gas is heavier than air and will settle on the floor.
- B. WHAT TO DO IF YOU SMELL GAS**
 - 1. Shut off the gas to the appliance.
 - 2. Extinguish any open flame.
 - 3. If odor continues, immediately call your gas supplier or the fire department.
- C.** Use only a proper key to turn the gas line valve. Never use tools. If the valve will not turn, **DO NOT** try to repair it. Call a qualified professional service technician. Force or attempted repair may result in fire or explosion.

- 1. **STOP!** Read the safety information above.
- 2. Ensure the key valve is completely in the **OFF** position before beginning lighting sequence.
- 3. Lay a lighted match on the surface of the decorative media near the burner (**do not hold the match in your hand**) (Fig. 39-1).
- 4. **Once the match is burning and in position**, turn the key valve counter-clockwise a $\frac{1}{4}$ turn to the **ON** position (see Fig. 39-2). Your burner should light.

WARNING: If the burner does not light within (5) seconds of turning on the key valve, immediately turn the key valve clockwise a $\frac{1}{4}$ turn to the **OFF** position.

Wait approximately five (5) minutes to clear out any gas, and repeat steps 3-4 above.

If your burner fails to light again, turn the key valve clockwise a $\frac{1}{4}$ turn to the OFF position and contact your dealer or gas supplier.

Note: The flame height can be adjusted via the key valve.

TO SHUT OFF GAS TO THE APPLIANCE

To extinguish your gas burner, turn the key valve clockwise a $\frac{1}{4}$ turn to the **OFF** position (see Fig. 39-2). Be sure the key valve is turned fully off to avoid any gas leakage.

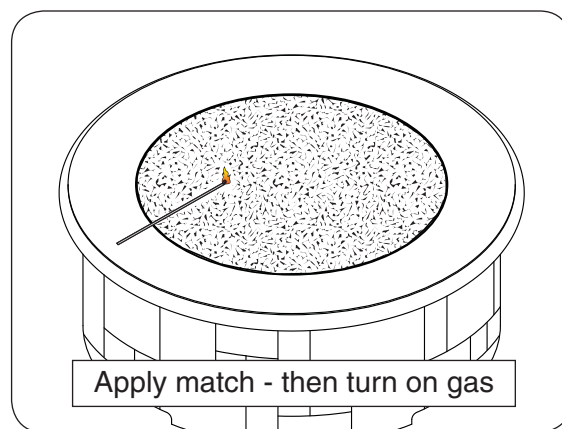


Fig. 39-1

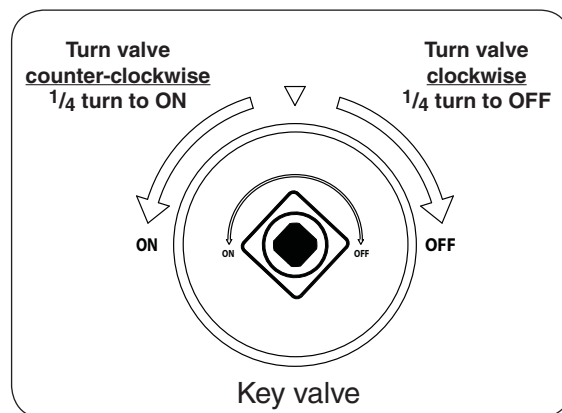


Fig. 39-2

INSTRUCTIONS D'ALLUMAGE - MODÈLE DE VANNE CLÉ

POUR VOTRE SÉCURITÉ, LIRE AVANT D'ALLUMER

AVERTISSEMENT: S'IL VOUS NE SUIVEZ PAS CES INSTRUCTIONS À LA LETTRE, UN INCENDIE OU UNE EXPLOSION POURRAIENT S'ENSUIVRE, CAUSANT DES DOMMAGES MATÉRIELS, DES BLESSURES OU DES PERTES DE VIE.

- A. AVANT D'ALLUMER**, sentez tout autour de l'unité de surface pour le gaz. Assurez-vous de sentir près du plancher, car certains gaz sont plus lourds que l'air et se déposent sur le sol.
- B. QUE FAIRE SI UNE ODEUR DE GAZ**
1. Coupez le gaz à l'appareil.
 2. Éteindre toute flamme nue.
 3. Si l'odeur persiste, appelez immédiatement votre fournisseur de gaz ou le service des incendies.
- C. Utilisez uniquement une clé propre à tourner la vanne de la conduite de gaz. Ne jamais utiliser d'outils. Si la vanne ne tourne pas, NE PAS essayer de le réparer. Appelez un technicien de service qualifié. Force ou une tentative de réparation pourrait provoquer un incendie ou une explosion.**

1. **ARRÊT!** Lire les consignes de sécurité ci-dessus.
2. S'assurer que le robinet est complètement clé en position **OFF (ÉTEINDRE)** avant de séquence d'éclairage à partir.
3. Poser une allumettes sur la surface des médias décoratifs près du brûleur (**ne pas tenir le match en main**) (Fig. 40-1).
4. **Une fois que le match est en feu et en position**, tournez la vanne clé sens anti-horaire d'un tour à la position **ON** (sur) 1/4 (voir Fig. 40-2). Votre brûleur devrait s'allumer.

AVERTISSEMENT: Si le brûleur ne se allume pas dans les cinq (5) secondes de tourner sur la vanne clé, tournez immédiatement la vanne clé vers la droite d'une tour à la position **OFF** (éteindre) 1/4.

Attendez environ cinq (5) minutes pour laisser échapper tout le gaz, et répétez les étapes 3-4 ci-dessus.

Si votre graveur ne s'allume à nouveau, tourner la soupape clé vers la droite d'une tour à la position OFF (éteindre) 1/4 et contactez votre revendeur ou fournisseur de gaz.

Note: La hauteur des flammes peut être réglée par la vanne clé.

POUR ARRÊTER LE GAZ À L'APPAREIL

Pour éteindre votre brûleur à gaz, tourner la soupape clé vers la droite d'une tour à la position **OFF** (éteindre) 1/4 (voir Fig. 40-2). Assurez-vous que la vanne clé est tournée entièrement au large pour éviter toute fuite de gaz.

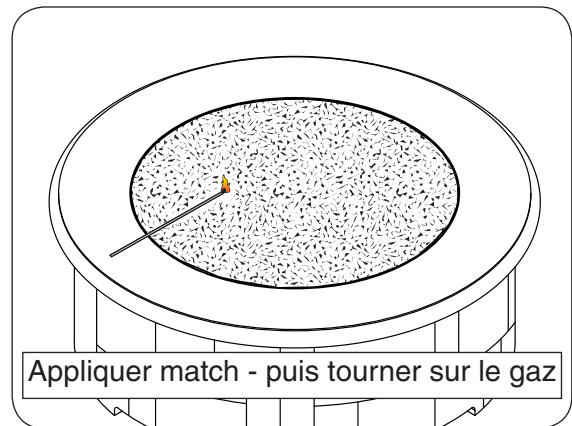


Fig. 40-1

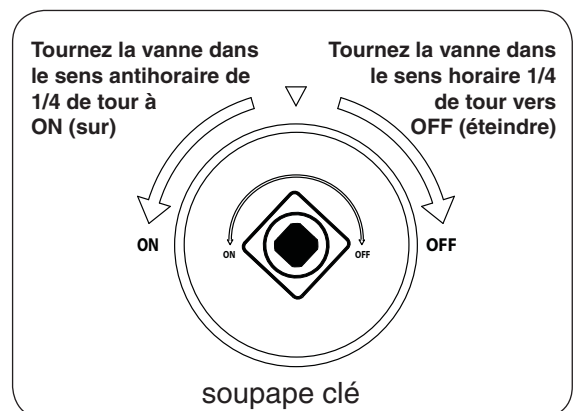


Fig. 40-2

LIGHTING INSTRUCTIONS - ALL WEATHER REMOTE MODELS

FOR YOUR SAFETY, READ BEFORE LIGHTING

WARNING: If you do not follow these instructions exactly, a fire or explosion may result causing property damage, personal injury or loss of life.

- A. This appliance is equipped with an ignition device that automatically lights the pilot. DO NOT attempt to light the pilot by hand.
- B. **BEFORE LIGHTING**, smell all around the unit area for gas. Be sure to smell next to the floor, because some gas is heavier than air and will settle on the floor.
- C. **WHAT TO DO IF YOU SMELL GAS**
 1. Shut off the gas to the appliance.
 2. Extinguish any open flame.
 3. If odor continues, immediately call your gas supplier or the fire department.
- D. Use only your hand to push in or move the controls. Never use tools. If the control will not push in or move by hand, **DO NOT** try to repair it. Call a qualified professional service technician. Force or attempted repair may result in fire or explosion.

REMOTE LIGHTING

CAUTION: DO NOT attempt to light the pilot by hand.

Note: If the remote does not function, and batteries with an adequate power level are installed, refer to the SYNCING THE REMOTE section.

Note: Steps 1-2 may not be required if previously done during an earlier lighting.

1. Ensure the master switch is in the **OFF/REMOTE** position (see Fig. 41-1).
2. Locate the 3-position switch on the remote receiver (see Fig. 41-1), and slide the switch to the **REMOTE** position.
3. Turn the ON/OFF key valve counter-clockwise a $1/4$ turn to the **ON** position (Fig. 41-2).
4. Locate the remote transmitter and press the **ON** button (see Fig. 41-3). The ignition sequence will begin.

The remote receiver will emit an audible "beep"; then the ignition sequence will begin. After the pilot lights and is established, the valve will automatically open and the burner will light.

Note: The ignition sequence will take approximately 10 seconds.

WARNING: If the burner fails to light within 10 seconds, press the **OFF** button on the remote transmitter and/or slide the remote receiver switch to the **OFF** position. Allow five (5) minutes for any gas in the unit to dissipate, then repeat steps 1-4 above. **IF YOU SMELL GAS, SEE STEP B ABOVE.**

If the pilot fails to light after several tries, turn all control/remote system components to **OFF** and refer to the TROUBLESHOOTING section for further details.

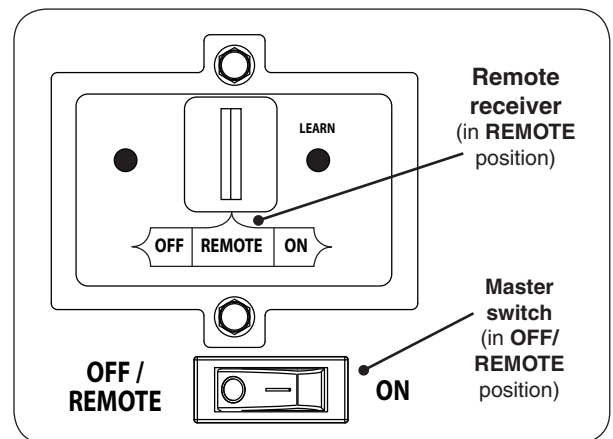


Fig. 41-1 Control panel detail

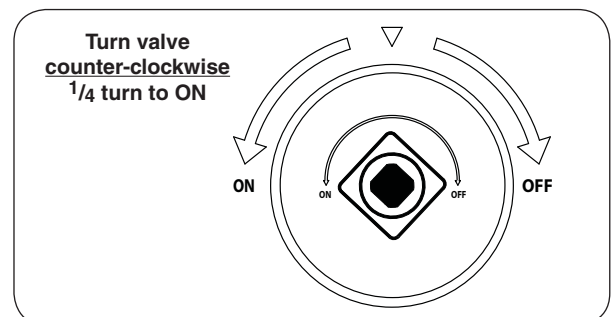


Fig. 41-2 ON/OFF key valve detail

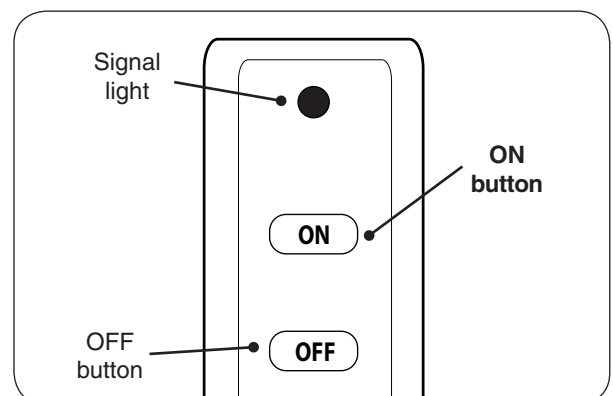


Fig. 41-3 Remote transmitter detail

INSTRUCTIONS D'ALLUMAGE - DISTANCE TEMPS TOUS LES MODÈLES

POUR VOTRE SÉCURITÉ LISEZ AVANT D'ALLUMER

AVERTISSEMENT: Si vous ne suivez pas ces instructions à la lettre, un incendie ou une explosion entraînant des dommages matériels, des blessures ou des pertes de vie.

- A. Cet appareil est équipé d'un dispositif d'allumage qui allume automatiquement la veilleuse. NE PAS essayer d'allumer la veilleuse à la main.
- B. **AVANT L'ALLUMAGE**, sentez autour de l'unité de surface pour le gaz. Soyez sûr de sentir près du plancher, car certains gaz sont plus lourds que l'air et se déposent sur le sol.
- C. **QUE FAIRE SI UNE ODEUR DE GAZ**
 1. Couper le gaz de l'appareil.
 2. Éteindre toute flamme nue.
 3. Si l'odeur persiste, appelez immédiatement votre fournisseur de gaz ou le service d'incendie.
- D. Utilisez seulement votre main pour pousser ou déplacer les commandes. Ne jamais utiliser des outils. Si la commande ne sera pas à enfoncer ou à déplacer à la main, **NE PAS** essayer de le réparer. Appelez un technicien de service professionnel qualifié. La force ou la tentative de réparation pourrait provoquer un incendie ou une explosion.

DISTANCE DE L'ÉCLAIRAGE

ATTENTION: NE PAS essayer d'allumer la veilleuse manuellement.

Note: Si la télécommande ne fonctionne pas, et des batteries avec un niveau de puissance adéquate sont installés, se référer à la section synchronisation des REMOTE.

Note: Les étapes 1 et 2 ne peuvent être tenus si elle a déjà fait au cours d'un éclairage plus tôt.

1. Vérifiez que l'interrupteur principal est en position **OFF/REMOTE** (éteindre/éloigné) (voir Fig. 42-1).
2. Repérez l'interrupteur à 3 positions sur le récepteur de télécommande (voir Fig. 42-1), Et faites glisser l'interrupteur à la position **REMOTE**(éloigné).
3. Tournez la SUR/ÉTEINDRE vanne clé de la hauteur dans le sens antihoraire de 1/4 de tour à la position **ON** (sur) (Fig. 42-2).
4. Localisez la télécommande et appuyez sur la touche **ON** (sur) (voir Fig. 42-2). La séquence d'allumage commence.

Le récepteur de télécommande émet un "bip" sonore; et la séquence d'allumage commencera. Après les feux de pilotes et est établie, la vanne se ouvre automatiquement et le brûleur se allume.

Note: La séquence d'allumage prendra environ 10 secondes.

AVERTISSEMENT: Si le brûleur ne se allume pas dans les 10 secondes, appuyez sur le bouton OFF de la télécommande et / ou faites glisser le commutateur à la position OFF. Autoriser cinq (5) minutes pour tout gaz dans l'unité à se dissiper, puis répétez les étapes 1 et 4 ci-dessus. S'IL Y A UNE ODEUR DE GAZ, voir l'étape B ci-dessus.

Si le pilote ne parvient pas à allumer après plusieurs essais, tournez tout contrôle / composants du système à distance sur **OFF** et se référer à la section dépannage pour plus de détails.

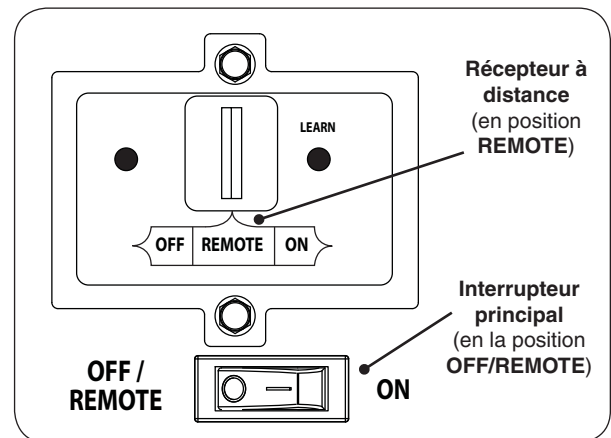


Fig. 42-1 Contrôle détail du panneau

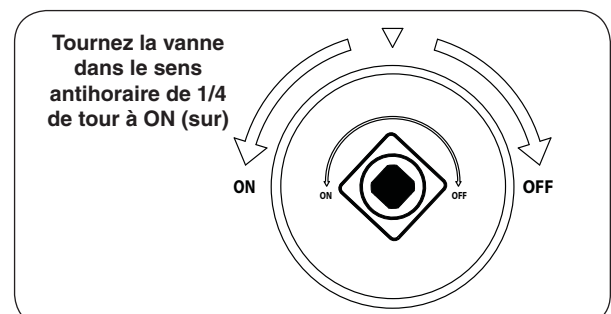


Fig. 42-2 SUR/ÉTEINDRE vanne clé détail

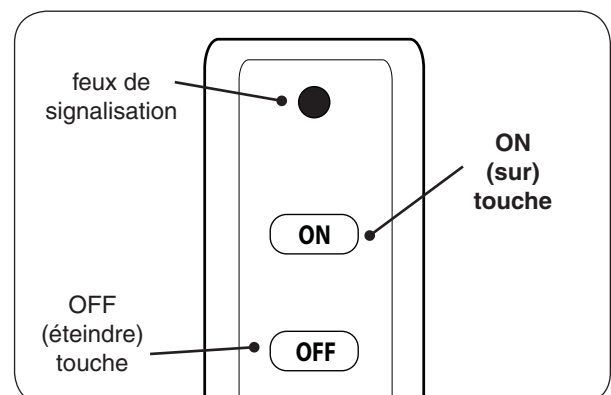


Fig. 42-3 Détail télécommande

MANUAL LIGHTING

CAUTION: DO NOT attempt to light the pilot by hand.

1. Ensure the master switch is in the **OFF/REMOTE** position (see Fig. 43-1).
2. Turn the ON/OFF key valve counter-clockwise a 1/4 turn to the **ON** position (Fig. 43-2).
3. Locate the 3-position switch on the remote receiver (see Fig. 43-1), and slide the switch to the **ON** position.

The remote receiver will emit an audible "beep"; then the ignition sequence will begin. After the pilot lights and is established, the valve will automatically open and the burner will light.

Note: The ignition sequence will take approximately 10 seconds.

WARNING: If the burner fails to light within 10 seconds, slide the remote receiver switch to the **OFF** position. Allow five (5) minutes for any gas in the unit to dissipate, then repeat steps 1-3 above. **IF YOU SMELL GAS, SEE STEP B AT BEGINNING OF LIGHTING INSTRUCTIONS.**

If the pilot fails to light after several tries, turn all control/remote system components to **OFF** and refer to the TROUBLESHOOTING section for further details.

Note: In manual mode, the remote transmitter will not operate the burner system.

SHUTTING DOWN

For remote shut down, press the **OFF** button on the remote transmitter.

If remote is unavailable, slide the switch on the remote receiver to the **OFF** position.

For emergency shut down, turn the ON/OFF key valve clockwise a 1/4 turn to the **OFF** position.

MASTER SWITCH

The master switch should remain in the **OFF/REMOTE** position to allow for remote system operation (see Fig. 43-1).

In the event the remote system batteries are dead (or if the system is not functioning) the master switch can be used to turn the burner on and off.

PILOT APPEARANCE

Periodically check the pilot for proper flame pattern. The pilot should be a steady fame, encircling the flame sensor. It is preset at the factory (see Fig. 43-3).

If the pilot flame burns incorrectly: shut down completely and refer to the TROUBLESHOOTING section for further details.

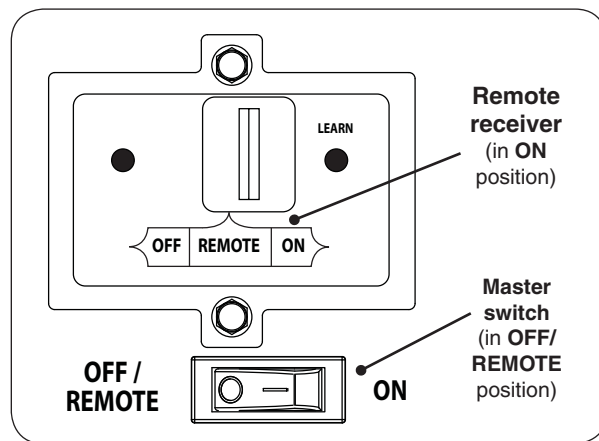


Fig. 43-1 Control panel detail

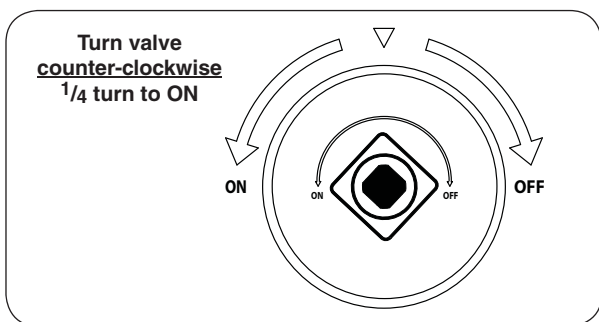


Fig. 43-2 ON/OFF key valve detail

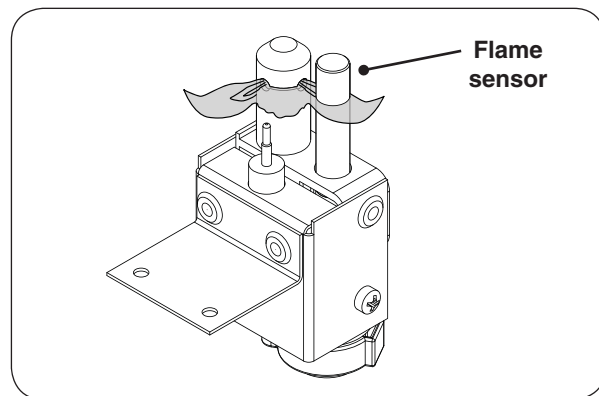


Fig. 43-3 Proper pilot flame

ÉCLAIRAGE MANUEL

ATTENTION: NE PAS essayer d'allumer la veilleuse à la main.

1. Vérifiez que l'interrupteur principal est en position **OFF/REMOTE** (éteindre/éloigné) (voir Fig. 44-1).
2. Tournez la SUR/ÉTEINDRE vanne clé de la hauteur dans le sens antihoraire de 1/4 de tour à la position **ON** (sur) (Fig. 44-2).
3. Repérez l'interrupteur à 3 positions sur le récepteur de télécommande (voir Fig. 44-1), Et faites glisser le commutateur en position **ON** (sur).

Le récepteur de télécommande émet un "bip" sonore; puis l'allumeur commence à susciter. Après les feux de pilotes et est établie, la vanne se ouvre automatiquement et le brûleur se allume.

Note: La séquence d'allumage prendra environ 10 secondes.

AVERTISSEMENT: Si le brûleur ne parvient pas à allumer dans les 10 secondes, faites glisser le commutateur de récepteur de télécommande à la position **OFF**. Autoriser cinq (5) minutes pour tout gaz dans l'unité à se dissiper, puis répétez les étapes 1-3 ci-dessus. **SI VOUS UNE ODEUR DE GAZ, voir l'étape B AU DÉBUT DE instructions d'allumage.**

Si le pilote ne parvient pas à allumer après plusieurs essais, tournez tout contrôle / composants du système à distance sur **OFF** et se référer à la section dépannage pour plus de détails.

Note: En mode manuel, la télécommande ne fonctionnera pas le système du brûleur.

ARRÊT

Pour arrêt à distance, appuyez sur le bouton **OFF** (éteindre) de la télécommande.

Si la télécommande ne est pas disponible, faites glisser le commutateur sur le récepteur de la télécommande à la position **OFF** (éteindre).

Pour d'arrêt d'urgence, tourner SUR/ÉTEINDRE vanne clé dans le sens horaire un virage vers la position **OFF** 1/4.

INTERRUPTEUR PRINCIPAL

L'interrupteur principal doit rester dans la position **OFF/REMOTE** (éteindre/éloigné) pour permettre le fonctionnement du système à distance (voir Fig. 44-1).

Dans le cas du système de batteries à distance sont morts (ou si le système ne fonctionne pas) l'interrupteur principal peuvent être utilisés pour allumer le brûleur sur et en dehors.

ASPECT PILOTE

Contrôler régulièrement le pilote pour motif de flamme correcte. La flamme de la veilleuse doit encercler le détecteur de flamme, et est pré-réglé en usine (Fig. 44-3).

Si la flamme de la veilleuse brûle mal: fermer complètement et se référer à la section dépannage pour plus de détails.

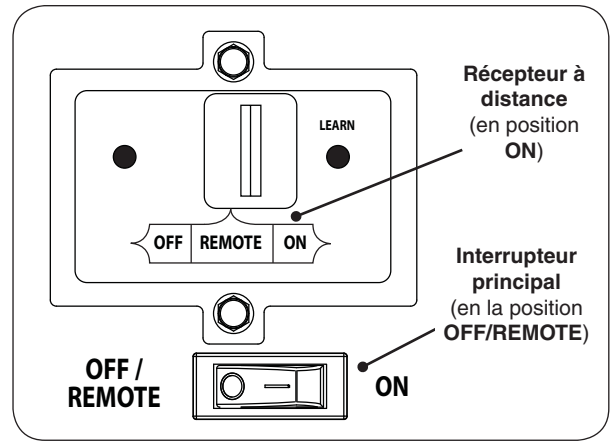


Fig. 44-1 Contrôle détail du panneau

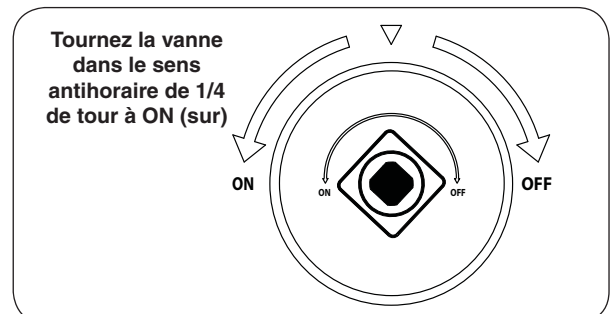


Fig. 44-2 SUR/ÉTEINDRE vanne clé détail

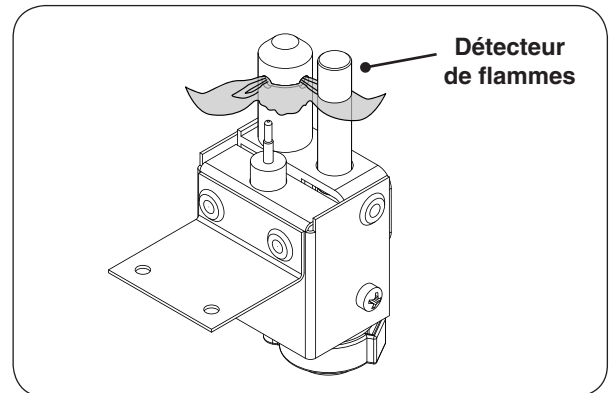


Fig. 44-3 Bonne flamme pilote

SERVICING AND CLEANING

Each installation site for any unit presents its own unique combustion environment. Specific factors such as weather, wind currents, yard debris, altitude, drafts, the size of the surrounding area, all have an influence on the proper operation of the unit. A normally operating unit will demonstrate the following characteristics:

- A lively, realistic yellow flame
- Odor-free

If the flame is not clean (identifiable by excessive sooting on the decorative media), refer to the information below. Some soot on the media may occur and should not be a concern unless excessive.

- Cover your unit whenever it is completely cool and not in use, and follow the guidelines below at least annually.

ANNUAL CLEAN / INSPECTION GUIDELINES

The unit and the installation must be inspected annually. Refer to these instructions for details. Performing these procedures will ensure proper operation, appearance, and safety. WEAR GLOVES.

If maintenance is required, it must be done by a qualified professional service technician.

- Always shut off the gas to the unit while performing service work.
- Allow the unit to cool before servicing.
- The entire burner system should be inspected regularly:

Excessive debris can build up on this unit from leaves, dirt, or other debris. It is critical that all control components, burners, pilot/igniter screen (if applicable), vent openings, and the surrounding area be kept clear and free at all times.

Examine that all components are properly assembled / installed as instructed in this manual.

Ensure that all decorative media is properly placed as instructed in this manual.

Ensure that the pilot/igniter screen on the burner pan is clear of decorative media and any other items/debris.

Replace batteries as needed. See BATTERY INSTALLATION/REPLACEMENT section for details.

- The burner assembly must be replaced prior to the unit being put into operation if it is evident that the burner is damaged. Contact your local dealer for replacement parts.
- DO NOT use substitute materials when replacing any components of the appliance.
- **Keep the vent openings and surrounding area of the unit clear and free at all times.**
- Periodically perform visual checks of the burner flames and pilot flames (if applicable). The burner flames should be blue at the base with a combination of blue/yellow at the body and tips. The pilot (if applicable) should be a steady flame, encircling the flame sensor. Contact a qualified professional service technician for maintenance.
- **To maintain the concrete components,** see the CONCRETE CARE section for details.
- Any guard or other protective device removed for servicing the appliance shall be replaced prior to operating appliance.
- Verify proper operation after servicing.

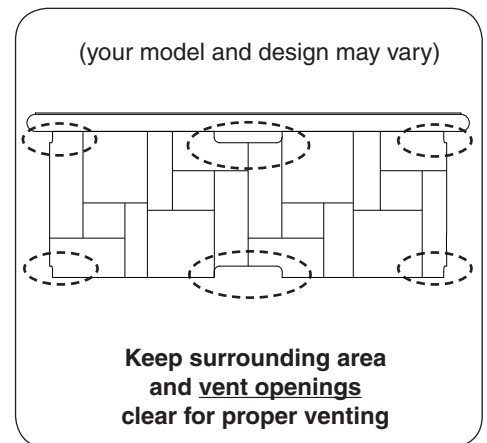


Fig. 45-1

CAUTION: HOT DURING OPERATION AND AFTER USE. Children must be supervised when in the vicinity of this appliance. Serious injury may occur! Children must be alerted to the hazard of high surface temperatures and should stay away to avoid burns or clothing ignition.

CONCRETE CARE

As with any surface, concrete components require regular maintenance and care. Certain guidelines must be followed to preserve the concrete's appearance and structural integrity.

- **Scratches may occur due to usage.** To minimize, avoid striking or dragging heavy, rough, or sharp objects across the unit.
- **Spotting and hairline cracks may occur due to nature of product and are not considered a manufacturing defect.**
- **Concrete products are porous and susceptible to discoloration from liquids.** Avoid allowing water (or any liquid / substance) to stand on the surfaces of the unit.
- **To clean the concrete, first wash with a mild soap and water solution. For stubborn stains, a vinyl brush may be used. Allow to dry. Annually, follow up with a masonry sealer in order to preserve the finish.**
- It should be noted that, like natural stone, concrete products will develop a patina when left outside. No two concrete products are identically the same and the finish will vary.
- **An optional fabric cover is available to protect your unit when cool and not in use (select models).** Contact your local dealer for ordering information.

FUEL CONVERSION KITS

A certified kit is available from the manufacturer to convert your appliance from natural gas to L.P. or vice versa. Contact your dealer for ordering information.

Follow the instructions provided with the kit when converting.

SYNCING THE REMOTE SYSTEM (if applicable)

Ensure the burner system is off and completely cool.

Locate the 3-position switch on the remote receiver and slide it to the **REMOTE** position. Use the tip of a pen or a wire clip to push the **LEARN** button and release. See Fig. 47-1. A beep will be heard. Then press and hold the **ON** button on the remote transmitter; a series of beeps should be heard. The remote system is now synced. Refer to the LIGHTING INSTRUCTIONS to test.

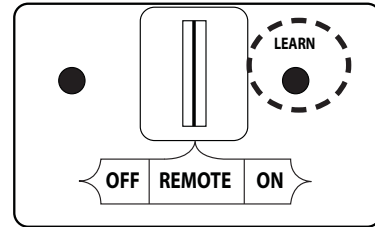


Fig. 47-1 Remote receiver sync detail

BATTERY INSTALLATION/REPLACEMENT (if applicable)

CAUTION: Ensure the unit is connected to the gas line and has been tested for leaks before you insert batteries.

CAUTION: Turn off the burner and allow the unit to completely cool prior to any battery replacements.

Important: Prior to inserting batteries, always apply a small amount of dielectric grease to both ends of each battery. This will ensure conductivity and prevent moisture from affecting the contact.

Important: **Low/dead batteries will affect burner system operation. Replace batteries any time the burner will not turn on.**

Remote transmitter battery

The remote transmitter requires 1 12V battery to operate (included). Locate the transmitter, remove the lid (found on rear), and properly insert the new battery as marked. Re-secure the lid. See Fig. 47-2.

Remote receiver batteries

The remote receiver requires 4 AA batteries to operate (included). Locate the receiver on the control panel, remove the 2 hex screws using a 1/4" nut driver, then pull the receiver (and bracket) out of the control panel. Slide open the lid, and properly insert the new batteries as marked. See Fig. 47-3.

Replace the lid, replace the receiver and bracket, and secure using the 2 screws.

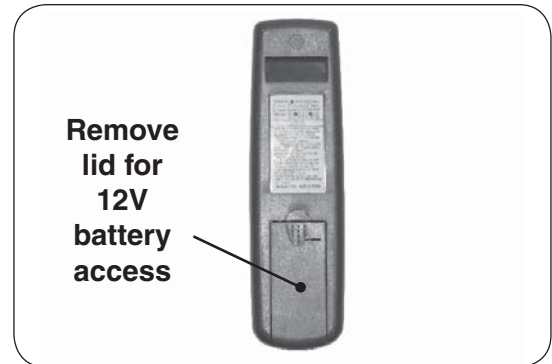


Fig. 47-2 Transmitter battery

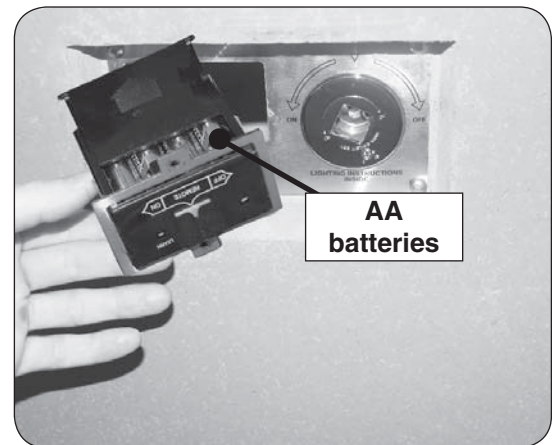


Fig. 47-3 Remote receiver batteries

FUSE REPLACEMENT (if applicable)

Ensure the gas to the unit is off and the burner system is off and completely cool.

688 and 689 Models Only

1. Use a $\frac{5}{16}$ " nut driver to partially unfasten the eight screws found on the burner assembly. Then remove the burner and set it off to the side. Reference Fig. 48-1.

Note: **DO NOT** completely remove the screws - to ensure the burner brackets (beneath) remain assembled.

Remove with care to prevent damage to the electrical and/or gas connections.

2. Remove the burner and gain access to the valve box as shown in Fig. 48-2, A-F.
3. Proceed to step 4 on the next page.

All Other Models

1. Use a $\frac{5}{16}$ " nut driver to partially unfasten the four screws found on the burner assembly. Then remove the burner and set it off to the side. See Fig. 48-1.

Note: **DO NOT** completely remove the screws - to ensure the burner brackets (beneath) remain assembled.

Remove with care to prevent damage to the electrical and/or gas connections.

2. Remove the burner and gain access to the valve box as shown in Fig. 48-2, A-D.
3. Locate the remote receiver on the control panel, remove the 2 hex screws using a $\frac{1}{4}$ " nut driver, then pull the receiver (and bracket) out of the control panel. Disconnect the receiver and switch wires as shown in Fig. 48-3, E-F. The valve box can now be pulled away from the unit. Proceed to step 4 on the next page.

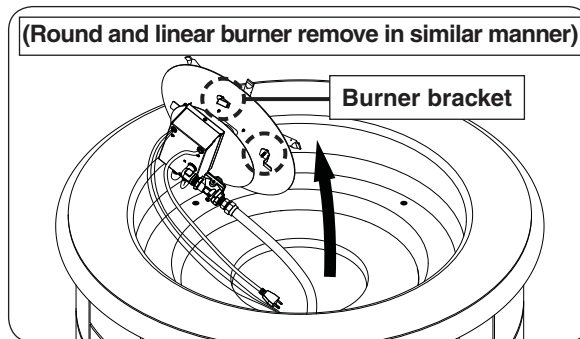


Fig. 48-1 Remove burner assy

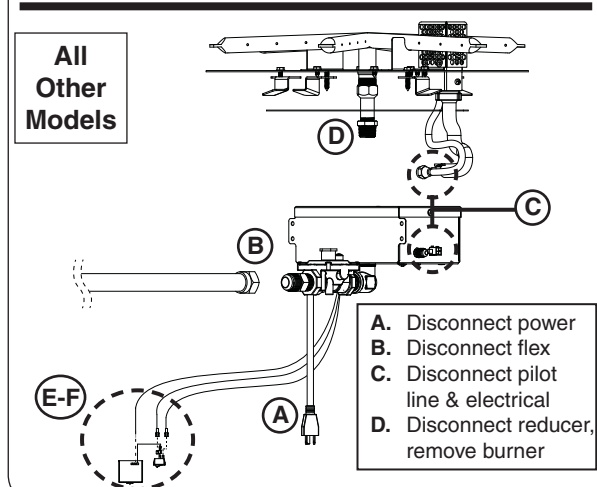
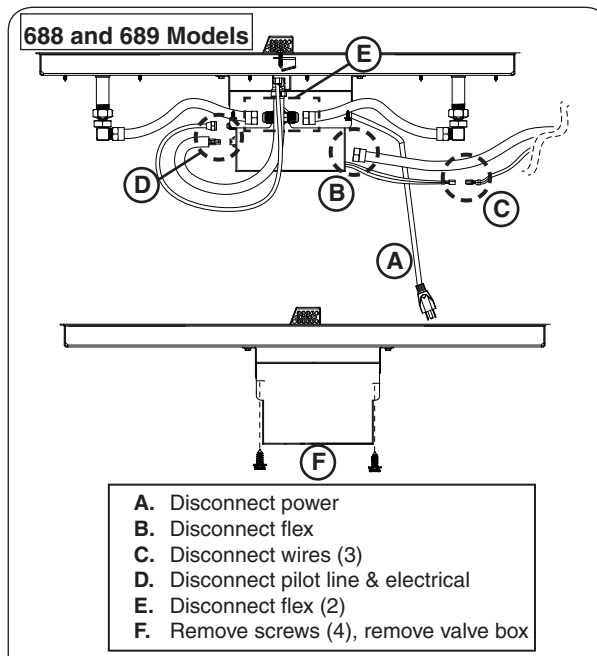


Fig. 48-2 Gain access to valve box

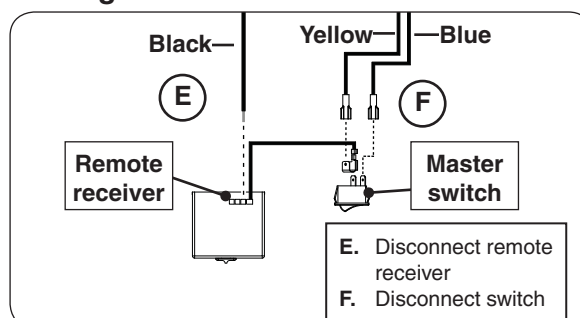


Fig. 48-3 Disconnect receiver & switch wires

SERVICE AND CLEANING (cont.)

4. Use a Phillips screwdriver to remove the access panel of the valve box (see Fig. 49-1).
5. "Push in and twist" the fuse holder (red wire), exposing the fuse (see Fig. 49-2).
6. Replace the fuse accordingly (3AG 2 AMP).
7. Reassemble the fuse holder and access panel. Reinstall the remote receiver (if applicable), valve box, and burner assembly.

When replacing burner assembly, ensure the electrical and/or gas connections are clear, undamaged, and completely inserted into the opening. DO NOT pinch the wires.

LEAK TEST: Turn on the gas supply, ignite the burner, and test at all connections for leaks using a soapy water solution. If bubbles appear, a leak is present. Turn off the gas and tighten at all connections. Repeat until no leaks are present. If a leak persists, turn off the gas supply and contact the local gas company or dealer. **NEVER USE A FLAME TO CHECK FOR LEAKS.**

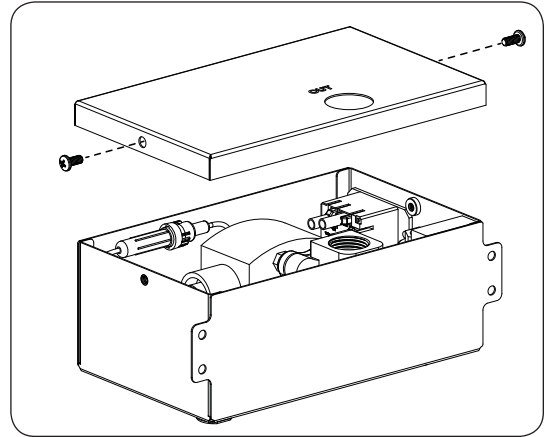


Fig. 49-1 Remove access panel of valve box

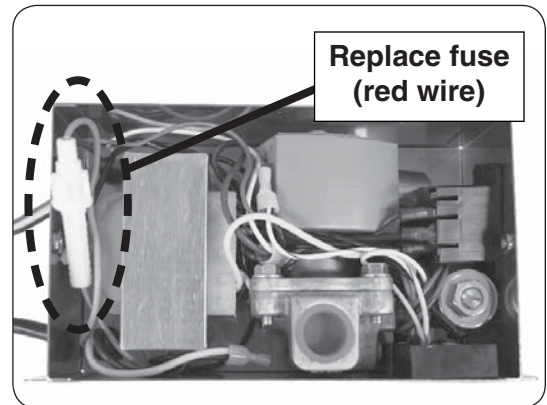


Fig. 49-2 Replace fuse

TROUBLESHOOTING

If you have trouble with your unit, please use this list to identify the problem. By trying one or more of the solutions to the probable cause, you should be able to solve the problem. If this list does not address your present problem, or if you have other technical difficulties with your unit, please contact your local dealer or visit our web site at www.rhpeter.com.

SYMPTOM	PROBABLE CAUSE	CORRECTIVE ACTION
Burner will not turn on	<ol style="list-style-type: none"> 1. Gas not reaching appliance 2. Air in gas line 3. No ignition at pilot 4. Appliance is not receiving power 5. Loose electrical connection 	<ol style="list-style-type: none"> 1. Check gas supply and gas shut-off valve. 2. Purge air from gas line. 3. See next page (Igniter Will Not Function symptom) for details. 4. Check that power supply cord is properly plugged in. Check GFCI. Check building circuit breaker. 5. Check all connections are secure in place.
Unit overheating or poor combustion	<ol style="list-style-type: none"> 1. Vent openings/surrounding area blocked with debris 	<ol style="list-style-type: none"> 1. Clean vent openings and surrounding area of all obstructions.
Low flame	<ol style="list-style-type: none"> 1. Low gas pressure 2. Low gas pressure/flame (propane) 3. Propane tank running low (if applicable) 	<ol style="list-style-type: none"> 1. Check gas pressure (Read E-F of PRE-INSTALLATION AND PREPARATION SAFETY GUIDELINES section, & <u>check with local gas company</u>). 2. Shut off all valves, including propane tank, and follow lighting instructions exactly. (See important note* below.) 3. Fill tank completely.
Low flame or too high flame	<ol style="list-style-type: none"> 1. Using natural-gas burner on propane gas or propane burner on natural gas 	<ol style="list-style-type: none"> 1. Ensure proper gas type. The gas supply used may not be the same as that stated on the unit rating plate. Shut down immediately to verify, and if necessary contact your local dealer. (The unit may be converted to the gas type of the gas supply, IF PERMITTED.)
Flame lifts off the burner assembly	<ol style="list-style-type: none"> 1. Unit exposed to high-wind conditions 	<ol style="list-style-type: none"> 1. Ensure that the unit is installed in an area that is less susceptible to high wind conditions. DO NOT operate in high-wind conditions.
Flame height drops when unit is in operation	<ol style="list-style-type: none"> 1. Low gas pressure (due to improper gas supply line) 	<ol style="list-style-type: none"> 1. Check gas supply line and gas pressure (Read E-F of PRE-INSTALLATION AND PREPARATION SAFETY GUIDELINES section, & <u>check with local gas company</u>).
Burner lights but will not stay lit	<ol style="list-style-type: none"> 1. Low gas pressure 2. Unit exposed to high-wind conditions 3. Clogged burner ports 4. Faulty valve or regulator 5. Bad flame sensor 	<ol style="list-style-type: none"> 1. Check gas pressure (Read E-F of PRE-INSTALLATION AND PREPARATION SAFETY GUIDELINES section, & <u>check with local gas company</u>). 2. Ensure that the unit is installed in an area that is less susceptible to high wind conditions. 3. Clean burner ports. 4. Contact a qualified professional service technician and the local dealer. 5. Check/replace pilot assembly.

Note: *Propane tanks are equipped with a safety shutdown device that may cause low or no gas/flame at the burners if operating and lighting instructions are not followed exactly. **If you suspect the propane tank safety shutoff is in effect:** 1) Shut off unit's valve. 2) Shut off tank valve. 3) Open and close unit's valve. 4) Open tank valve. 5) Follow the LIGHTING INSTRUCTIONS. Lighting instructions are located in your owner's manual and printed on the unit's label plate. Lighting instructions are located in the owner's manual. If the problem persists, continue troubleshooting, or contact your local dealer or distributor for assistance.

TROUBLESHOOTING (cont.)

SYMPTOM	PROBABLE CAUSE	CORRECTIVE ACTION
Burner flashback or flame burning out of orifice	<ol style="list-style-type: none"> 1. Clogged burner ports 2. Clogged burner orifice 	<ol style="list-style-type: none"> 1. Clean burner ports. 2. Clean burner orifice.
Pilot will not ignite	<ol style="list-style-type: none"> 1. Key valve in OFF position (if applicable) 2. Obstruction in pilot gas supply or pilot gas-supply line is kinked 3. Inadequate gas supply 4. Air in line 5. Pilot screen covered 	<ol style="list-style-type: none"> 1. Turn key valve to ON position. See LIGHTING INSTRUCTIONS for details. 2. Clear out obstruction. Replace pilot gas-supply line if kinked. 3. Have gas pressure checked by installer or gas supplier. 4. Air should clear; attempt to relight. 5. Ensure screen is clear of decorative media. See DECORATIVE MEDIA PLACEMENT section for details.
Igniter will not function	<ol style="list-style-type: none"> 1. Loose wires 2. Appliance is not receiving power 3. Faulty pilot 4. Faulty valve 5. Faulty switch 6. Faulty remote system (if equipped) 	<ol style="list-style-type: none"> 1. Check all wires are securely in place. 2. Check that power supply cord is properly plugged in. Check GFCI. Check building circuit breaker. 3. Check/replace pilot assembly. 4. Check/replace valve box assembly. 5. Check/replace switch. 6. Check/replace remote system.
Pilot lights, but main burner will not	<ol style="list-style-type: none"> 1. Wire leads are not connected to proper valve terminals or switch terminals not tight 2. Loose wires 3. No flame verification 4. Faulty valve 	<ol style="list-style-type: none"> 1. Make sure all wire leads are tight and attached to proper terminals as illustrated in wiring diagram (see SPECIFICATIONS AND DIMENSIONS section). 2. Check all wires are connected properly. 3. Check/replace pilot assembly. 4. Check/replace valve box assembly.
Remote receiver does not respond to remote transmitter	<ol style="list-style-type: none"> 1. Receiver batteries dead 2. Remote system not synced 3. Remote receiver in incorrect position 4. Loose wires 	<ol style="list-style-type: none"> 1. Check/replace batteries in remote receiver (see BATTERY REPLACEMENT section). 2. See SYNCING THE REMOTE SYSTEM section to sync. 3. Slide switch on receiver to REMOTE position. See LIGHTING INSTRUCTIONS - REMOTE LIGHTING for details. 4. Check all wires are connected properly.
Remote receiver does not function at all, but master switch does	<ol style="list-style-type: none"> 1. Box wire connections (connect to master switch) are reversed 	<ol style="list-style-type: none"> 1. Flip wire connections, ensuring yellow and blue wires are installed as illustrated in wiring diagram (see SPECIFICATIONS AND DIMENSIONS section).
Pilot lights, burner lights then turns off soon after	<ol style="list-style-type: none"> 1. Valve recalibrating 2. Inadequate gas supply 	<ol style="list-style-type: none"> 1. Burner should relight approximately 10 seconds after shut-down. 2. Have gas pressure checked by installer or gas supplier.

WARRANTY

AMERICAN FYRE DESIGNS BY R. H. PETERSON CO. LIMITED WARRANTY

Robert H. Peterson Co. ("RHP") warrants your American Fire Designs product to be free from defects in material and workmanship.

American Fyre Designs ("AFD") exterior Glass Fiber Reinforced Concrete (GFRC) fire features ("products") and burners are warranted for **THREE (3) YEARS**.

All AFD valves, electrical components, accessories and controls are warranted for **ONE (1) YEAR** (excluding batteries, wind guards and screens).

This warranty **does not** apply to: product damage caused by burning wood or any fuel other than natural gas or propane; or damage or discoloration to product used in high wind conditions.

A COPY OF YOUR SALES SLIP FOR PROOF OF PURCHASE IS REQUIRED

This warranty applies to the original purchaser for products which are installed in the United States or Canada and which are operated and maintained as intended for single family residential usage. This warranty is valid only with proof of purchase, shall commence on the date of purchase, and shall terminate (both as to original and any replacement products) on the anniversary date of the original purchase of the product stated on the above schedules.

This warranty covers defects in material and workmanship. This warranty **does not** cover parts which become defective as a result of negligence, misuse, use not in compliance with the Owner's Manual/Installation Instructions, accidental damage, improper handling, improper storage, improper installation, **lack of required routine maintenance** (as specified in the Owner's Manual/Installation Instructions), electrical damage, local gas impurities or failure to protect against combustibles. Product must be installed (and gas must be connected) as specified in the Owner's Manual/Installation Instructions by a **qualified professional installer**. Modifications to products which are not specifically authorized will void this warranty. Accessories, parts, valves, remotes, etc. when used must be Peterson products or this warranty is void. Warranted items will be repaired or replaced at Peterson's sole discretion. This warranty **does not** apply to rust, corrosion, oxidation, or discoloration unless the affected part becomes inoperable.

This warranty **does not** cover labor or labor related charges, except as provided by separate specific written programs from the Peterson Co. All repair work must be performed by a qualified professional service person and requires prior approval of Peterson.

Peterson may require the defective product or part to be returned to the factory to determine the cause of failure. Peterson will pay freight charges if the product or part is determined to be defective. This warranty does not cover breakage in shipment from our (Independent) distributor to its customer if the damage is determined to have occurred during that shipment.

This warranty specifically excludes liability for **indirect, incidental**, or consequential damages. Some states and provinces do not allow the exclusion or limitation of incidental or consequential damages, so the above exclusion may not apply to you. This warranty gives you specified legal rights, and you may have other rights that vary from state to state or province.

For additional information regarding this warranty, or to place a warranty claim, contact the R. H. Peterson dealer where the product was purchased.

When contacting your Peterson dealer or the R. H. Peterson Co., please provide the following information:

- Your name, address, telephone number, e-mail
- Sales receipt showing where purchased and date purchased
- Model number, serial number of product, date code
- Relevant information: installer, additions, repairs, when defect was first noted

**TO REGISTER YOUR PRODUCT ONLINE GO TO: WWW.RHPETERSON.COM,
AND CLICK ON PRODUCT REGISTRATION. THANK YOU FOR YOUR PURCHASE.**

Quality Check			Date: _____		
Burner Orifice	Nat.	L.P.	Leak Test: _____	Model#:	_____
Main:	_____	_____	Burn Test: _____	Serial#:	_____
			Gas Type: <u>Nat. / L.P.</u>	Inspector:	_____