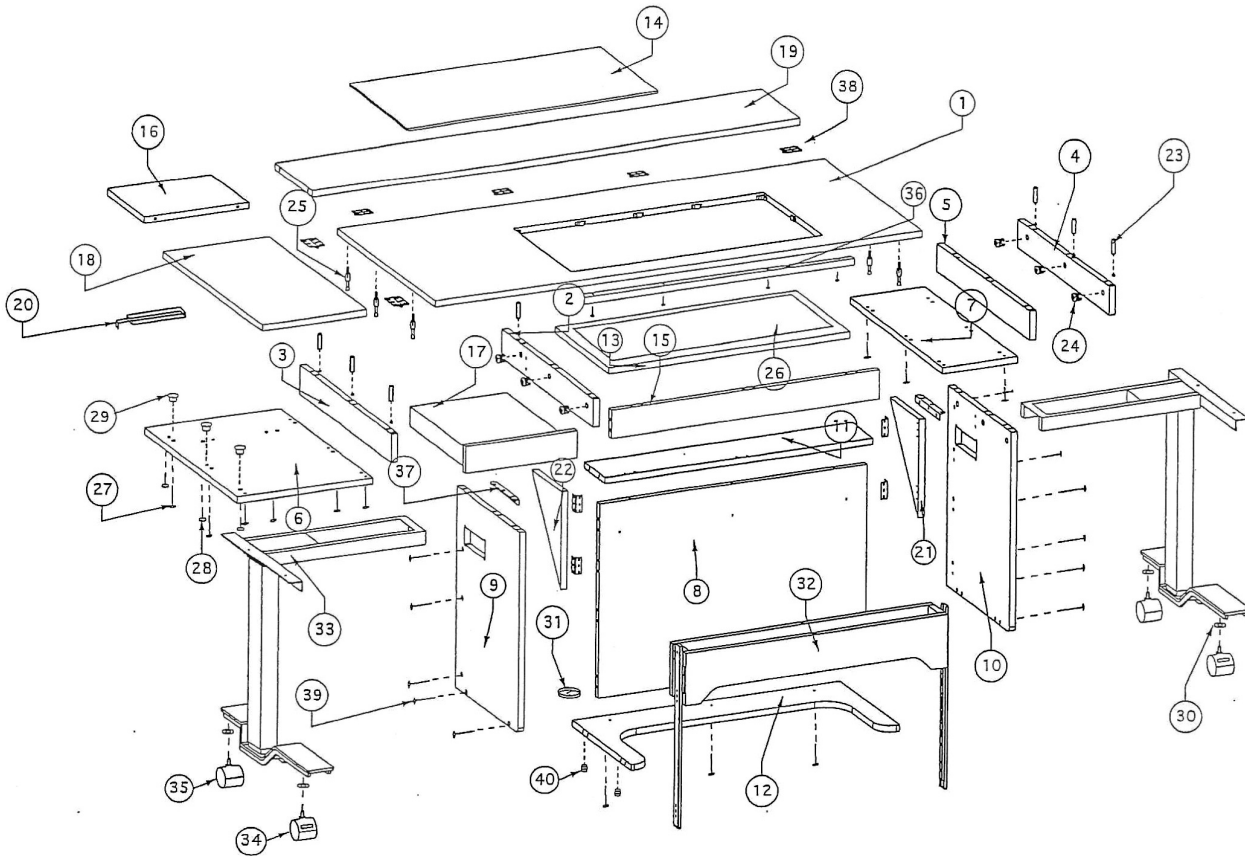


MODEL: 9100A PARTS DRAWING

2/20/2020



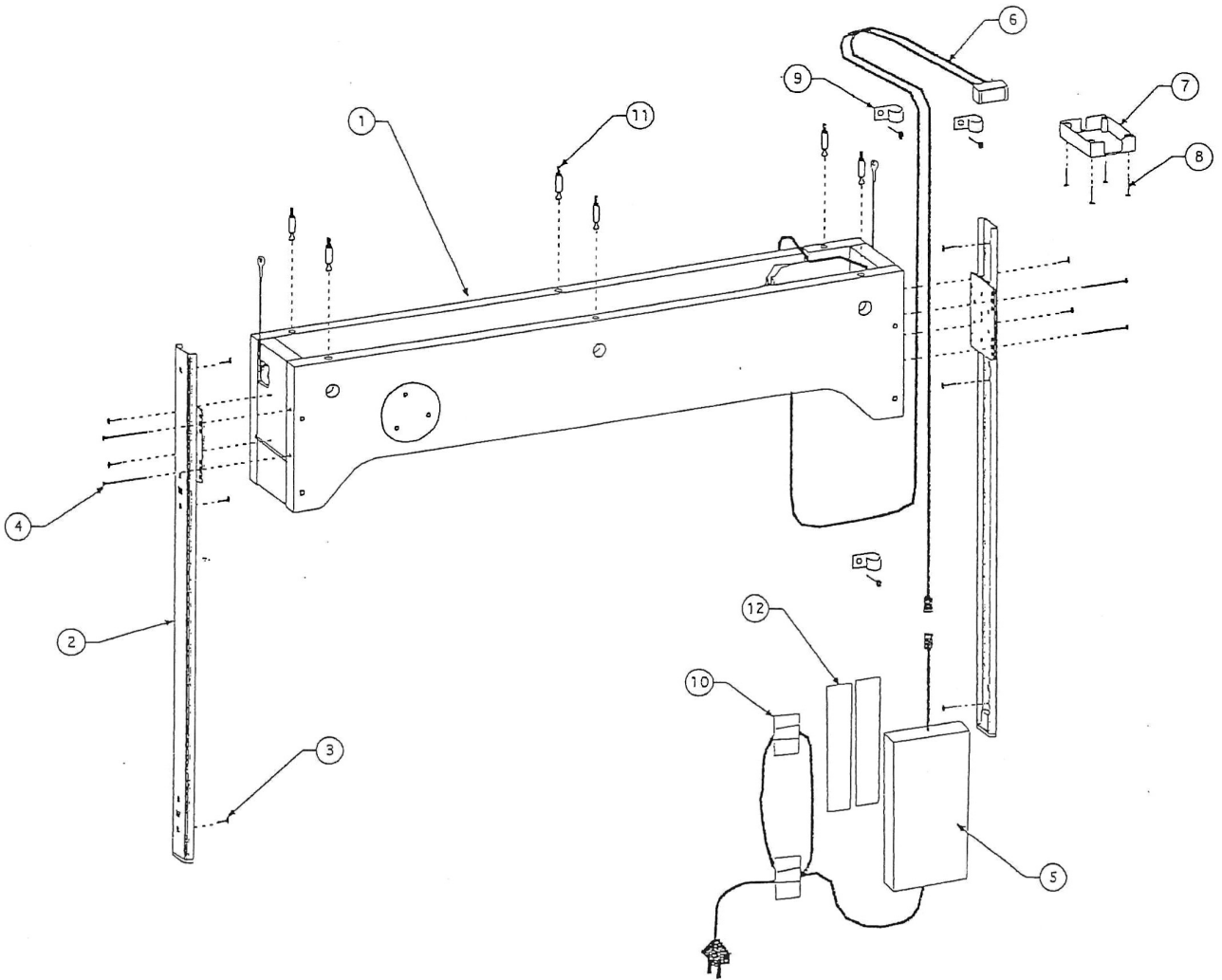
NOTE: WHEN ORDERING REPLACEMENT PARTS, PLEASE SPECIFY PART NUMBER _____ AND COLOR _____.

HORN OF AMERICA, INC.
P.O. BOX 608
SUTTON, WV 26601
PH: (800) 882-8845

<u>PART NO.</u>	<u>DESCRIPTION</u>	<u>QTY. REQ.</u>	<u>PART NO.</u>	<u>DESCRIPTION</u>	<u>QTY. REQ.</u>
9100A-1	TOP	1			
9100A-2	INNER LEFT SUPPORT RAIL	1	9100A-22	LEFT SUPPORT PANEL	1
9100A-3	LEFT SUPPORT RAIL	1	9100A-23	WOOD DOWEL	49
9100A-4	RIGHT SUPPORT RAIL	1	9100A-24	CAM LOCK	25
9100A-5	INNER RIGHT SUPPORT RAIL	1	9100A-25	CAM LOCK PIN	25
9100A-6	LARGE BOTTOM PANEL	1	9100A-26	NON-SLIP PAD	1
9100A-7	SMALL BOTTOM PANEL	1	9100A-27	SCREW	19
9100A-8	CRADLE BACK	1	9100A-28	BOLT 1/4/20X 5/8	6
9100A-9	LEFT CRADLE SIDE	1	9100A-29	5/8 INSERT NUT	6
9100A-10	RIGHT CRADLE SIDE	1	9100A-30	CASTER WASHER	4
9100A-11	STATIONARY SHELF	1	9100A-31	WIRING GROMMET	1
9100A-12	CRADLE BOTTOM PANEL	1	9100A-32	REFER TO 12B INSTRUCTIONS	1
9100A-13	MOUNTING PLATFORM	1	9100A-33	REFER TO LIFT LEG INSTRUCTIONS	1
9100A-14	FILLER PANEL	1	9100A-34	SCREW IN LOCKING CASTER	2
9100A-15	CRADLE STRETCHER RAIL	1	9100A-35	SCREW IN NON LOCKING CASTER	2
9100A-16	CORNER EXTENSION	1	9100A-36	TOP SUPPORT RAIL W/ SCREWS	1
9100A-17	DRAWER	1	9100A-37	BRACKET	2
9100A-18	SWING UP EXTENSION PANEL	1	9100A-38	BUTT HINGE W/ SCREWS	10
9100A-19	DROP LEAF	1	9100A-39	CONNECTOR BOLT 2"	16
9100A-20	LEAF SUPPORT SLIDE	1	9100A-40	5/8 BARREL NUT	16
9100A-21	RIGHT SUPPORT PANEL	1			

MODEL: 18A
ELECTRIC LIFT
PARTS DRAWING

4/4/2019



NOTE: WHEN ORDERING REPLACEMENT PARTS, PLEASE SPECIFY PART NUMBER _____ AND COLOR _____ .

PART NO.	PART DESCRIPTION	QTY. REQ.
12A-1	ELECTRIC LIFT UNIT COMPLETE	1
12A-2	VERTICAL SLIDE RAIL	2
12A-3	VERTICAL SLIDE RAIL SCREW	10
12A-4	50mm CONFIRMATE SCREW	4
12A-5	POWER TRANSFORMER	1
12A-6	MAIN WIRING HARNESS WITH SWITCH	1
12A-7	SWITCH ENCLOSURE	1
12A-8	SWITCH ENCLOSURE SCREW	4
12A-9	CABLE CLAMP W/SCREW	3
12A-10	ADJUSTABLE ADHESIVE CABLE CLAMP	2
12A-11	CAM LOCK PIN	6
12A-12	VELCRO STRIP	2

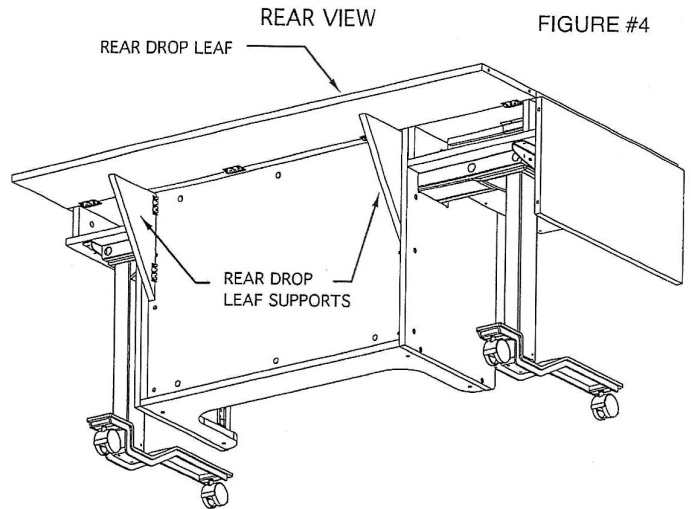
HORN OF AMERICA, INC. : 1-800-882-8845

MODEL 9100A ASSEMBLY INSTRUCTIONS

6/21/20

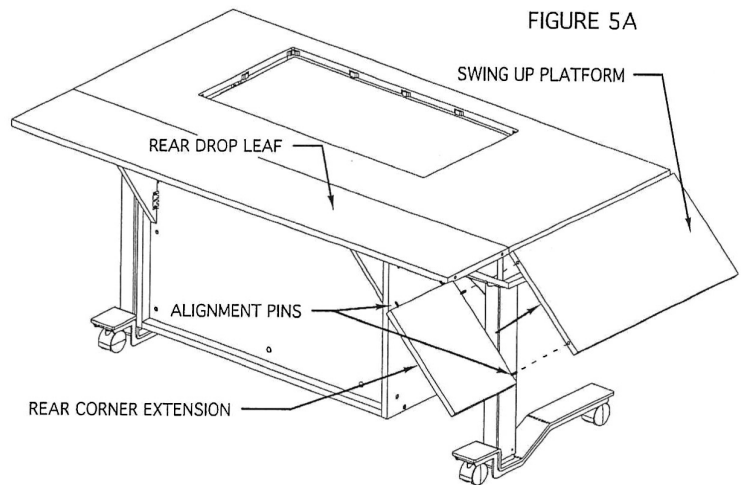
4. OPEN REAR DROP LEAF

SWING UP REAR DROP LEAF AND UNFOLD BOTH LEFT AND RIGHT REAR DROP LEAF SUPPORTS AS SHOWN FIGURE #4.

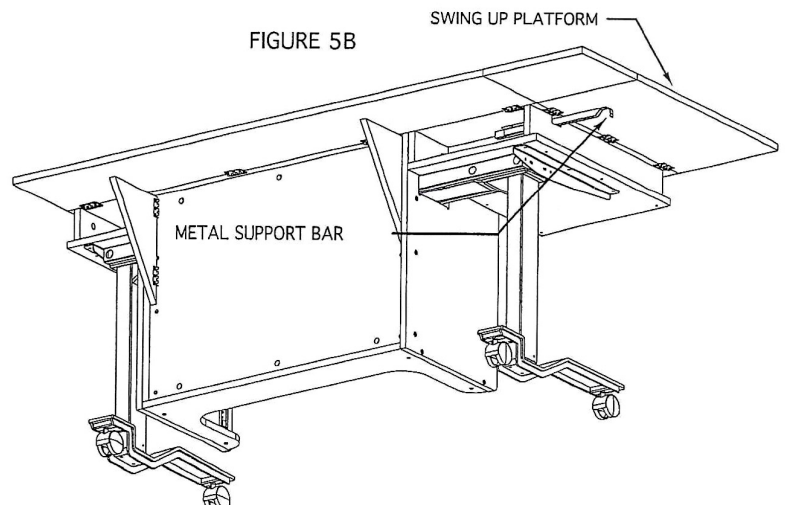


5. INSTALLING REAR CORNER EXTENSION

LIFT SWING UP PLATFORM SLIGHTLY AND ALIGN REAR CORNER EXTENSION SO THAT 2 PINS FACE SWING UP PLATFORM AND 2 PINS FACE REAR DROP LEAF AS SHOWN IN FIGURE #5A.



LIFT SWING UP PLATFORM AND REAR CORNER EXTENSION UP COMPLETELY. PULL OUT METAL SUPPORT BAR AS SHOWN IN FIGURE #5B



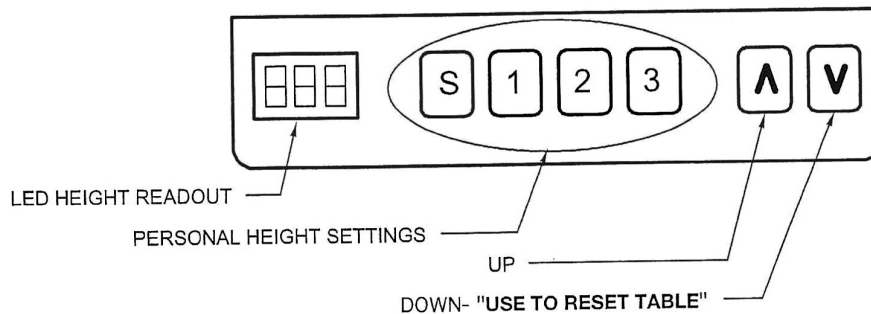
LIFT TABLE HEIGHT INSTRUCTIONS

!! CAUTION !!

1. MAKE SURE NO OBSTACLES ARE IN THE DESK'S PATH.
2. MAKE SURE THE DESKTOP IS NOT TOUCHING ANY WALLS.
3. MAKE SURE ALL CORDS ARE APPROPRIATE LENGTH TO ACCOMMODATE THE CHANGE IN HEIGHT
4. CHILDREN SHOULD ONLY OPERATE DESK UNDER ADULT SUPERVISION.
5. KEEP LIQUIDS AWAY FROM ELECTRIC COMPONENTS.
6. DO NOT SIT OR STAND ON TABLE.
7. DO NOT CRAWL OR LIE UNDER THE TABLE.
8. WHEN LOWERING TABLE MAKE SURE THERE ARE NO OBJECTS UNDER TABLE.
9. DO NOT OPEN ANY OF THE ELECTRICAL COMPONENTS. THERE IS DANGER OF ELECTRICAL SHOCK.
10. THIS PRODUCT IS DESIGNED WITH A DUTY CYCLE OF 10% (5min. on, 20min. off).
11. IN THE EVENT OF A POWER OUTAGE OR IF THE POWER CORD IS UNPLUGGED, A MANUAL RESET MAY BE NECESSARY. TABLE RESET BELOW.
13. WEIGHT CAPACITY: 217kg (480 lbs.)

TABLE MUST BE RESET PRIOR TO OPERATION!!

TO RESET TABLE HOLD **DOWN ARROW** ON HANDSET FOR 10 SECONDS UNTIL TABLE MOVES DOWN AND STOPS. TABLE WILL MOVE BACK UP SLIGHTLY AND STOP. TABLE IS NOW RESET AND READY TO OPERATE.



USING PERSONAL HEIGHT SETTINGS

1. POSITION TABLE TO DESIRED HEIGHT
2. PUSH "S" KEY AND PUSH NUMBER KEY "1", "2", "OR "3"
3. POSITION HAS BEEN SAVED TO THAT NUMBER KEY
4. TO CHECK MANUALLY, ADJUST TABLE UP OR DOWN AND THEN PRESS NUMBER KEY
5. TABLE WILL MOVE TO SAVED POSITION

THIS TABLE HAS COLLISION SENSORS TO DETECT CHANGES IN FORCE GOING UP OR DOWN.

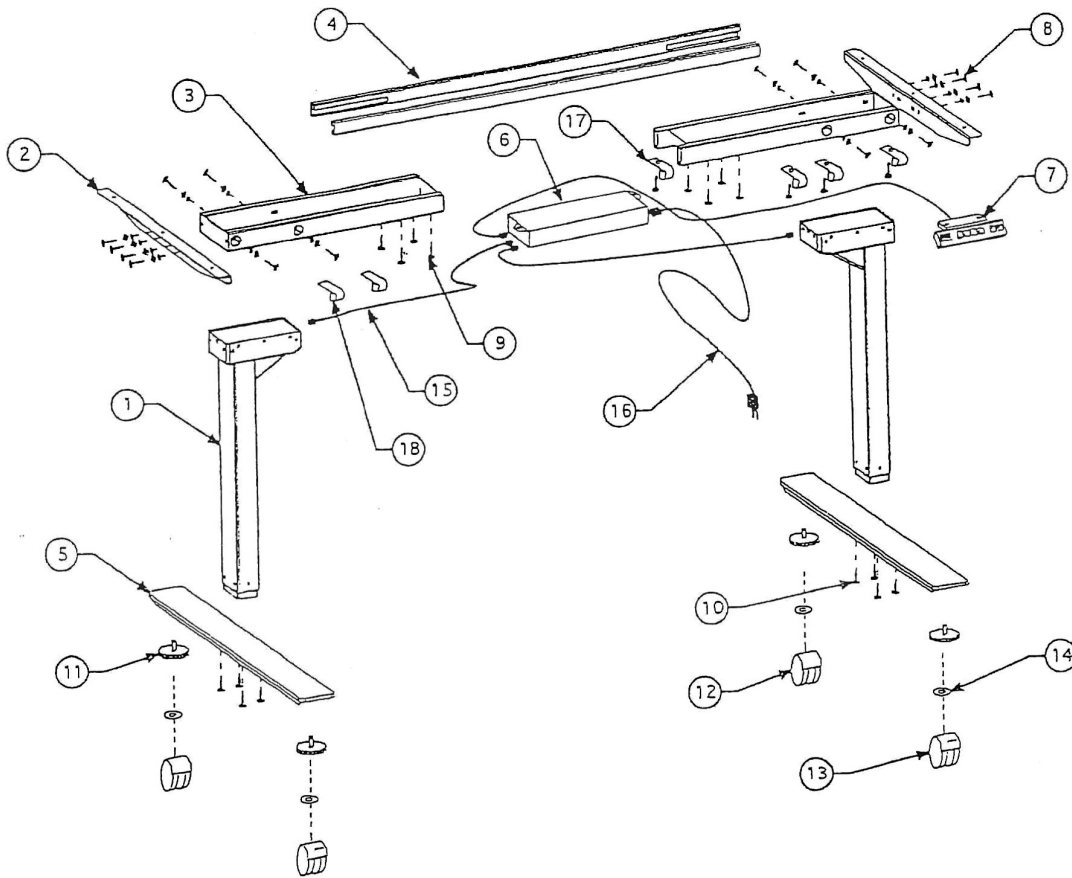
1. IF EXTRA WEIGHT IS APPLIED TO TABLE WHILE MOVING UPWARD, TABLE WILL STOP AND GO DOWN SLIGHTLY. TABLE RESET REQUIRED.
2. IF TABLE HITS OBJECTS WHILE MOVING DOWNWARD, TABLE WILL STOP AND MOVE UPWARD SLIGHTLY. TABLE RESET REQUIRED.

USE-LIABILITY

This height adjustable desk has electric motors and is designed for use in dry work areas. The desk height is adjustable so that it can be positioned at the most ergonomically suitable height. Any other use is at user's risk. Under no circumstance does the manufacturer accept warranty or liability claims for damages caused from improper use or handling of desk frame.

TABLE LIFT PARTS DRAWING

4/2/2019



NOTE: WHEN ORDERING REPLACEMENT PARTS, PLEASE SPECIFY PART NUMBER _____ AND COLOR _____.

<u>PART NO.</u>	<u>DESCRIPTION</u>	<u>QTY. REQ.</u>
TABLIFT-1	LIFT COLUMN	2
TABLIFT-2	TOP MOUNTING BRACKET	2
TABLIFT-3	END RAIL ASSEMBLY	2
TABLIFT-4	RAIL	2
TABLIFT-5	FLOOR BASE	2
TABLIFT-6	CONTROL BOX WITH SCREWS	1
TABLIFT-7	HANDSET WITH SCREWS	1
TABLIFT-8	16mm BOLT, WASHER, AND LOCK WASHER	16
TABLIFT-9	10mm BOLT	8
TABLIFT-10	20mm BOLT	8
TABLIFT-11	GLIDE	4
TABLIFT-12	SCREW IN NON-LOCK CASTER	2
TABLIFT-13	SCREW IN LOCKING CASTER	2
TABLIFT-14	CASTER WASHER	4
TABLIFT-15	LIFT COLUMN CONNECTION CABLE	2
TABLIFT-16	POWER CABLE	1
TABLIFT-17	CABLE CLAMP WITH SCREW	4
TABLIFT-18	ADJUSTABLE ADHESIVE CABLE CLAMP	2

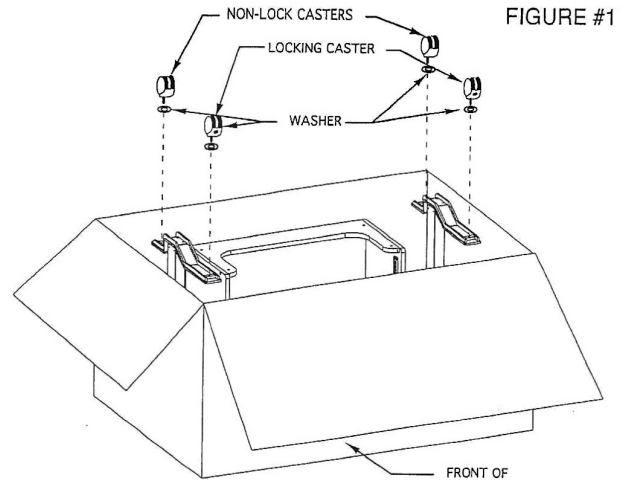
HORN OF AMERICA, INC. : 1-800-882-8845

MODEL 9100A ASSEMBLY INSTRUCTIONS

6/21/20

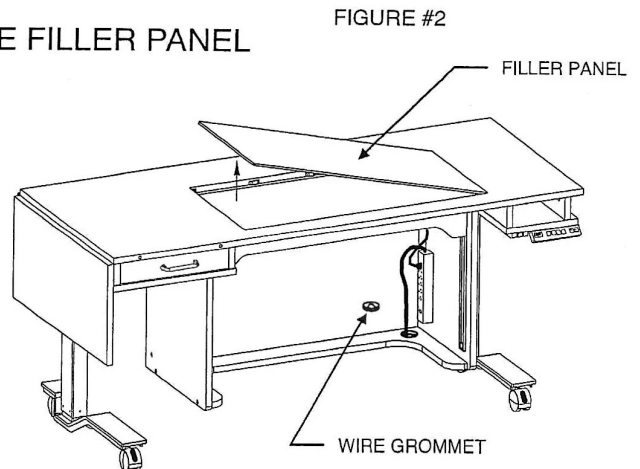
1. UNPACKING CABINET

AFTER OPENING CARTON REMOVE THE WOODEN PACKING FRAME AND DISCARD. INSTALL 4 CASTERS WITH WASHERS AS SHOWN IN FIGURE #1 WITH THE HELP FROM ANOTHER PERSON GENTLY ROLL CABINET TO BACK AND THEN OVER ONTO CASTERS.



2. ROUTE ELECTRIC CORD AND REMOVE FILLER PANEL

PULL OUT WIRING GROMMET AND ROUTE POWER CORD THROUGH HOLE. PUSH WIRING GROMMET BACK IN PLACE. PLUG POWER CORD INTO POWER OUTLET. REMOVE FILLER PANEL BY REMOVING TAPE STRIPS WHEN UNPACKING. TO REMOVE INSERT/FILLER PANEL FROM TOP, PUSH UP FROM BOTTOM SIDE AS SHOWN IN FIGURE #2.



3. REMOVE PACKING FROM ELECTRIC LIFT

REMOVE 2 PACKING BLOCKS LOCATED UNDER LIFT BY REMOVING SCREWS. USE SWITCH AND LOWER PLATFORM. REMOVE 2 FOAM PACKING SPACERS AND DISCARD AS SHOWN IN FIGURE #3.

