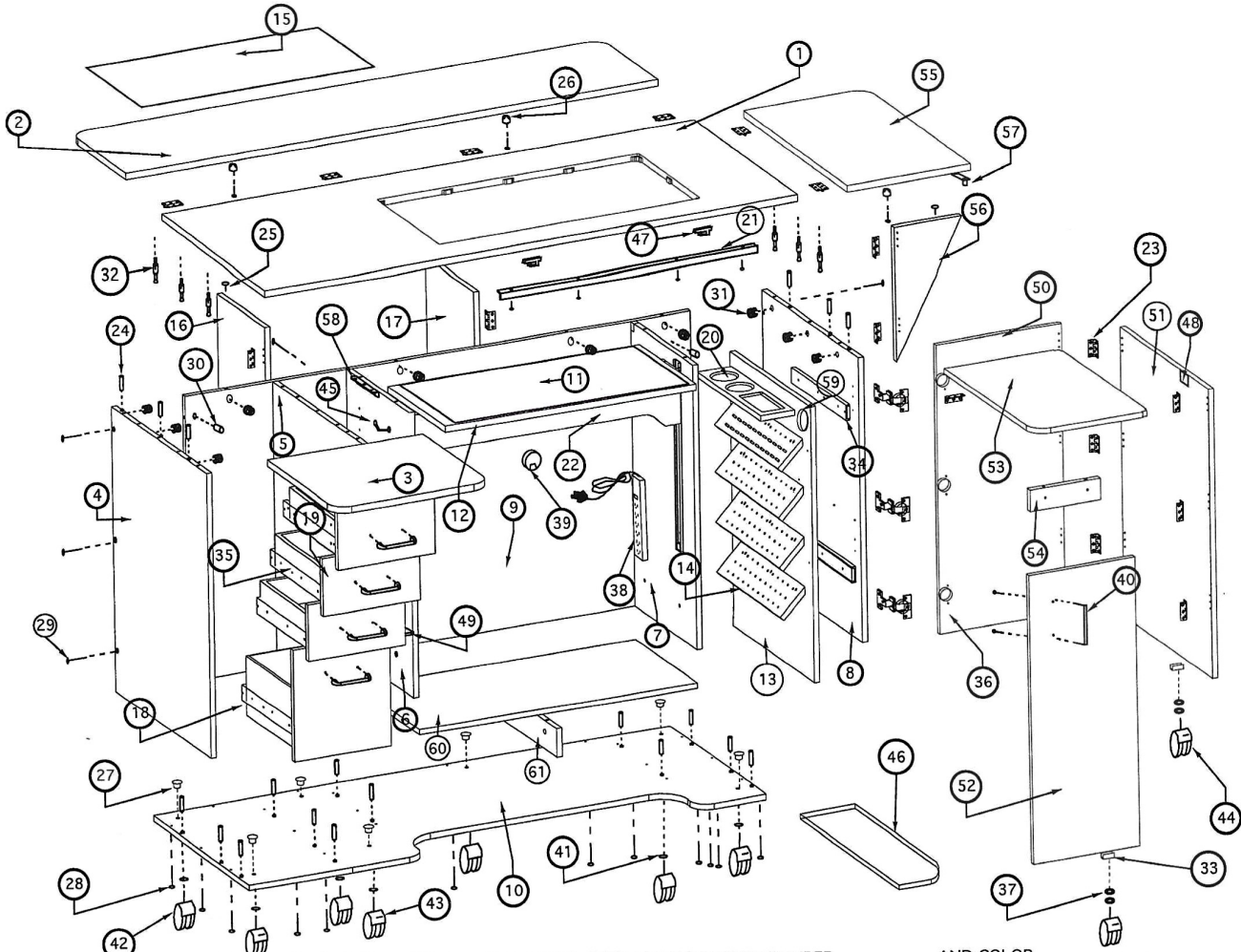


# MODEL 8479A PARTS DRAWING



NOTE: WHEN ORDERING REPLACEMENT PARTS, PLEASE SPECIFY PART NUMBER \_\_\_\_\_ AND COLOR \_\_\_\_\_.

PART NO.	DESCRIPTION	QTY. REQ.	PART NO.	DESCRIPTION	QTY. REQ.
8479A-1	TOP	1	8479A-33	CASTER "U" BRACKET	4
8479A-2	DROP LEAF	1	8479A-34	100# 450MM DRAWER GUIDE (1 SET)	4
8479A-3	DRAWER EXTENSION PLATFORM	1	8479A-35	SC 400MM DRAWER GUIDES (1 SET)	1
8479A-4	LEFT SIDE PANEL	1	8479A-36	270 DEGREE DOOR HINGE W/SCREWS	3
8479A-5	MIDDLE PANEL	1	8479A-37	NYLON CASTER SPACER	4
8479A-6	LEFT LIFT SIDE PANEL	1	8479A-38	ELECTRIC POWER STRIP W/SCREWS	1
8479A-7	RIGHT LIFT SIDE PANEL	1	8479A-39	WIRING GROMMET	1
8479A-8	RIGHT SIDE PANEL	1	8479A-40	PULL W/SCREWS	5
8479A-9	BACK PANEL	1	8479A-41	CASTER WASHER	7
8479A-10	BOTTOM PANEL	1	8479A-42	5/16" THREAD NON-LOCK CASTER	4
8479A-11	NON-SLIP PAD	1	8479A-43	5/16" THREAD LOCKING CASTER	3
8479A-12	MOUNTING BOARD	1	8479A-44	PUSH IN LOCKING CASTER	4
8479A-13	THREAD STORAGE PULL-OUT	1	8479A-45	HOOP HOOKS	6
8479A-14	ANGLED THREAD SHELF	4	8479A-46	FOAM PAD	1
8479A-15	FILLER PANEL	1	8479A-47	MAGNETIC CATCH W/SCREWS	2
8479A-16	LEFT SUPPORT PANEL	1	8479A-48	STRIKE PLATE W/SCREWS	2
8479A-17	RIGHT SUPPORT PANEL	1	8479A-49	ADJUSTABLE SHELF	3
8479A-18	LARGE DRAWER	1	8479A-50	HINGED RIGHT DOOR	1
8479A-19	MEDIUM DRAWER	3	8479A-51	MIDDLE DOOR	1
8479A-20	MAGNETIC TRAY	1	8479A-52	LEFT PULL DOOR	1
8479A-21	TOP SUPPORT RAIL W/SCREWS	1	8479A-53	SERGER TABLE	1
8479A-22	REFER TO MODEL 14 PAPER	1	8479A-54	SERGER CLEAT	1
8479A-23	BUTT HINGE W/SCREWS	20	8479A-55	SWING-UP PLATFORM	1
8479A-24	WOOD DOWEL	32	8479A-56	SWING-UP SUPPORT	1
8479A-25	GLIDE TACK	3	8479A-57	SPRING CLIP	1
8479A-26	NYLON STOP W/SCREW	3	8479A-58	6" METAL BRACKET W/ SCREWS	2
8479A-27	5/16" THREAD INSERT NUT	7	8479A-59	FINGER PULL	1
8479A-28	SCREW #8 X 1 1/8"	26	8479A-60	FOOT SHELF	1
8479A-29	2" CONNECTOR BOLT	10	8479A-61	FOOT SHELF SUPPORT	1
8479A-30	BARREL NUT 5/8"	10			
8479A-31	CAM LOCK	13			
8479A-32	CAM LOCK PIN	13			

HORN OF AMERICA, P.O. BOX 608, SUTTON, WV 26601 PHONE 1-800-882-8845

# MODEL 8479A ASSEMBLY INSTRUCTIONS

## 1. OPEN CABINET AND REMOVE INNER CARTON

LIFT UP RIGHT EXTENSION PANEL AND USE EXTENSION SUPPORT PANEL TO HOLD PLATFORM IN POSITION. NEXT ATTACH SPRING CLIP LOCATED ON BOTTOM SIDE OF EXT. PLATFORM TO HOLE LOCATED ON THE TOP EDGE OF THE DOOR.

REMOVE INNER CARTON AND TAKE OUT ALL PARTS. PULL OUT WIRING GROMMET AND ROUTE POWER CORD THROUGH HOLE. PUSH WIRING GROMMET BACK IN PLACE. PLUG POWER CORD INTO POWER OUTLET. REMOVE FILLER PANEL BY REMOVING TAPE STRIPS WHEN UNPACKING. TO REMOVE INSERT/FILLER PANEL FROM TOP, PUSH UP FROM BOTTOM SIDE AS SHOWN IN FIGURE #1. LIFT UP DROP LEAF AND USE SUPPORT PANEL TO HOLD DROP LEAF IN PLACE.

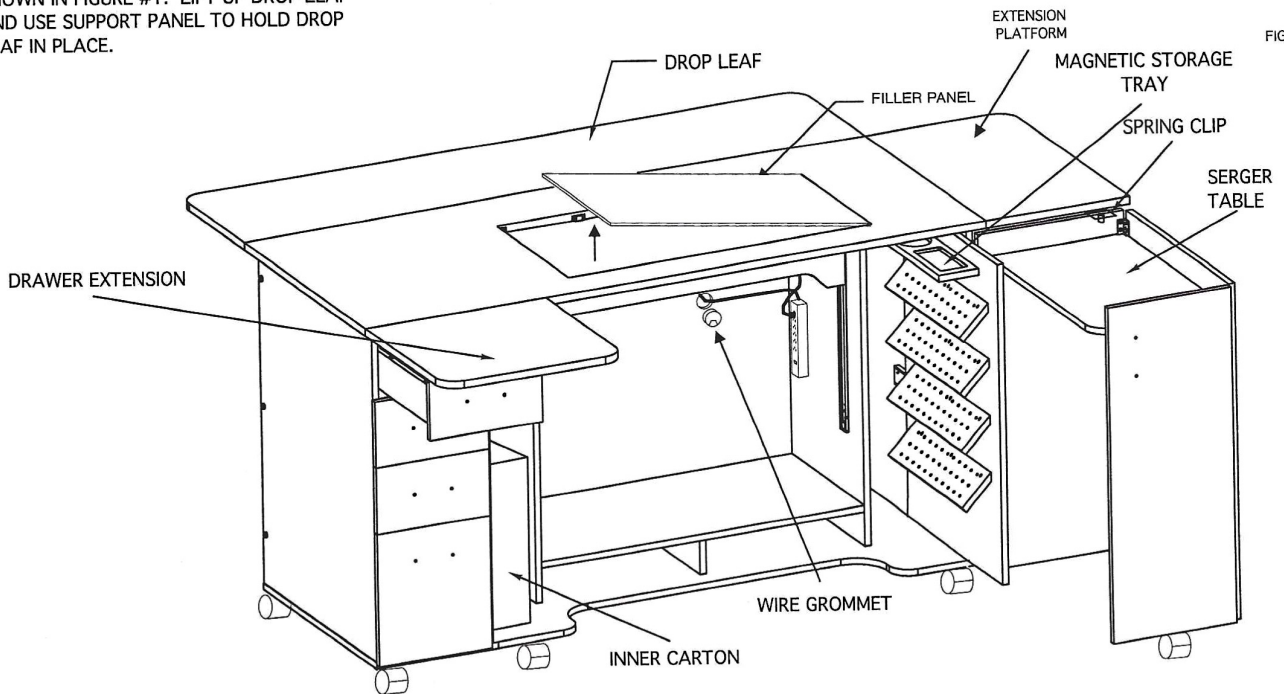


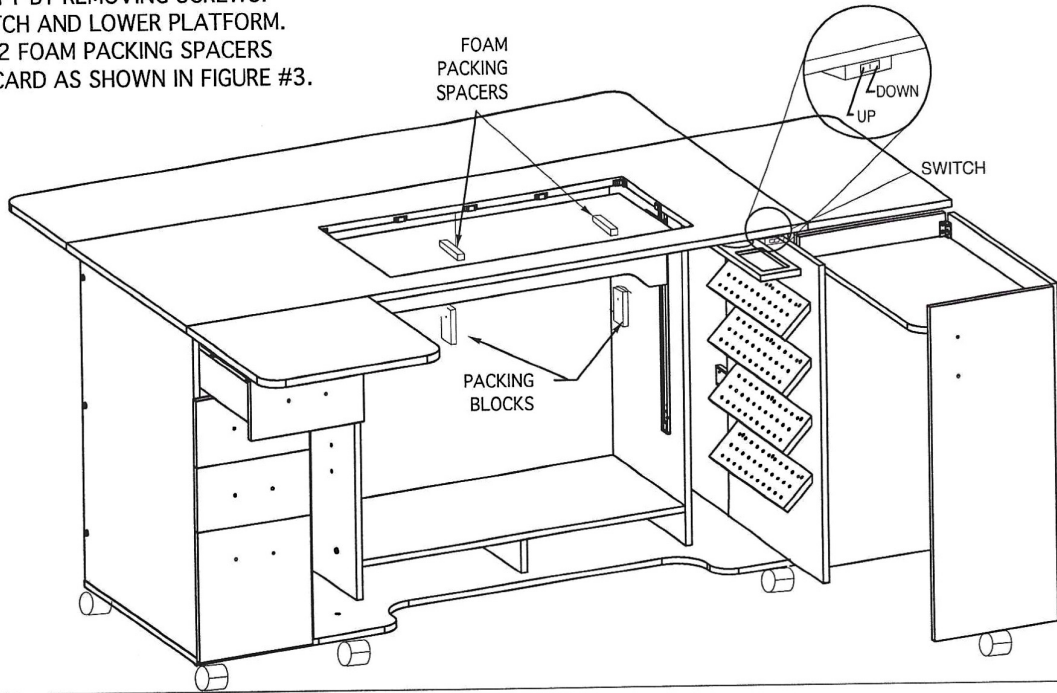
FIGURE #1

# MODEL 8479A ASSEMBLY INSTRUCTIONS

## 2. REMOVE PACKING FROM ELECTRIC LIFT AND OPTIONAL FOOT SHELF REMOVAL

FIGURE #2

REMOVE 2 PACKING BLOCKS LOCATED UNDER LIFT BY REMOVING SCREWS. USE SWITCH AND LOWER PLATFORM. REMOVE 2 FOAM PACKING SPACERS AND DISCARD AS SHOWN IN FIGURE #3.



## 3. EMBROIDERY STORAGE AND THREAD STORAGE PANEL

FIGURE #3

PULL OUT THREAD STORAGE PANEL. INSERT PLASTIC THREAD PEGS IN HOLES ON THREAD SHELVES.

SCREW 2-HANGER HOOKS INTO PRE-DRILLED HOLES ON LEFT LIFT PANEL TO HOLD HOOP. CONTINUE WITH NEXT SMALLEST HOOP(S) AS SHOWN IN FIGURE #4.

