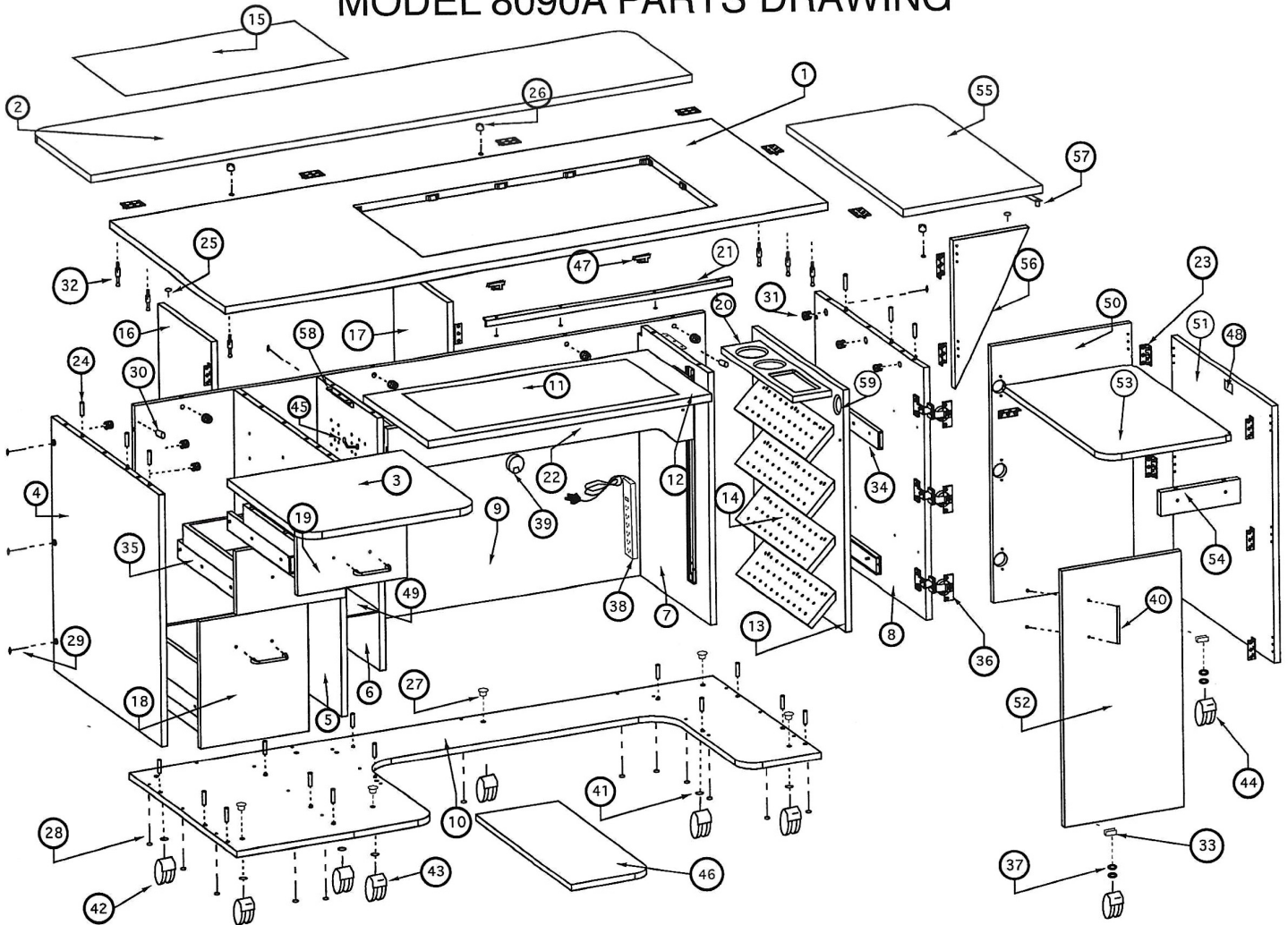


MODEL 8090A PARTS DRAWING



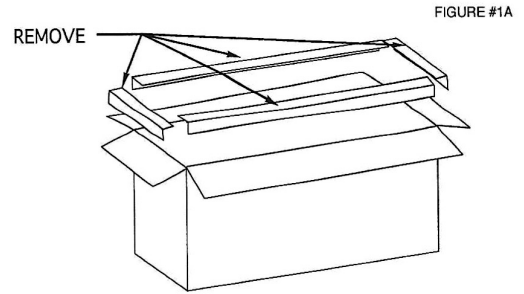
NOTE: WHEN ORDERING REPLACEMENT PARTS, PLEASE SPECIFY PART NUMBER _____ AND COLOR _____

PART NO.	DESCRIPTION	QTY. REQ.	PART NO.	DESCRIPTION	QTY. REQ.
8090A-1	TOP	1	8090A-31	CAM LOCK	13
8090A-2	DROP LEAF	1	8090A-32	CAM LOCK PIN	13
8090A-3	DRAWER EXTENSION PLATFORM	1	8090A-33	CASTER "U" BRACKET	4
8090A-4	LEFT SIDE PANEL	1	8090A-34	100# 450MM DRAWER GUIDE (1 SET)	1
8090A-5	MIDDLE PANEL	1	8090A-35	SC 400MM DRAWER GUIDES (1 SET)	3
8090A-6	LEFT LIFT SIDE PANEL	1	8090A-36	270 DEGREE DOOR HINGE W/SCREWS	3
8090A-7	RIGHT LIFT SIDE PANEL	1	8090A-37	NYLON CASTER SPACER	4
8090A-8	RIGHT SIDE PANEL	1	8090A-38	ELECTRIC POWER STRIP W/SCREWS	1
8090A-9	BACK PANEL	1	8090A-39	WIRING GROMMET	1
8090A-10	BOTTOM PANEL	1	8090A-40	PULL W/SCREWS	4
8090A-11	NON-SLIP PAD	1	8090A-41	CASTER WASHER	7
8090A-12	MOUNTING BOARD	1	8090A-42	5/16" THREAD NON-LOCK CASTER	4
8090A-13	THREAD STORAGE PULL-OUT	1	8090A-43	5/16" THREAD LOCKING CASTER	3
8090A-14	ANGLED THREAD SHELF	4	8090A-44	PUSH IN LOCKING CASTER	4
8090A-15	FILLER PANEL	1	8090A-45	HOOP HOOKS	6
8090A-16	LEFT SUPPORT PANEL	1	8090A-46	FOAM PAD	1
8090A-17	RIGHT SUPPORT PANEL	1	8090A-47	MAGNETIC CATCH W/SCREWS	2
8090A-18	LARGE DRAWER	1	8090A-48	STRIKE PLATE W/SCREWS	2
8090A-19	MEDIUM DRAWER	2	8090A-49	ADJUSTABLE SHELF	3
8090A-20	MAGNETIC TRAY	1	8090A-50	HINGED RIGHT DOOR	1
8090A-21	TOP SUPPORT RAIL W/SCREWS	1	8090A-51	MIDDLE DOOR	1
8090A-22	REFER TO MODEL 14 PAPER	1	8090A-52	LEFT PULL DOOR	1
8090A-23	BUTT HINGE W/SCREWS	20	8090A-53	SERGER TABLE	1
8090A-24	WOOD DOWEL	32	8090A-54	SERGER CLEAT	1
8090A-25	GLIDE TACK	3	8090A-55	SWING-UP PLATFORM	1
8090A-26	NYLON STOP W/SCREW	3	8090A-56	SWING-UP SUPPORT	1
8090A-27	5/16" THREAD INSERT NUT	7	8090A-57	SPRING CLIP	1
8090A-28	SCREW #8 X 1 1/8"	26	8090A-58	6" METAL BRACKET W/ SCREWS	2
8090A-29	2" CONNECTOR BOLT	6	8090A-59	FINGER PULL	1
8090A-30	BARREL NUT 5/8"	6			

MODEL 8090A ASSEMBLY INSTRUCTIONS

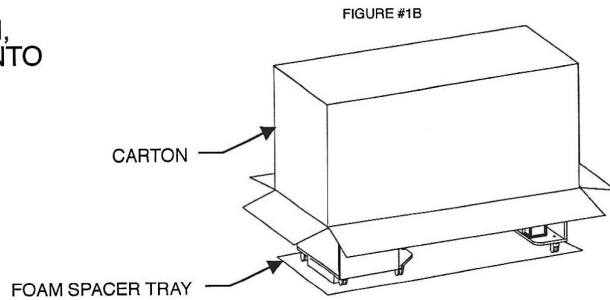
1. UNPACKING CABINET

AFTER OPENING CARTON REMOVE
BOTTOM CORNER PIECES ONLY.
LEAVE FOAM SPACER TRAY.



WITH THE HELP OF ANOTHER PERSON,
SLOWLY LOWER BACK OF CABINET ONTO
FLOOR AND THEN ROTATE UPRIGHT
AS SHOWN IN FIGURE #1A.

LIFT CARTON OFF OF CABINET. LIFT
CABINET OFF OF FOAM SPACER TRAY
AS SHOWN IN FIGURE #1B



2. OPEN CABINET AND REMOVE INNER CARTON

LIFT UP RIGHT EXTENSION PANEL AND USE
EXTENSION SUPPORT PANEL TO HOLD PLATFORM
IN POSITION. NEXT ATTACH SPRING CLIP LOCATED ON
BOTTOM SIDE OF EXT. PLATFORM TO HOLE LOCATED
ON THE TOP EDGE OF THE DOOR.

REMOVE INNER CARTON AND
TAKE OUT ALL PARTS. PULL OUT WIRING
GROMMET AND ROUTE POWER CORD
THROUGH HOLE. PUSH WIRING GROMMET
BACK IN PLACE. PLUG POWER CORD INTO
POWER OUTLET. REMOVE FILLER PANEL BY
REMOVING TAPE STRIPS WHEN UNPACKING.
TO REMOVE INSERT/FILLER PANEL FROM
TOP, PUSH UP FROM BOTTOM SIDE AS
SHOWN IN FIGURE #2. LIFT UP DROP LEAF
AND USE SUPPORT PANEL TO HOLD DROP
LEAF IN PLACE.

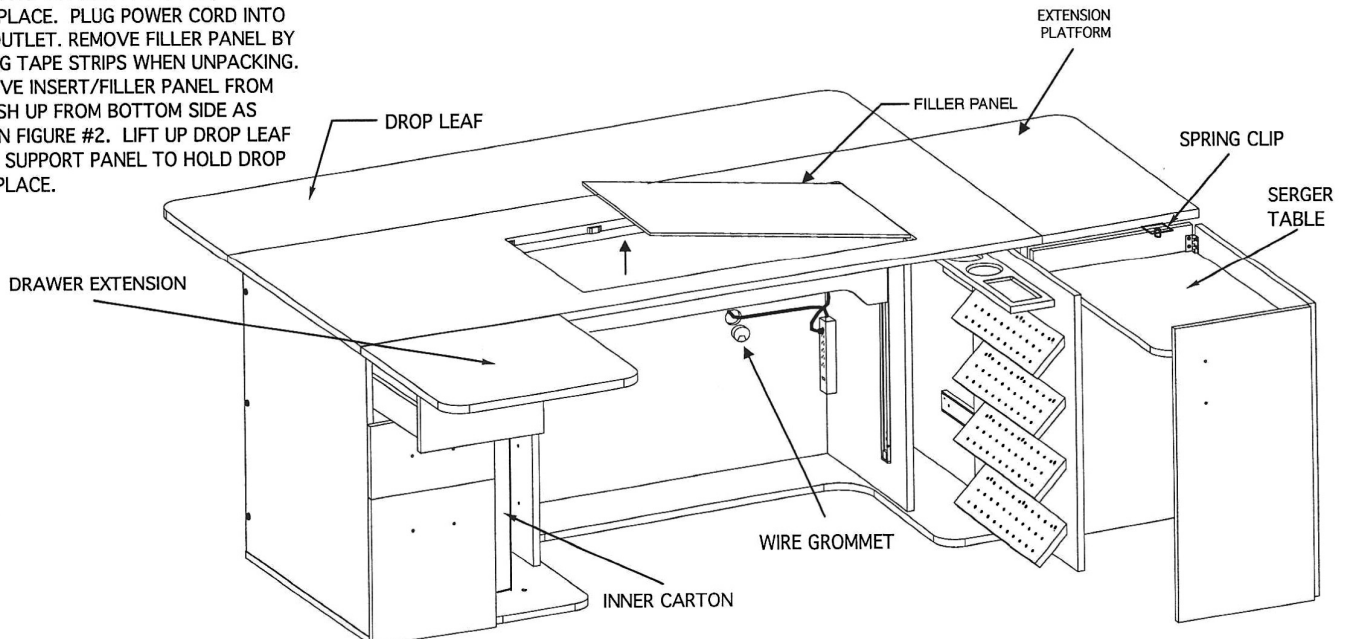


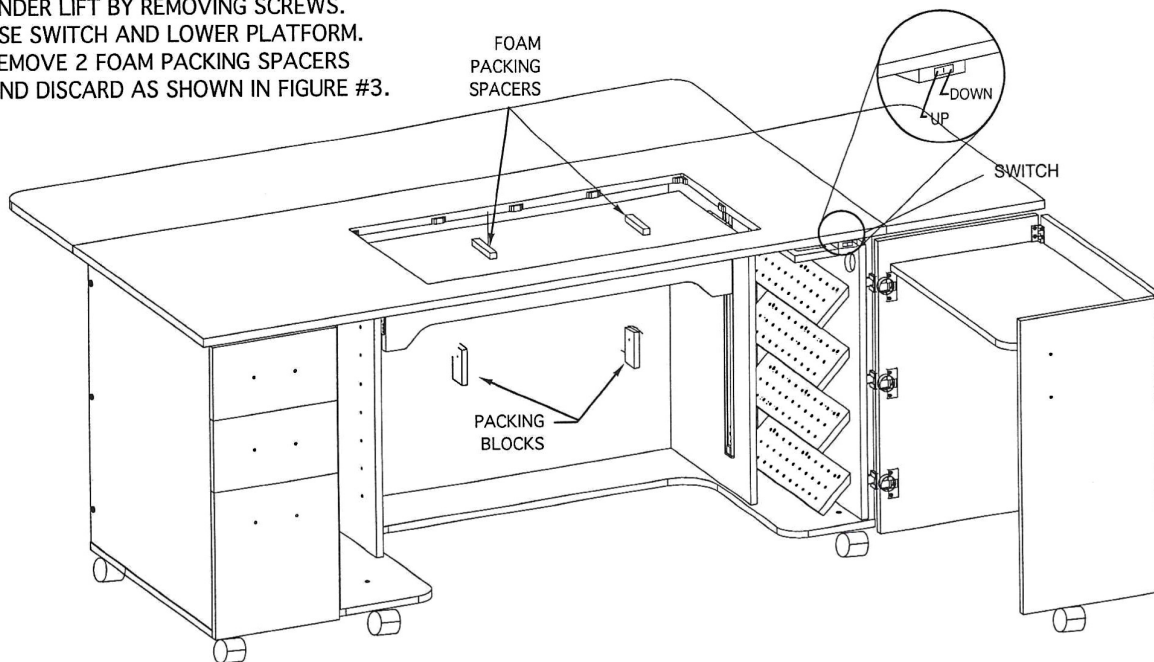
FIGURE #2

MODEL 8090A ASSEMBLY INSTRUCTIONS

3. REMOVE PACKING FROM ELECTRIC LIFT AND OPTIONAL FOOT SHELF REMOVAL

FIGURE #3

REMOVE 2 PACKING BLOCKS LOCATED UNDER LIFT BY REMOVING SCREWS. USE SWITCH AND LOWER PLATFORM. REMOVE 2 FOAM PACKING SPACERS AND DISCARD AS SHOWN IN FIGURE #3.

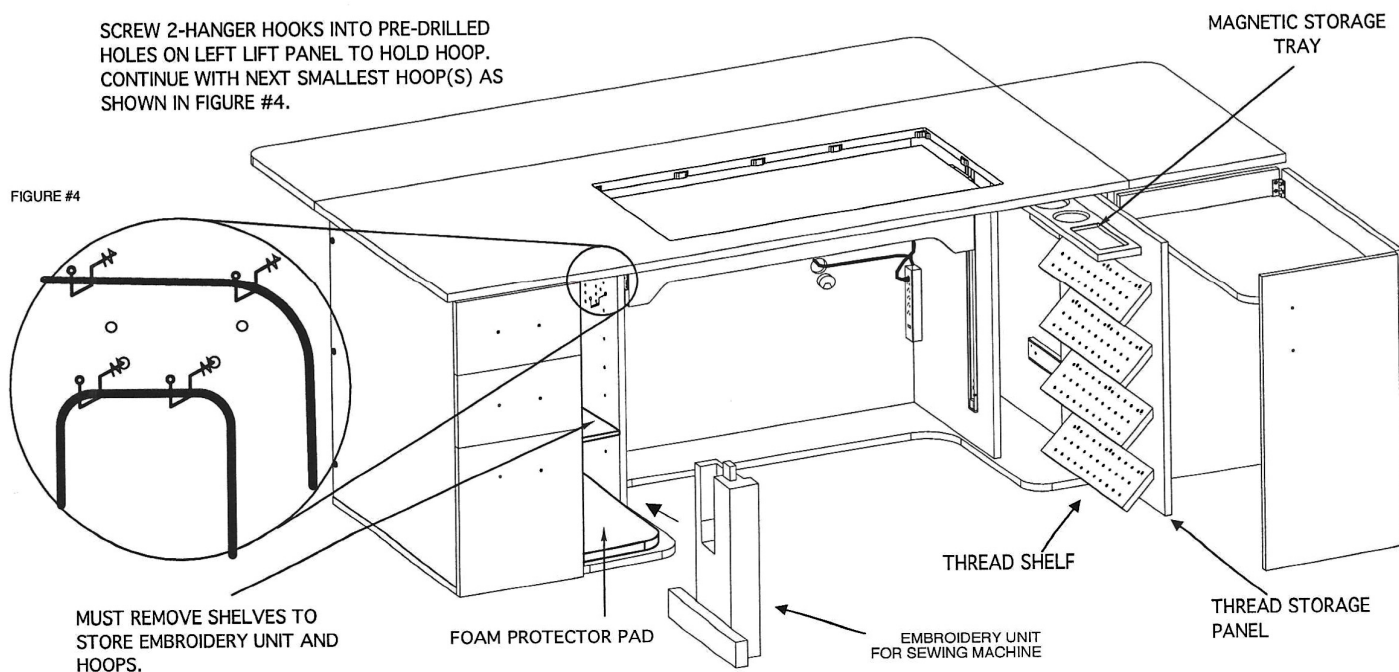


4. EMBROIDERY STORAGE AND THREAD STORAGE PANEL

PULL OUT THREAD STORAGE PANEL. INSERT PLASTIC THREAD PEGS IN HOLES ON THREAD SHELVES.

SCREW 2-HANGER HOOKS INTO PRE-DRILLED HOLES ON LEFT LIFT PANEL TO HOLD HOOP. CONTINUE WITH NEXT SMALLEST HOOP(S) AS SHOWN IN FIGURE #4.

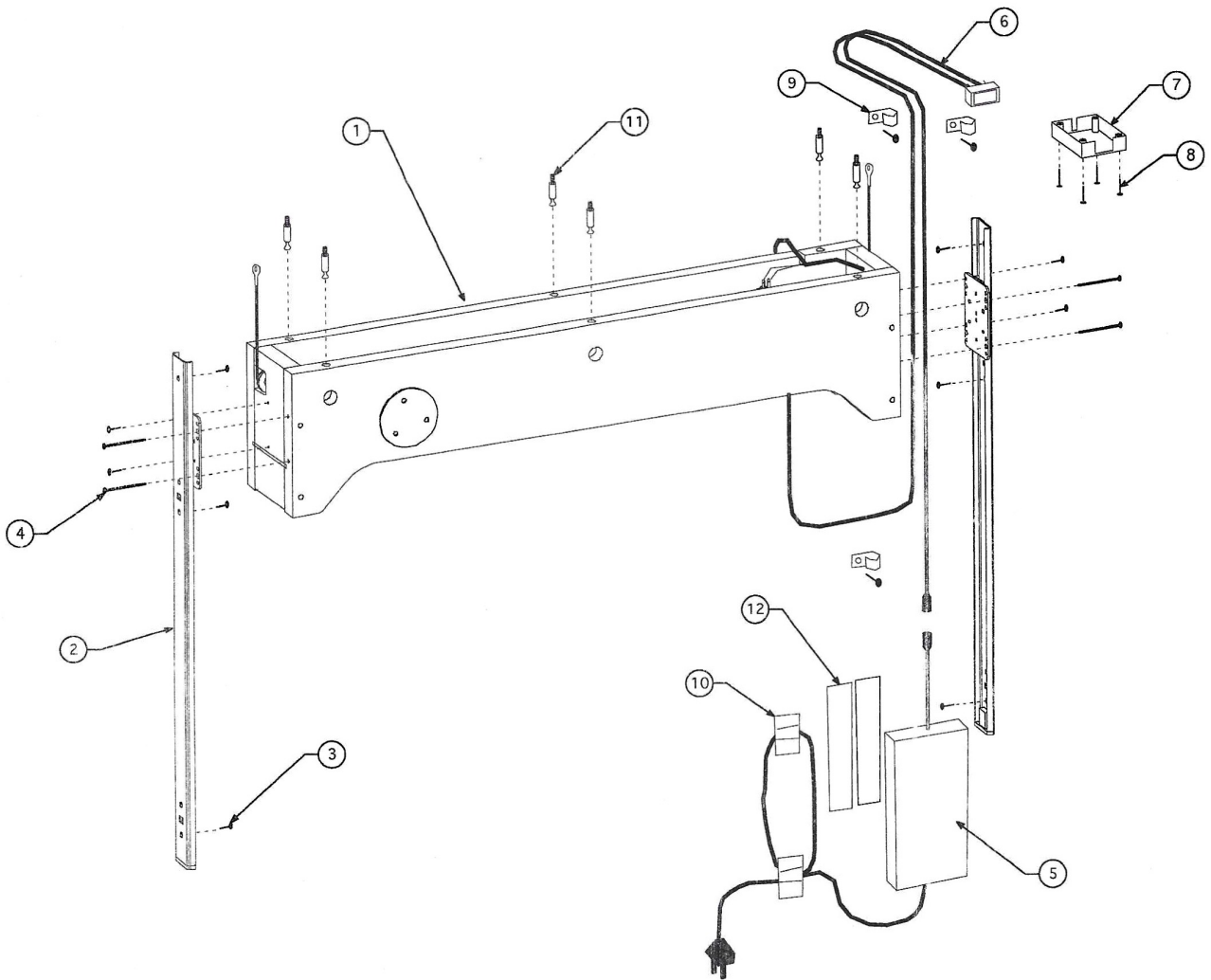
FIGURE #4



MUST REMOVE SHELVES TO STORE EMBROIDERY UNIT AND HOOPS.

MODEL: 18A
ELECTRIC LIFT
PARTS DRAWING

4/4/2019



NOTE: WHEN ORDERING REPLACEMENT PARTS, PLEASE SPECIFY PART NUMBER _____ AND COLOR _____ . .

PART NO.	PART DESCRIPTION	QTY. REQ.
12A-1	ELECTRIC LIFT UNIT COMPLETE	1
12A-2	VERTICAL SLIDE RAIL	2
12A-3	VERTICAL SLIDE RAIL SCREW	10
12A-4	50mm CONFIRMATE SCREW	4
12A-5	POWER TRANSFORMER	1
12A-6	MAIN WIRING HARNESS WITH SWITCH	1
12A-7	SWITCH ENCLOSURE	1
12A-8	SWITCH ENCLOSURE SCREW	4
12A-9	CABLE CLAMP W/SCREW	3
12A-10	ADJUSTABLE ADHESIVE CABLE CLAMP	2
12A-11	CAM LOCK PIN	6
12A-12	VELCRO STRIP	2