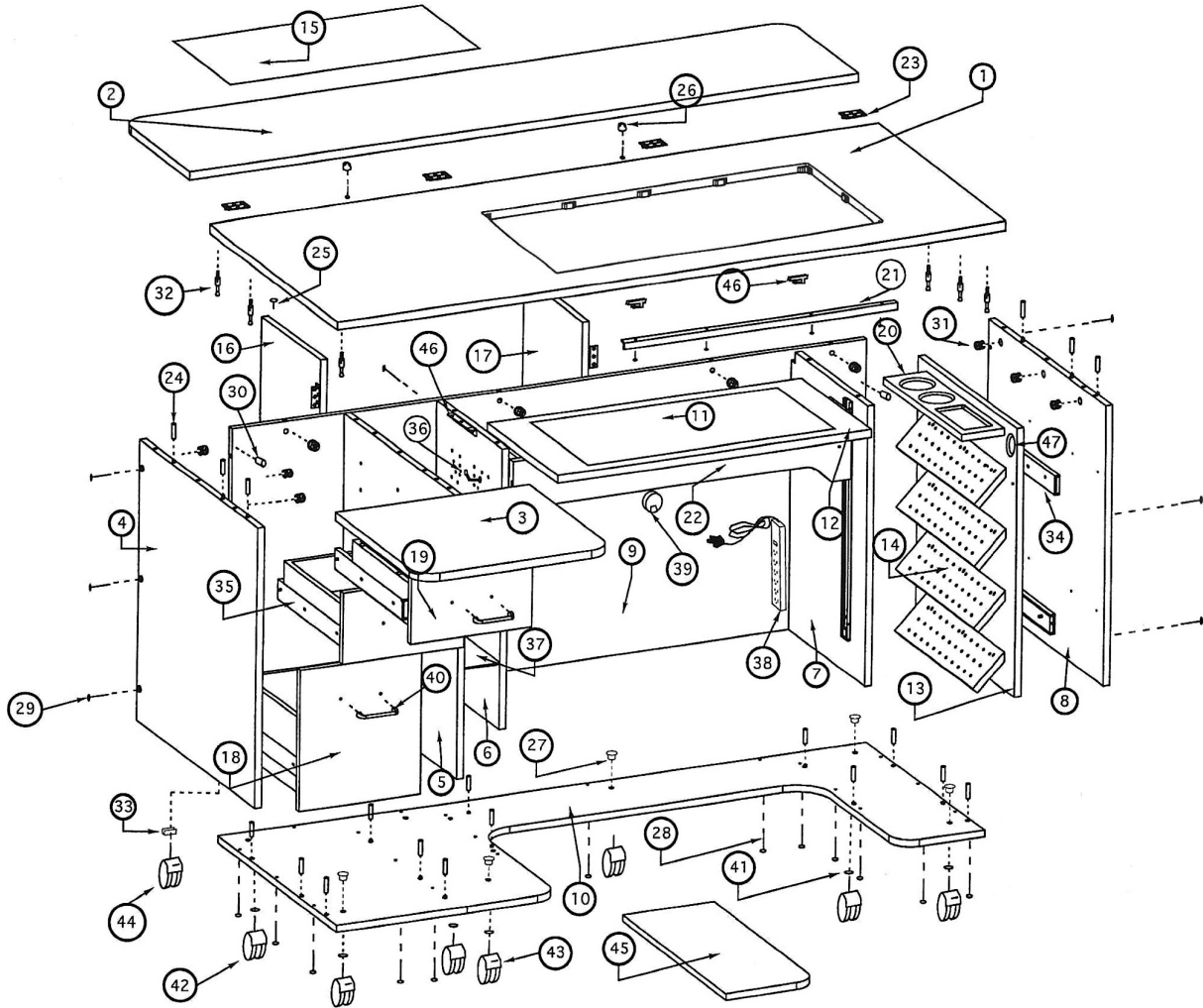


MODEL 8080A PARTS DRAWING

8/20/2019



NOTE: WHEN ORDERING REPLACEMENT PARTS, PLEASE SPECIFY PART NUMBER _____ AND COLOR _____.

PART NO.	DESCRIPTION	QTY. REQ.	PART NO.	DESCRIPTION	QTY. REQ.
8080A-1	TOP	1	8080A-23	BUTT HINGE W/SCREWS	8
8080A-2	DROP LEAF	1	8080A-24	WOOD DOWEL	32
8080A-3	DRAWER EXTENSION PLATFORM	1	8080A-25	GLIDE TACK	3
8080A-4	LEFT SIDE PANEL	1	8080A-26	NYLON STOP W/SCREW	3
8080A-5	MIDDLE PANEL	1	8080A-27	5/16" THREAD INSERT NUT	7
8080A-6	LEFT LIFT SIDE PANEL	1	8080A-28	SCREW #8 X 1 1/8"	26
8080A-7	RIGHT LIFT SIDE PANEL	1	8080A-29	2" CONNECTOR BOLT	6
8080A-8	RIGHT SIDE PANEL	1	8080A-30	BARREL NUT 5/8"	6
8080A-9	BACK PANEL	1	8080A-31	CAM LOCK	13
8080A-10	BOTTOM PANEL	1	8080A-32	CAM LOCK PIN	13
8080A-11	NON-SLIP PAD	1	8080A-33	CASTER "U" BRACKET	2
8080A-12	MOUNTING BOARD	1	8080A-34	100# 450MM DRAWER GUIDE (1 SET)	1
8080A-13	THREAD STORAGE PULL-OUT	1	8080A-35	SC 400MM DRAWER GUIDES (1 SET)	3
8080A-14	ANGLED THREAD SHELF	4	8080A-36	HOOP HOOKS	6
8080A-15	FILLER PANEL	1	8080A-37	ADJUSTABLE SHELF	3
8080A-16	LEFT SUPPORT PANEL	1	8080A-38	ELECTRIC POWER STRIP W/SCREWS	1
8080A-17	RIGHT SUPPORT PANEL	1	8080A-39	WIRING GROMMET	1
8080A-18	LARGE DRAWER	1	8080A-40	PULL W/SCREWS	3
8080A-19	MEDIUM DRAWER	2	8080A-41	CASTER WASHER	7
8080A-20	MAGNETIC TRAY	1	8080A-42	5/16" THREAD NON-LOCK CASTER	4
8080A-21	TOP SUPPORT RAIL W/SCREWS	1	8080A-43	5/16" THREAD LOCKING CASTER	3
8080A-22	REFER TO MODEL 14 PAPER	1	8080A-44	PUSH IN LOCKING CASTER	2
			8080A-45	FOAM PAD	1
			8080A-46	6" METAL BRACKET W/ SCREWS	2
			8080A-47	FINGER PULL	1

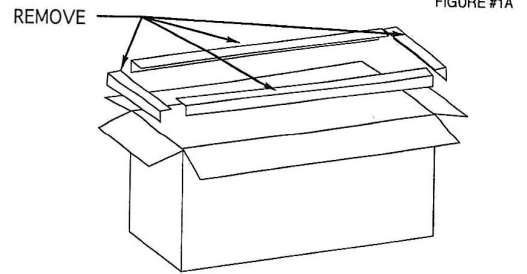
HORN OF AMERICA, P.O. BOX 608, SUTTON, WV 26601

PHONE 1-800-882-8845

MODEL 8080A ASSEMBLY INSTRUCTIONS

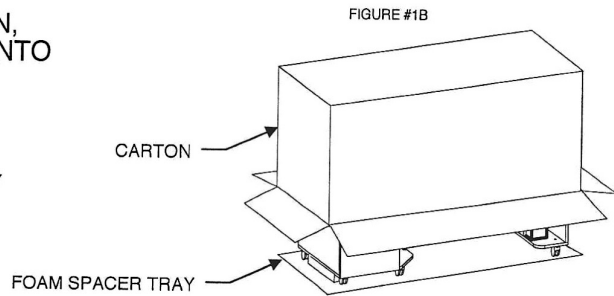
1. UNPACKING CABINET

AFTER OPENING CARTON REMOVE BOTTOM CORNER PIECES ONLY. LEAVE FOAM SPACER TRAY.



WITH THE HELP OF ANOTHER PERSON, SLOWLY LOWER BACK OF CABINET ONTO FLOOR AND THEN ROTATE UPRIGHT AS SHOWN IN FIGURE #1A.

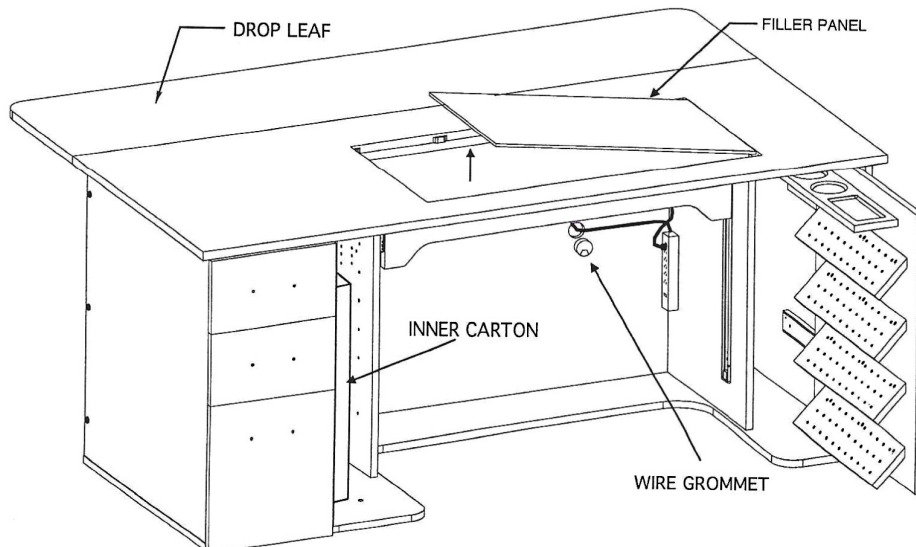
LIFT CARTON OFF OF CABINET. LIFT CABINET OFF OF FOAM SPACER TRAY AS SHOWN IN FIGURE #1B



2. OPEN CABINET AND REMOVE INNER CARTON

REMOVE INNER CARTON AND TAKE OUT ALL PARTS. PULL OUT WIRING GROMMET AND ROUTE POWER CORD THROUGH HOLE. PUSH WIRING GROMMET BACK IN PLACE. PLUG POWER CORD INTO POWER OUTLET. REMOVE FILLER PANEL BY REMOVING TAPE STRIPS WHEN UNPACKING. TO REMOVE INSERT/FILLER PANEL FROM TOP, PUSH UP FROM BOTTOM SIDE AS SHOWN IN FIGURE #2. LIFT UP DROP LEAF AND USE SUPPORT PANEL TO HOLD DROP LEAF IN PLACE.

FIGURE #2

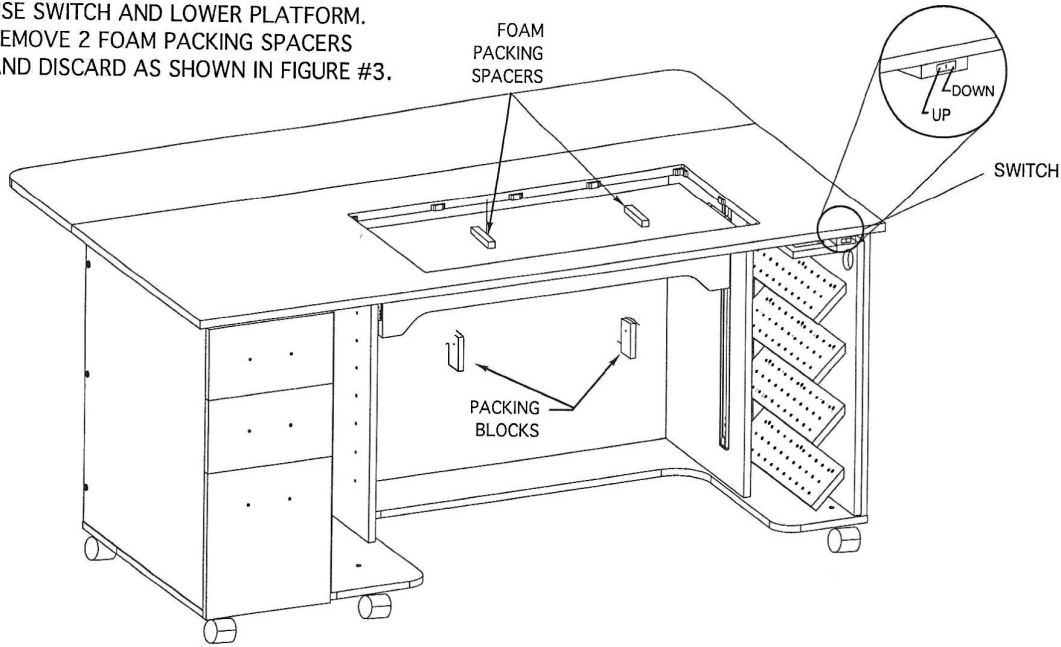


MODEL 8080A ASSEMBLY INSTRUCTIONS

3. REMOVE PACKING FROM ELECTRIC LIFT AND OPTIONAL FOOT SHELF REMOVAL

FIGURE #3

REMOVE 2 PACKING BLOCKS LOCATED UNDER LIFT BY REMOVING SCREWS. USE SWITCH AND LOWER PLATFORM. REMOVE 2 FOAM PACKING SPACERS AND DISCARD AS SHOWN IN FIGURE #3.

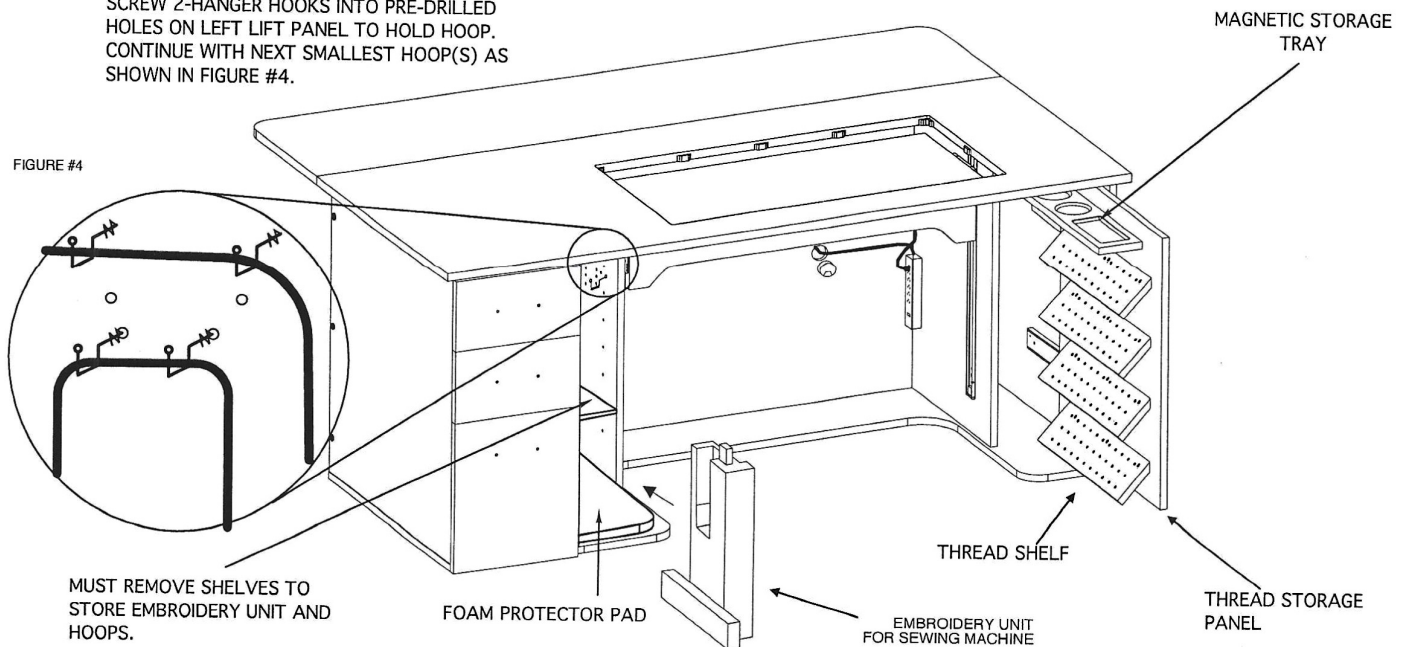


4. EMBROIDERY STORAGE AND THREAD STORAGE PANEL

PULL OUT THREAD STORAGE PANEL.
INSERT PLASTIC THREAD PEGS IN HOLES
ON THREAD SHELVES.

SCREW 2-HANGER HOOKS INTO PRE-DRILLED
HOLES ON LEFT LIFT PANEL TO HOLD HOOP.
CONTINUE WITH NEXT SMALLEST HOOP(S) AS
SHOWN IN FIGURE #4.

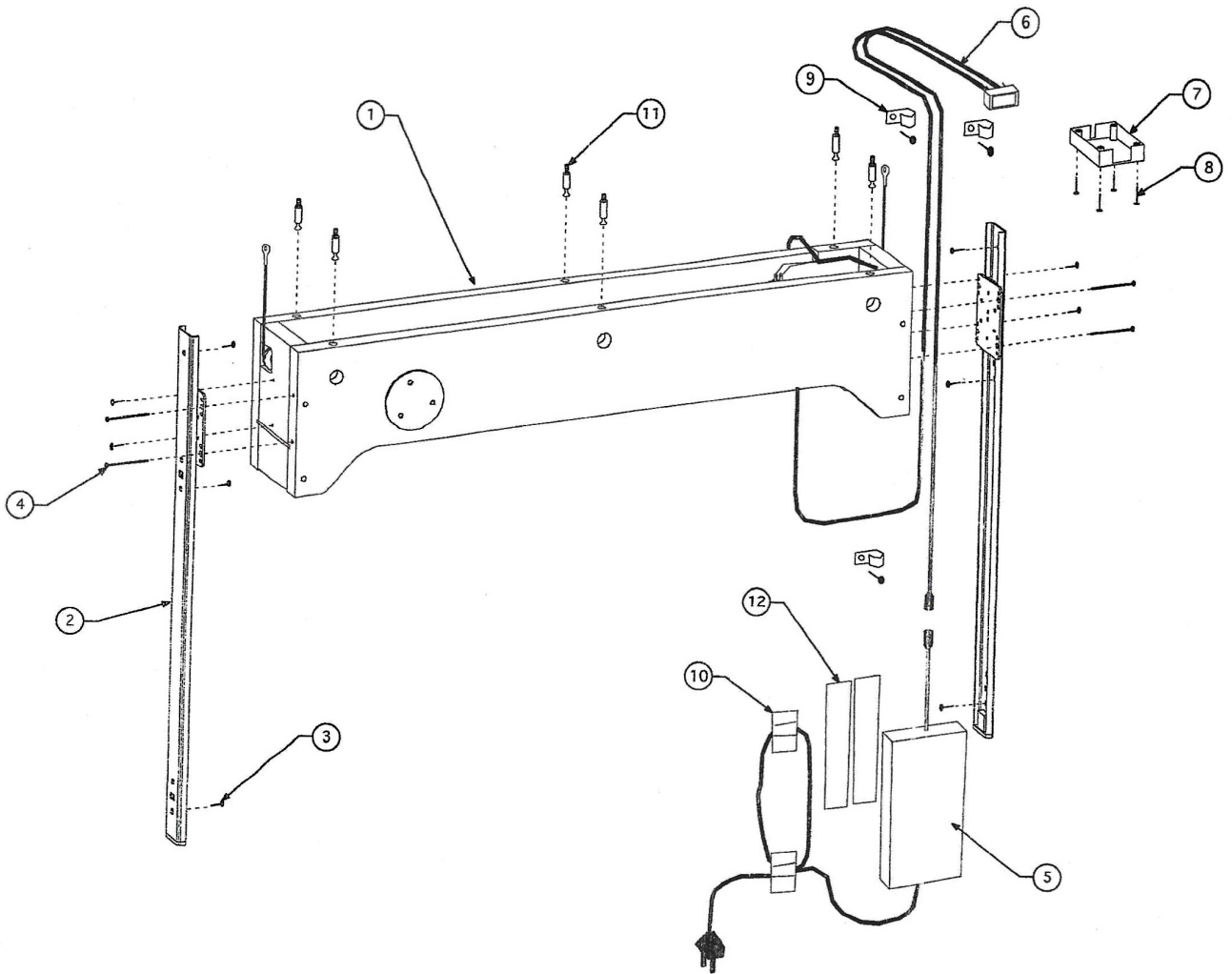
FIGURE #4



MUST REMOVE SHELVES TO
STORE EMBROIDERY UNIT AND
HOOPS.

MODEL: 18A
ELECTRIC LIFT
PARTS DRAWING

4/4/2019



NOTE: WHEN ORDERING REPLACEMENT PARTS, PLEASE SPECIFY PART NUMBER _____ AND COLOR _____ .

PART NO.	PART DESCRIPTION	QTY. REQ.
12A-1	ELECTRIC LIFT UNIT COMPLETE	1
12A-2	VERTICAL SLIDE RAIL	2
12A-3	VERTICAL SLIDE RAIL SCREW	10
12A-4	50mm CONFIRMATE SCREW	4
12A-5	POWER TRANSFORMER	1
12A-6	MAIN WIRING HARNESS WITH SWITCH	1
12A-7	SWITCH ENCLOSURE	1
12A-8	SWITCH ENCLOSURE SCREW	4
12A-9	CABLE CLAMP W/SCREW	3
12A-10	ADJUSTABLE ADHESIVE CABLE CLAMP	2
12A-11	CAM LOCK PIN	6
12A-12	VELCRO STRIP	2

HORN OF AMERICA, INC. : 1-800-882-8845