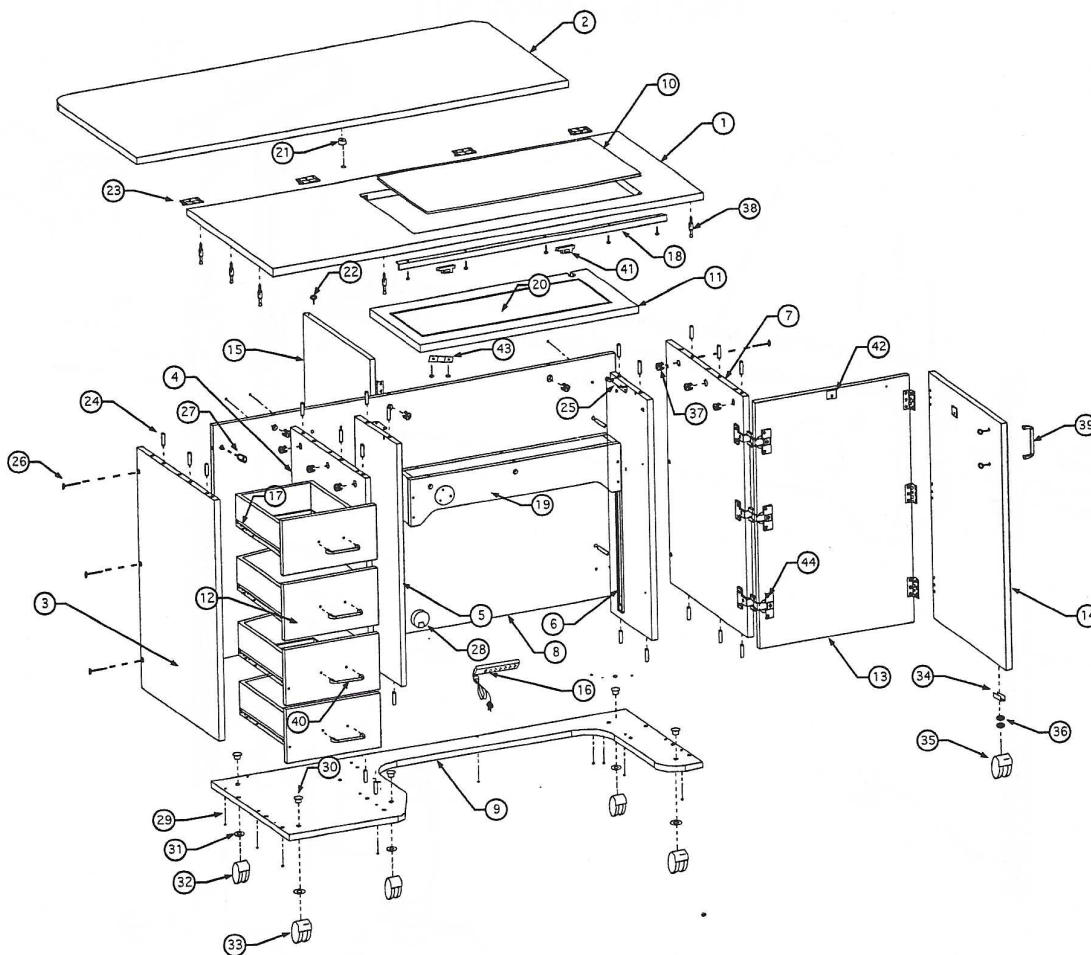


# MODEL 5400A (EL) PARTS DRAWING ELECTRIC LIFT



NOTE: WHEN ORDERING REPLACEMENT PARTS, PLEASE SPECIFY PART NUMBER \_\_\_\_\_ AND COLOR \_\_\_\_\_ .

PART NO.	DESCRIPTION	QTY. REQ.	PART NO.	DESCRIPTION	QTY. REQ.
5400A-1	TOP	1	5400A-23	BUTT HINGE W/SCREWS	9
5400A-2	DROP LEAF	1	5400A-24	WOODEN DOWEL	32
5400A-3	LEFT SIDE PANEL	1	5400A-25	2" METAL BRACKET W/SCREWS	2
5400A-4	MIDDLE PANEL	1	5400A-26	2" CONNECTOR BOLT	6
5400A-5	LEFT LIFT PANEL	1	5400A-27	BARREL NUT 5/8"	6
5400A-6	RIGHT LIFT PANEL	1	5400A-28	WIRING GROMMET	1
5400A-7	RIGHT SIDE PANEL	1	5400A-29	SCREW #8 X 1 1/8 PWH	26
5400A-8	BACK	1	5400A-30	5/16" THREAD INSERT NUT	5
5400A-9	BOTTOM PANEL	1	5400A-31	CASTER WASHER	5
5400A-10	FILLER PANEL	1	5400A-32	5/16" THREAD NON-LOCK CASTER	3
5400A-11	MOUNTING PLATFORM	1	5400A-33	5/16" THREAD LOCKING CASTER	2
5400A-12	DRAWER	4	5400A-34	CASTER "U" BRACKET	2
5400A-13	RIGHT HINGE DOOR	1	5400A-35	PUSH IN LOCKING CASTER	2
5400A-14	RIGHT PULL DOOR	1	5400A-36	NYLON CASTER SPACER	2
5400A-15	SUPPORT PANEL	1	5400A-37	CAM LOCK	12
5400A-16	POWER STRIP	1	5400A-38	CAMLOCK PIN	12
5400A-17	DRAWER SLIDE SET	4	5400A-39	DOOR PULL W/SCREW	1
5400A-18	TOP SUPPORT RAIL W/SCREWS	1	5400A-40	DRAWER PULL W/SCREWS	4
5400A-19	REFER TO MODEL 12 PAPER WORK	1	5400A-41	MAGNETIC CATCH W/SCREWS	2
5400A-20	NON-SLIP PAD	1	5400A-42	MAGNETIC STRKE W/SCREW	2
5400A-21	NYLON STOP W/SCREW	1	5400A-43	RETAINER RECIEVER W/SCREWS	1
5400A-22	GLIDE TACK	1	5400A-44	270 DOOR HINGE W/SCREWS	3

# MODEL 5400A EL ASSEMBLY INSTRUCTIONS

FIGURE #1

## 1. CASTER INSTALLATION

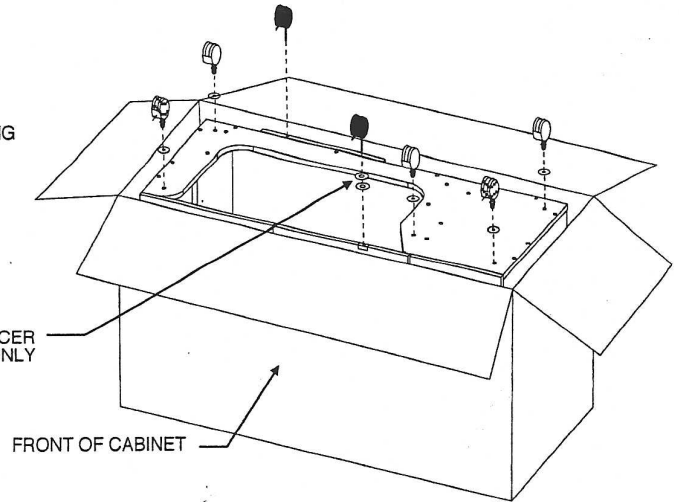
AFTER OPENING CARTON REMOVE THE WOODEN PACKING FRAME AND CARDBOARD CORNER PROTECTORS.

- 3-  THREAD IN CASTER
- 2-  THREAD IN LOCKING CASTER
- 5-  CASTER WASHER
- 2-  PUSH IN LOCKING CASTER
- 2-  NYLON CASTER SPACER

INSTALL CASTERS INTO CABINET AS SHOWN IN FIGURE #1 REFER TO NOTE BELOW FOR INSTALLING CASTERS TO LARGE DOOR PANEL.

**NOTE: WASHER MUST BE USED ON ALL THREAD IN CASTERS.**

NYLON CASTER SPACER  
LARGE DOOR ONLY



**NOTE: FOR DOOR PANEL TO CLOSE PROPERLY, NYLON CASTER SPACERS HAVE BEEN PROVIDED AND ARE TO BE INSTALLED AS FOLLOWS.**

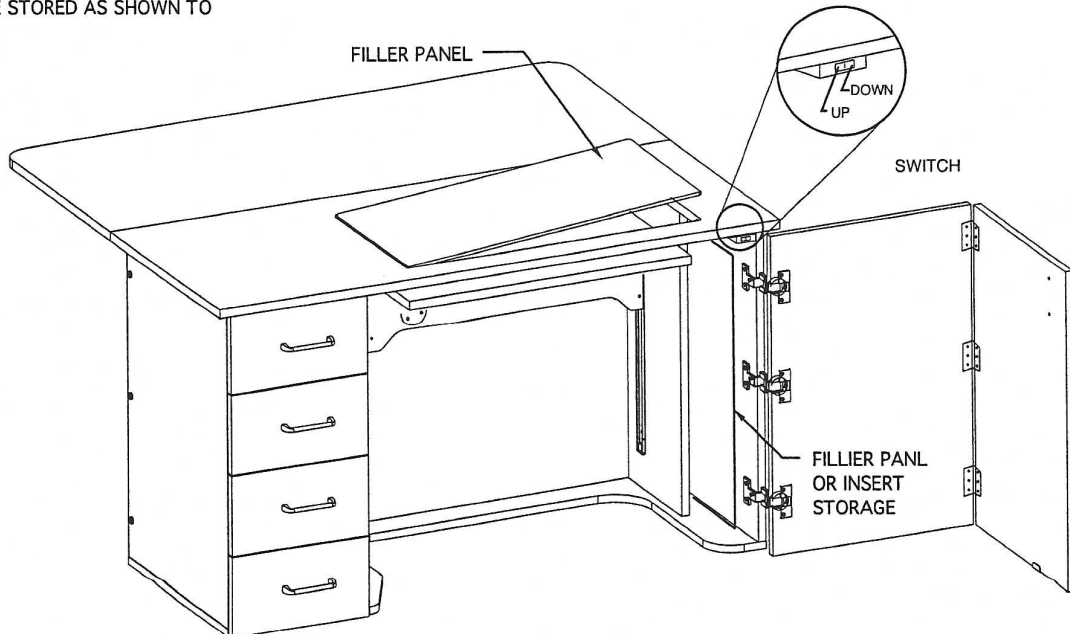
- SMOOTH FLOOR- USE 2 SPACERS
- THIN CARPET - USE 1 SPACER
- THICK CARPET - USE 0 SPACERS

**NOTE: WITH THE HELP FROM ANOTHER PERSON, SLOWLY LOWER BACK OF CABINET ONTO FLOOR AND THEN ROTATE UP ONTO CASTERS.**

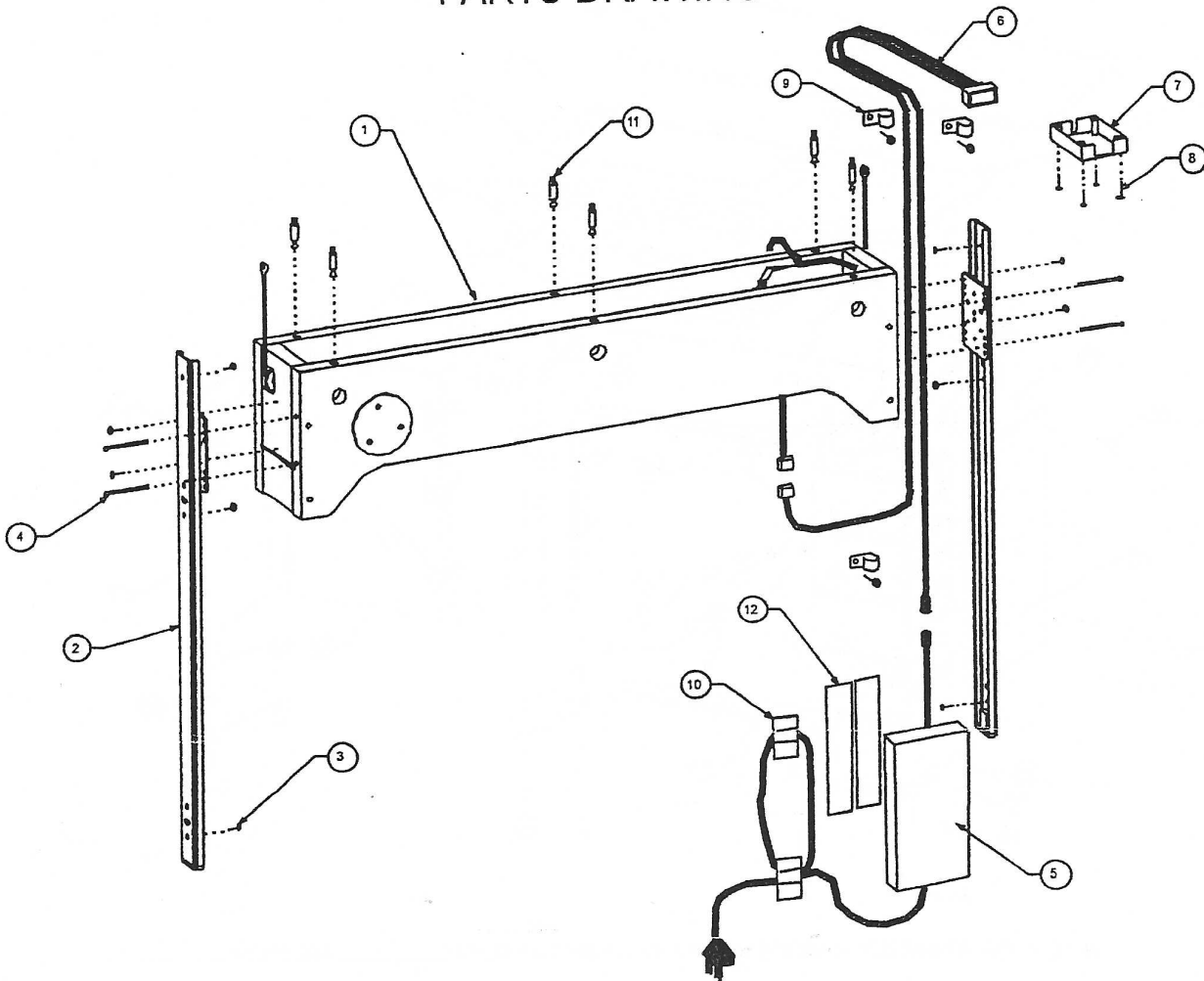
## 2. FILLER PANEL REMOVE AND STORE

FIGURE #2

REMOVE FILLER PANEL BY REMOVING TAPE STRIPS WHEN UNPACKING. TO REMOVE INSERT/FILLER PANEL FROM TOP, PUSH UP FROM BOTTOM SIDE AS SHOWN IN FIGURE #2. THE FILLER PANEL OR INSERT CAN BE STORED AS SHOWN TO RIGHT.



# MODEL: 12B ELECTRIC LIFT PARTS DRAWING



NOTE: WHEN ORDERING REPLACEMENT PARTS, PLEASE  
SPECIFY PART NUMBER \_\_\_\_\_ AND COLOR \_\_\_\_\_.

ART NO.	DESCRIPTION	QTY.	PART NO.	DESCRIPTION	QTY.
2B-1	ELECTRIC LIFT UNIT COMPLETE	1	12B-7	SWITCH ENCLOSURE	1
2B-2	VERTICAL SLIDE RAIL	2	12B-8	SWITCH ENCLOSURE SCREW	4
2B-3	VERTICAL SLIDE RAIL SCREW	10	12B-9	CABLE CLAMP W/SCREW	3
2B-4	50mm CONFIRMATE SCREW	4	12B-10	ADJUSTABLE ADHESIVE CABLE CLAMP	2
2B-5	POWER TRANSFORMER	1	12B-11	CAM LOCK PIN	6
2B-6	MAIN WIRING HARNESS WITH SWITCH	1	12B-12	VELCRO STRIP	2

HORN OF AMERICA INC.  
P.O. BOX 608, SUTTON, WV 26601  
1-800-882-8845

MEUBLES HORN INC./HORN FURNITURE INC.  
42, RUE MONTCALM, ST-PIE (QUÉBEC) J0H 1W0  
1-800-380-6661