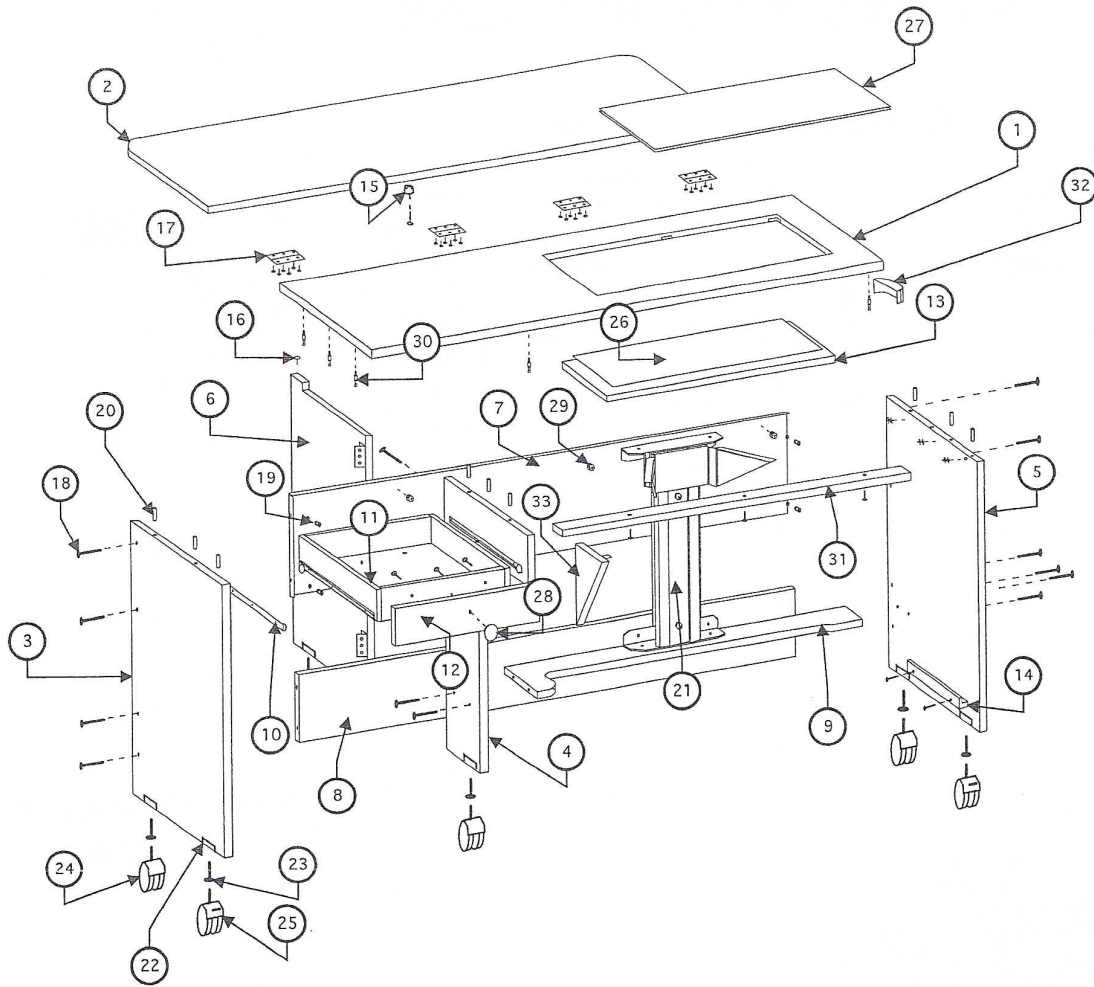


# MODEL 3240A PARTS DRAWING

3/7/2016



NOTE: WHEN ORDERING REPLACEMENT PARTS, PLEASE SPECIFY PART NUMBER \_\_\_\_\_ AND COLOR \_\_\_\_\_ .

HORN OF AMERICA, INC.  
 P.O. BOX 608  
 SUTTON, WV 26601  
 PH: (800) 882-8845

<u>PART NO.</u>	<u>DESCRIPTION</u>	<u>QTY. REQ.</u>	<u>PART NO.</u>	<u>DESCRIPTION</u>	<u>QTY. REQ.</u>
3240A-1	TOP	1	3240A-18	CONNECTOR BOLT 2"	14
3240A-2	DROP LEAF	1	3240A-19	3/4" BARREL NUT	14
3240A-3	LEFT SIDE PANEL	1	3240A-20	WOOD DOWEL	9
3240A-4	MIDDLE PANEL	1	3240A-21	AIRLIFT W/SCREWS	1
3240A-5	RIGHT SIDE PANEL	1	3240A-22	"U" CASTER BRACKET	6
3240A-6	SUPPORT PANEL	1	3240A-23	PLASTIC CASTER SOCKET	6
3240A-7	BACK	1	3240A-24	NON-LOCK CASTER	3
3240A-8	BOTTOM STRETCHER RAIL	1	3240A-25	LOCKING CASTER	3
3240A-9	SHELF	1	3240A-26	NON-SLIP PAD	1
3240A-10	DRAWER GUIDES(SET) W/SCREWS	1	3240A-27	FILLER PANEL	1
3240A-11	DRAWER WITH SLIDES	1	3240A-28	PULL W/SCREW	1
3240A-12	DRAWER FACE	1	3240A-29	CAM LOCK	12
3240A-13	MOUNTING PLATFORM	1	3240A-30	CAM PIN	12
3240A-14	INSERT STORAGE CLEAT W/SCREWS	1	3240A-31	SUPPORT BAR W/SCREWS	1
3240A-15	NYLON STOP	2	3240A-32	INSERT STORAGE BLOCK	1
3240A-16	GLIDE TACK	2	3240A-33	FREE ARM SUPPORT W/HINGES	1
3240A-17	2" BUTT HINGE	7			

MODEL 1920 HORN AIRLIFT  
OPERATING INSTRUCTIONS

8/16/2006

**NOTE:** THE TOUCH RELEASE AIRLIFT IS A BREEZE TO OPERATE. (NO MANUAL TRIP-LEVER REQUIRED) BY SIMPLY APPLYING A DOWNWARD PRESSURE THE AIRLIFT WILL STOP AT ONE OF THE THREE PRE-SET POSITIONS (FREE ARM, FLAT BED, AND STORAGE).

PLACE SEWING MACHINE ON MOUNTING PLATFORM.

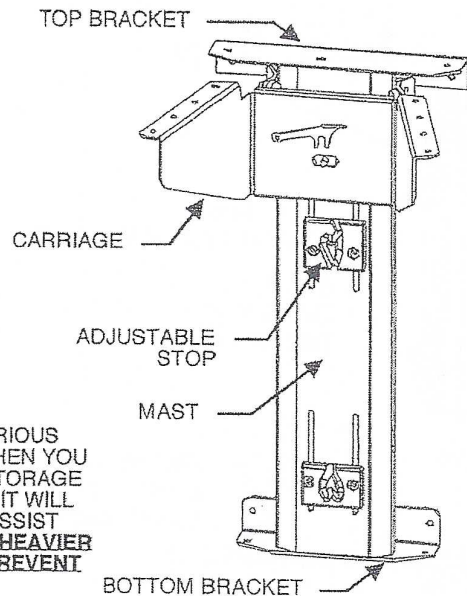
**TO LOWER**

- PLACE BOTH HANDS ON THE MACHINE AND, USING YOUR BODY WEIGHT, SIMPLY PUSH THE MACHINE TO EITHER STORAGE OR FLAT-BED POSITION.

**TO RAISE**

- EXERT A SLIGHT DOWNWARD PRESSURE ON THE MACHINE HEAD TO RELEASE AIRLIFT TO RAISE.

**PLEASE NOTE:** IT IS VERY DIFFICULT TO ADJUST THE LIFTER TO SUIT VARIOUS WEIGHTS OF SEWING MACHINES. IF YOUR SEWING MACHINE IS LIGHT, THEN YOU WILL REQUIRE A LITTLE MORE EFFORT TO PUSH THE MACHINE TO THE STORAGE POSITION, BUT IT SHOULD COME UP QUITE EASILY. IF IT IS HEAVY, THEN IT WILL BE EASY TO PUSH TO THE STORAGE POSITION, BUT YOU MAY NEED TO ASSIST THE LIFTER TO RAISE THE MACHINE OVER THE LAST INCH OR TWO. FOR HEAVIER MACHINES THE AIRLIFT IS EQUIPPED WITH A LOCKING MECHANISM TO PREVENT DOWNWARD DRIFTING AT TOP TWO POSITIONS. PLEASE READ BELOW FOR OPERATING INSTRUCTIONS.

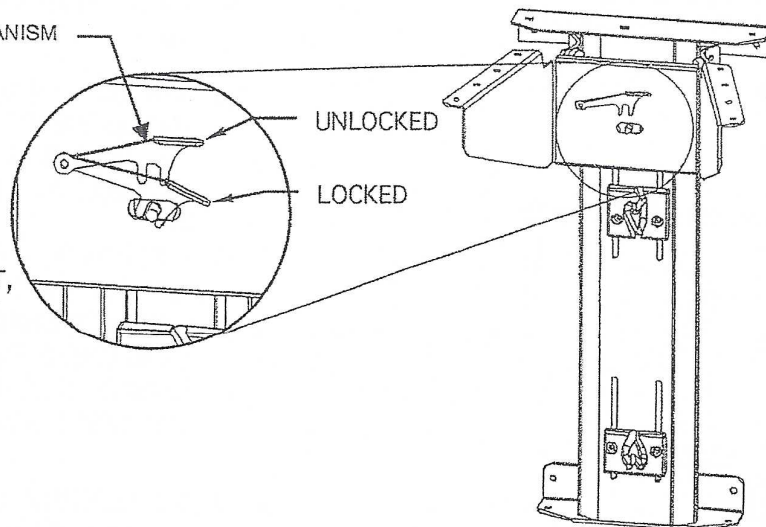


**LOCKING MECHANISM OPERATING INSTRUCTIONS**

LOCKING MECHANISM

TO LOCK CARRIAGE ON AIRLIFT, SIMPLY ROTATE LOCKING MECHANISM DOWN ONTO METAL PIN AS SHOWN.

TO UNLOCK CARRIAGE ON AIRLIFT, ROTATE LOCKING MECHANISM UP FROM METAL PIN.



# FREE ARM SUPPORT INSTRUCTIONS

WITH THE MOUNTING PLATFORM IN THE TOP POSITION, LOCATE THE FREE ARM SUPPORT PANEL AS SHOWN IN FIGURE #1. SWING FREE ARM SUPPORT PANEL UNDER MOUNTING PLATFORM AND LOCK THE RETAINER TAB INTO RETAINER RECEIVER AS SHOWN IN FIGURE #2. **NOTE: BEFORE MOVING MOUNTING PLATFORM MAKE SURE FREE ARM SUPPORT PANEL IS CLEAR BEFORE LOWERING AS SHOWN IN FIGURE #1.**

FIGURE #1 INSIDE VIEW

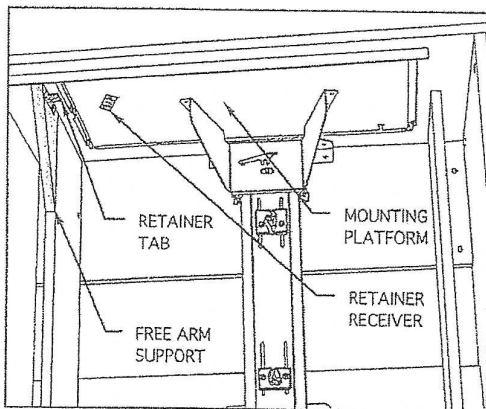


FIGURE #1 TOP VIEW

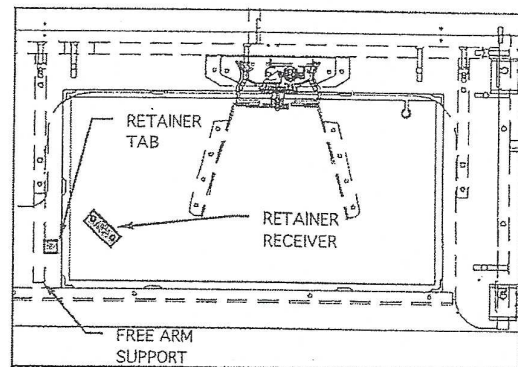


FIGURE #2 INSIDE VIEW

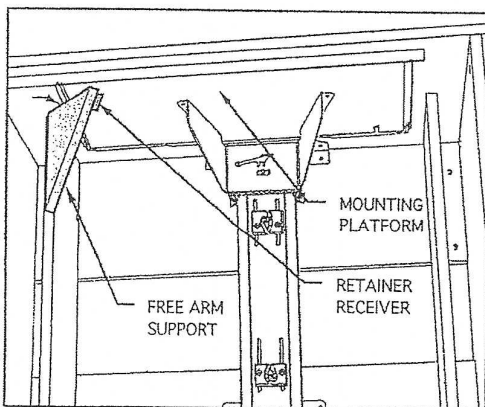


FIGURE #2 TOP VIEW

