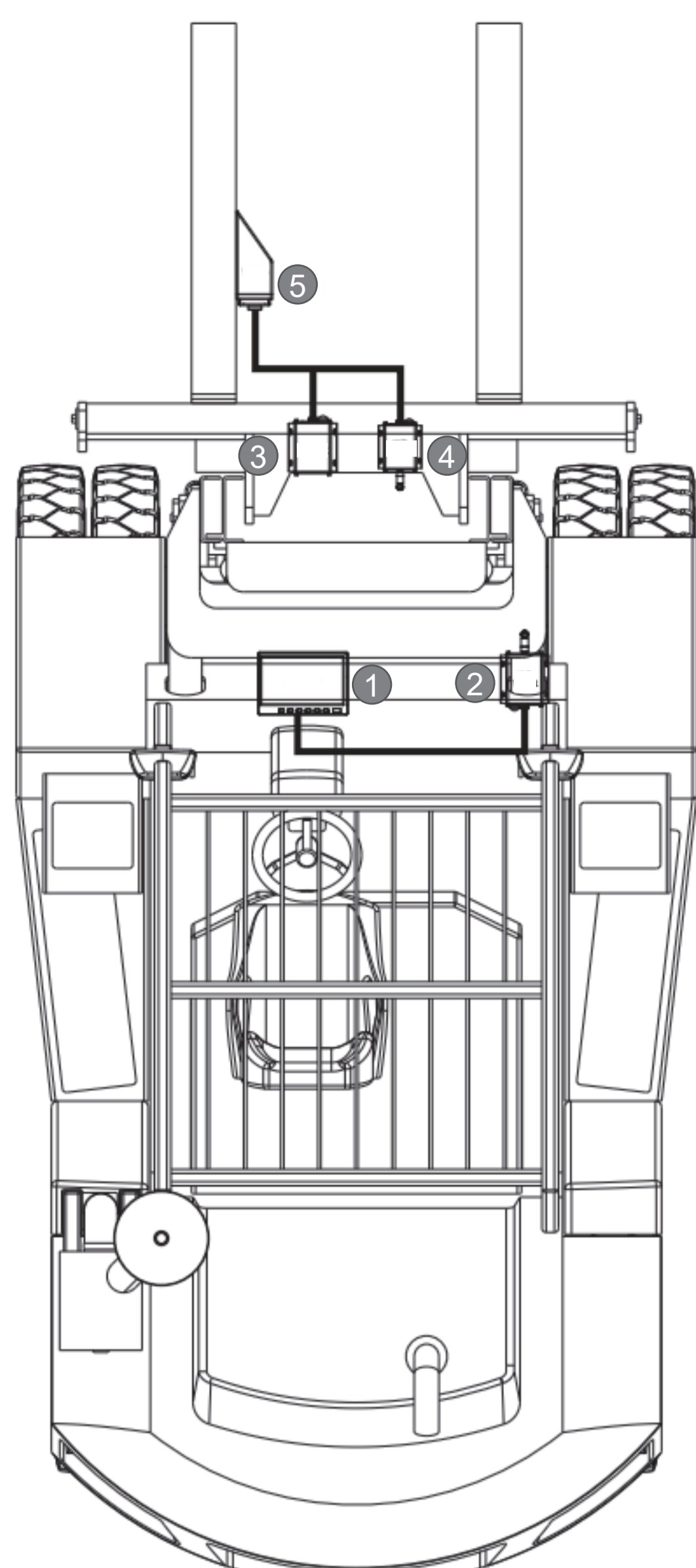


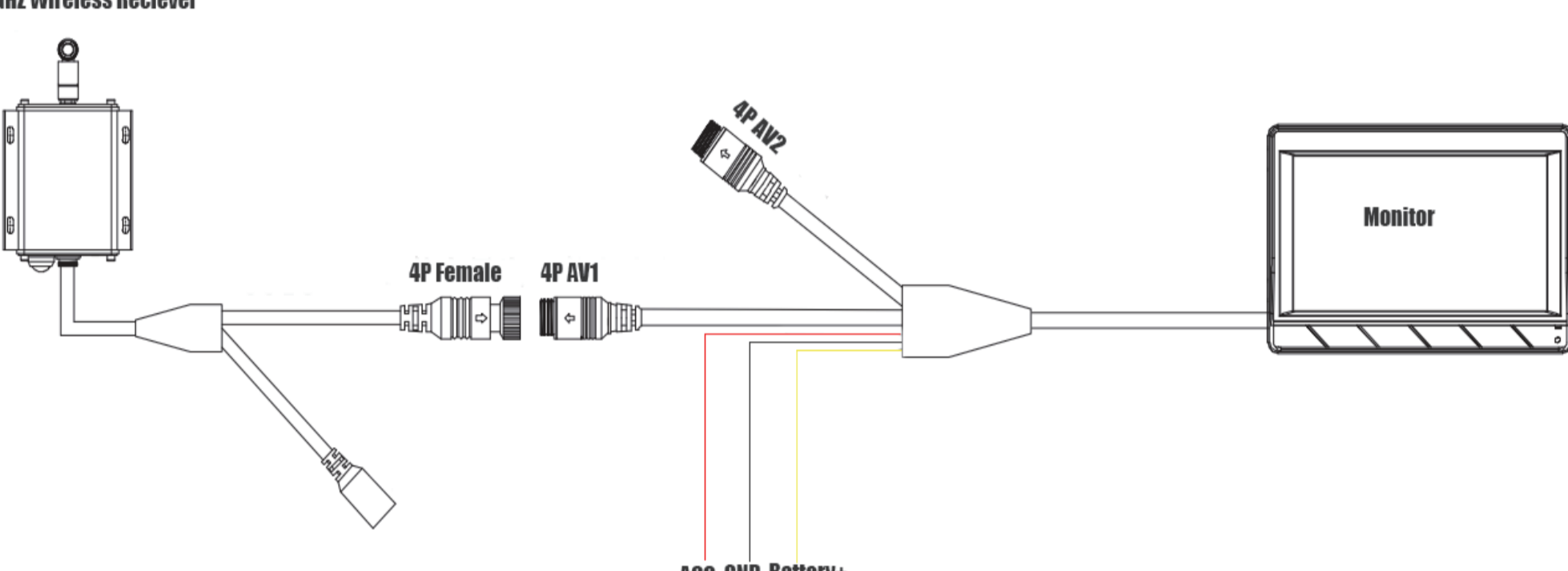
# Forklift 1080P Camera System with 7 inch LCD INSTALLATION GUIDE



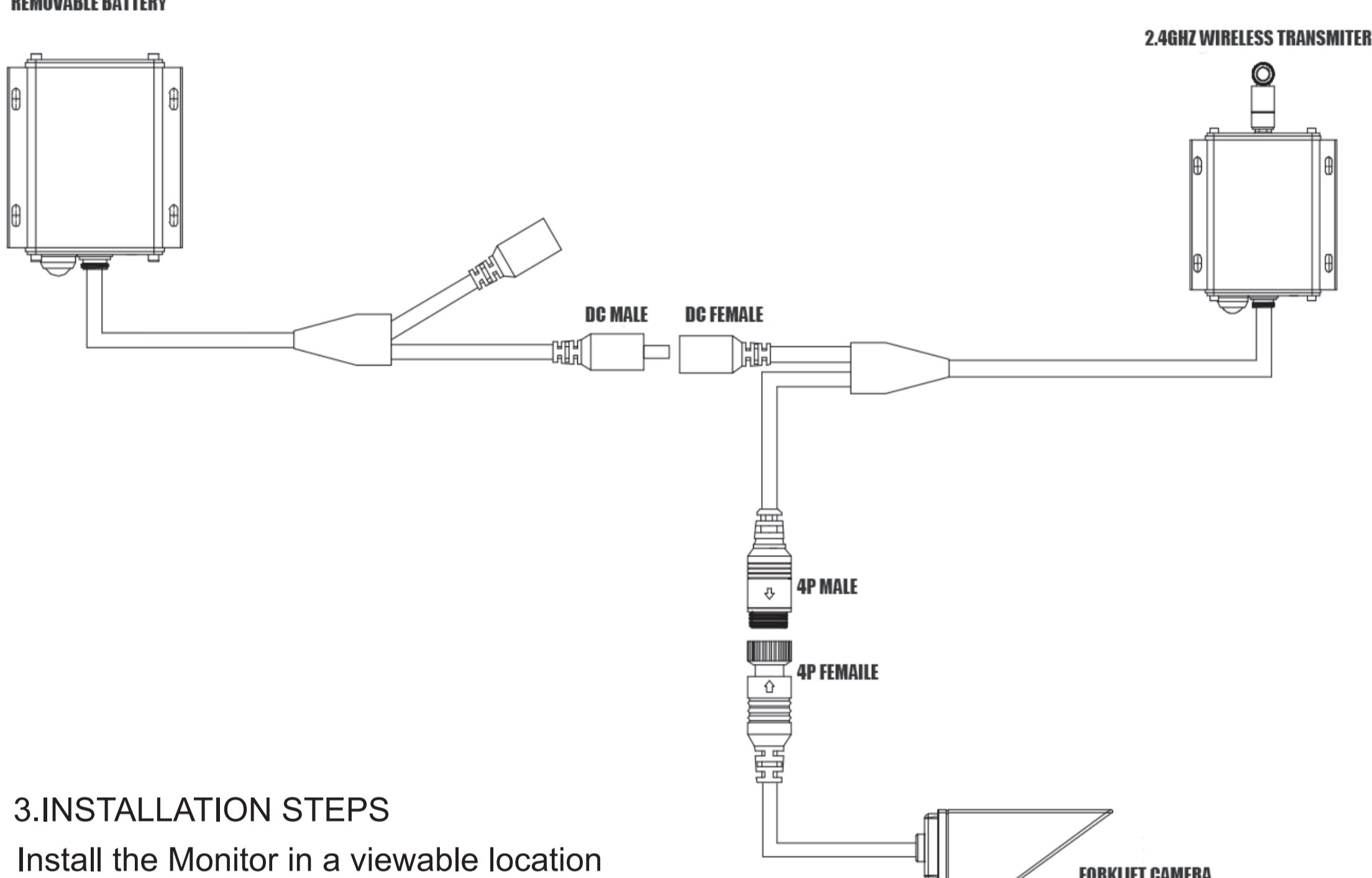
- ① Forklift Monitor
- ② 2.4Ghz Wireless Receiver
- ③ DC12V Removable Battery
- ④ 2.4GHz Wireless Transmitter
- ⑤ Forklift 1080P Camera

## WIRING GUIDE

### 2.4GHZ Wireless Receiver

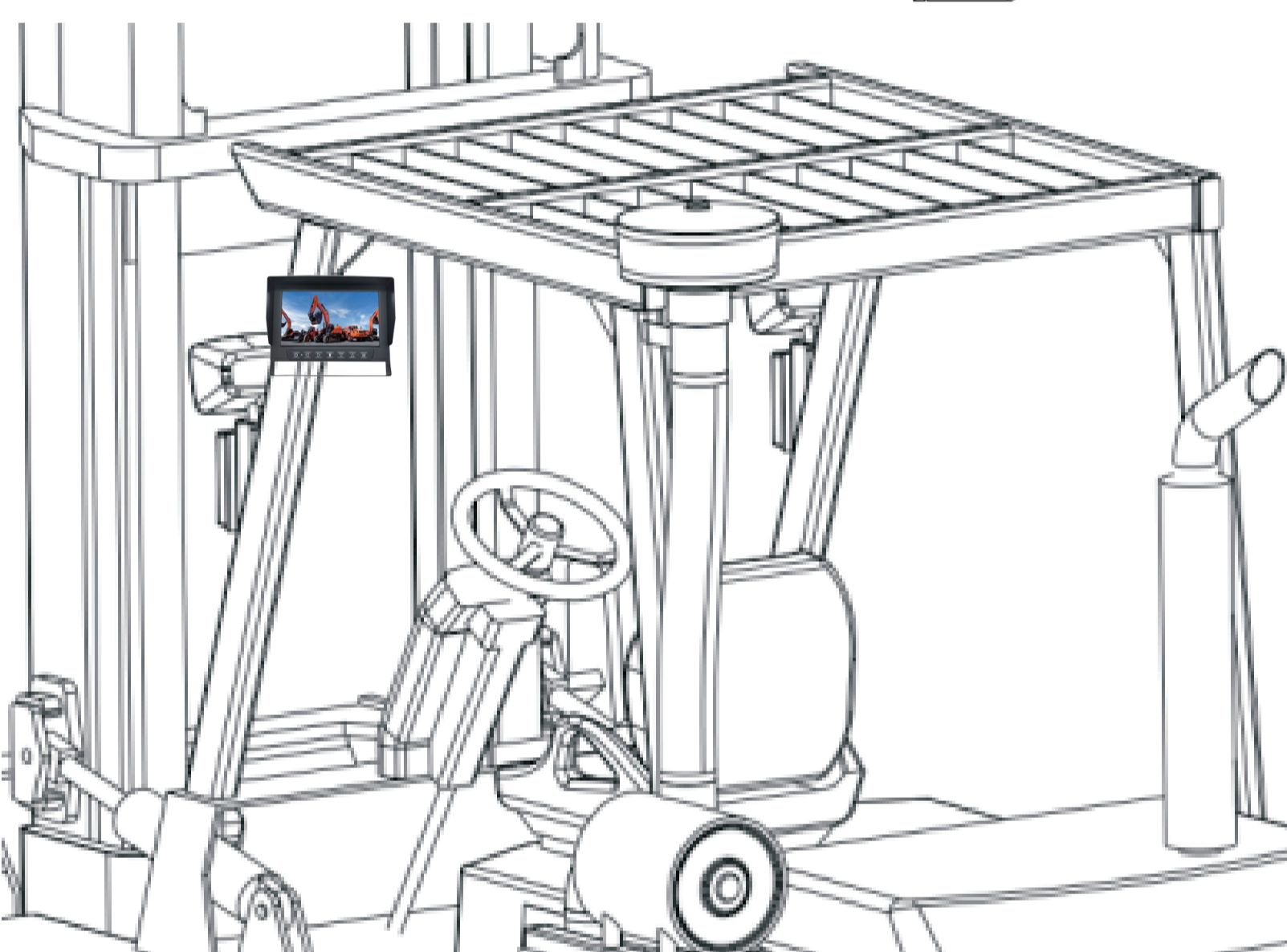


### REMOVABLE BATTERY

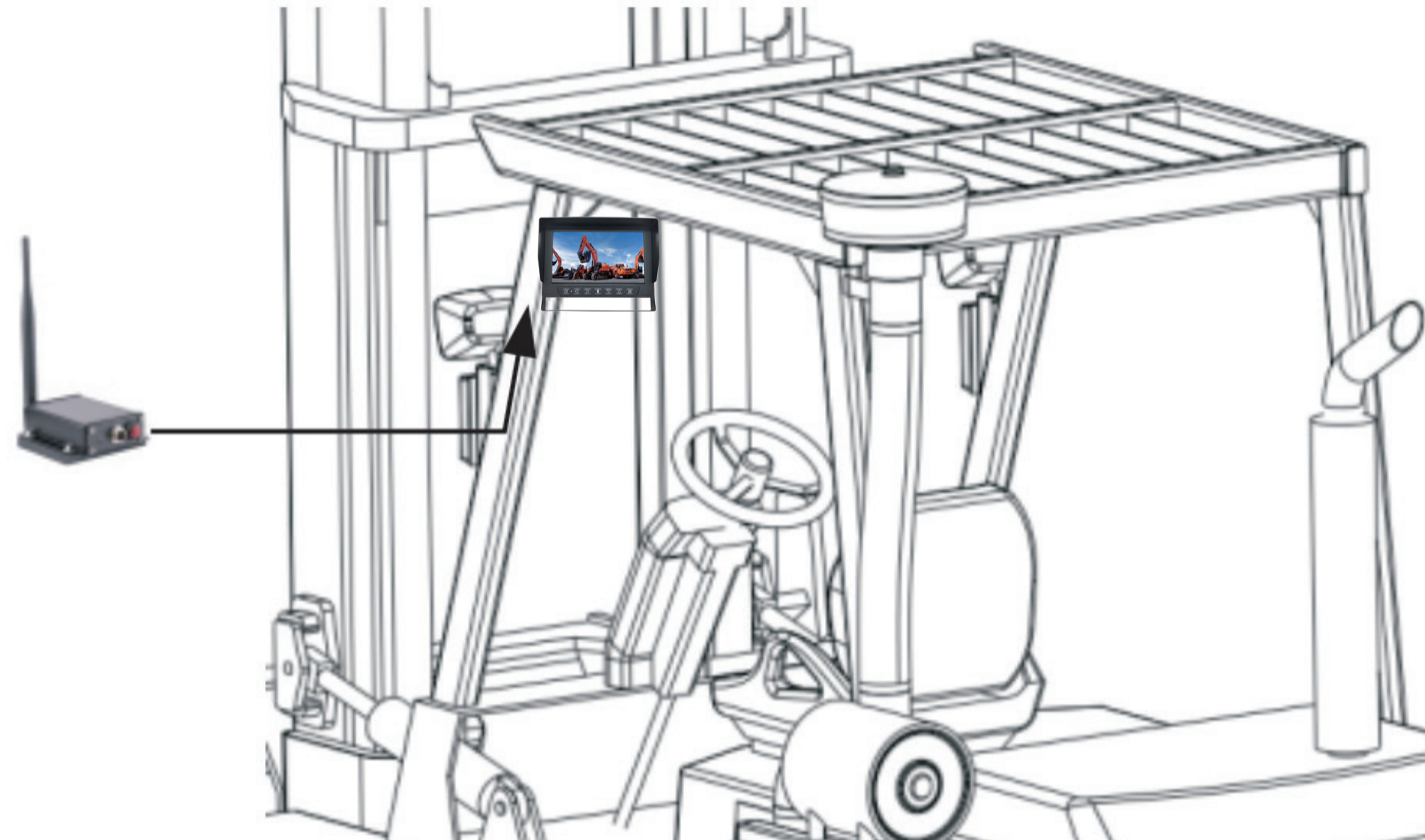


## 3. INSTALLATION STEPS

Install the Monitor in a viewable location



Wire connect 2.4GHZ Wireless Receiver to Monitor



Install fork lift 1080P camera on the inner side of the fork lift arm

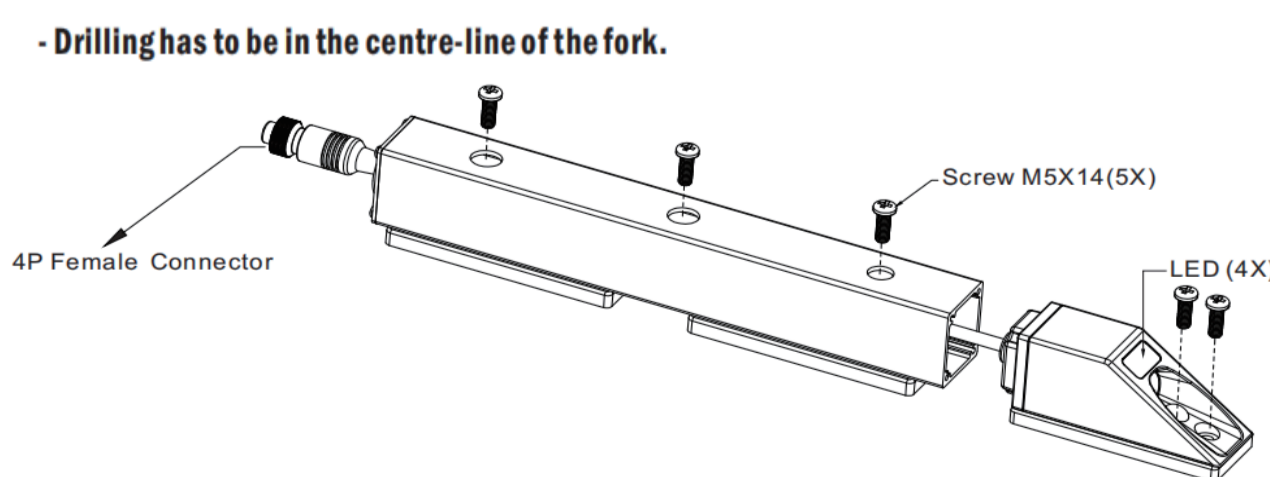


### Installation

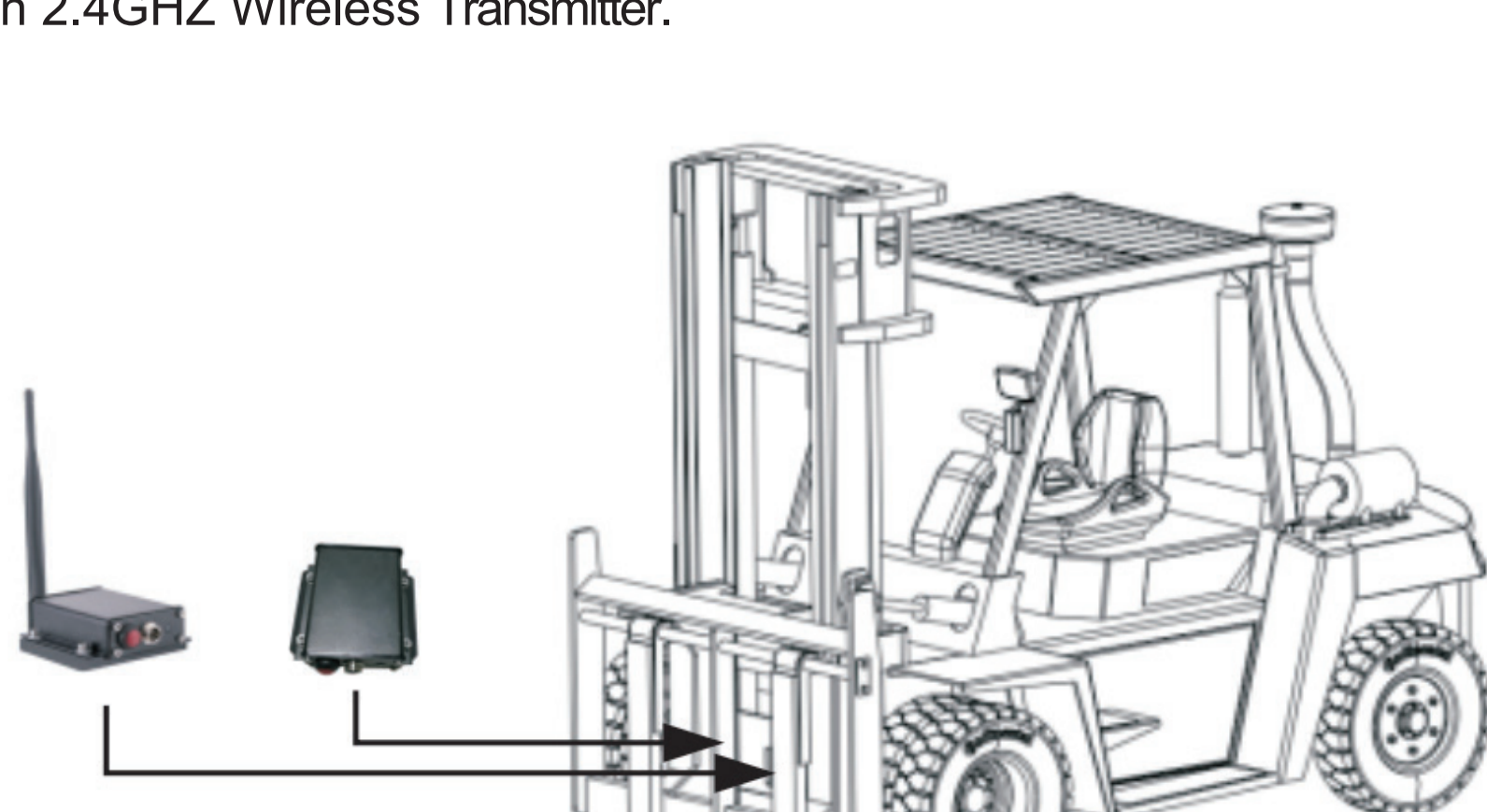
Install the camera between the forks on the right side.

General practice in the forklift industry allows mounting on forks as long as the following rules are fulfilled:

- Screw Connection and Magnet Connection are Available.
- Maximum thread is M5.
- Maximum drilling depth is 14 mm.
- Distance between the fork heel and the hole has to be more than 20% of fork length.
- Drilling has to be in the centre-line of the fork.



Install 2.4GHZ Wireless Transmitter and connect to camera. Install rechargeable battery to power on 2.4GHZ Wireless Transmitter.



# Fork Lift 1080P Camera Specs

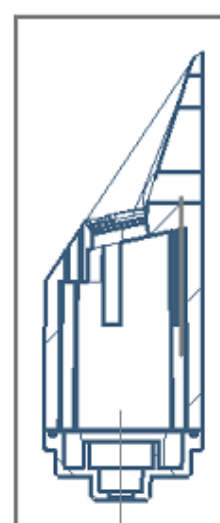
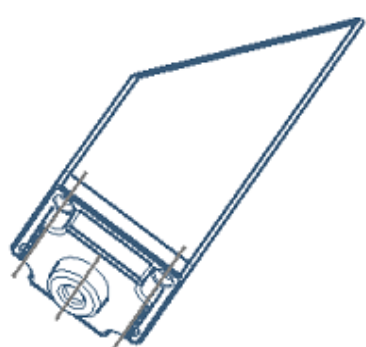


- 4PCS Led Lights, Color Video Image
- Mini Metal Camera Shells, IP69K Waterproof
- Powerful Magnet Installation



SPECIFICATIONS

Sensor	1/3" CMOS
TV System	PAL/NTSC
Resolution	1080P
Lens	6MM
IR Led lights	4PCS
IR Distance	1-5MTS
Synchronization	Internal
S/N Ratio	More than 50dB
Auto Gain Control	Auto
Electronic Shutter	Auto
Noise Reduction	3D
Built-in Audio	Optional
BLC	Auto
Synchronization	Internal
ICR	Auto
Power Supply	DC12V±10%
WaterProof	IP69K
Net Weight	490g
Operating Condition	-30° C ~ +70 ° C



SECTION A-A

