

# LED Downlight

Low-voltage Luminaire

VEROBOARD

Model: VBUN-R25-12V

Input: 12V DC 2.5W

# VEROBOARD®

## For cabinet only

Use only with Class 2 power unit



**Attention:** This product must be installed by a certified electrician.

### IMPORTANT SAFETY INSTRUCTION

Veroboard luminaires (fixtures) are designed to meet the latest NEC requirements. This product is UL/CSA listed and is in full compliance with the UL approvals. Before attempting installation, check your local electrical code. This code sets the wiring standards for your locality and should be carefully studied before starting.

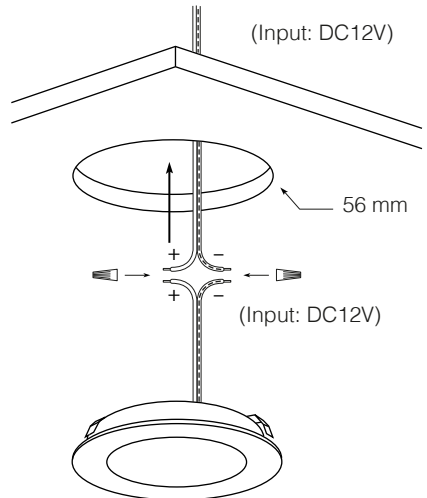
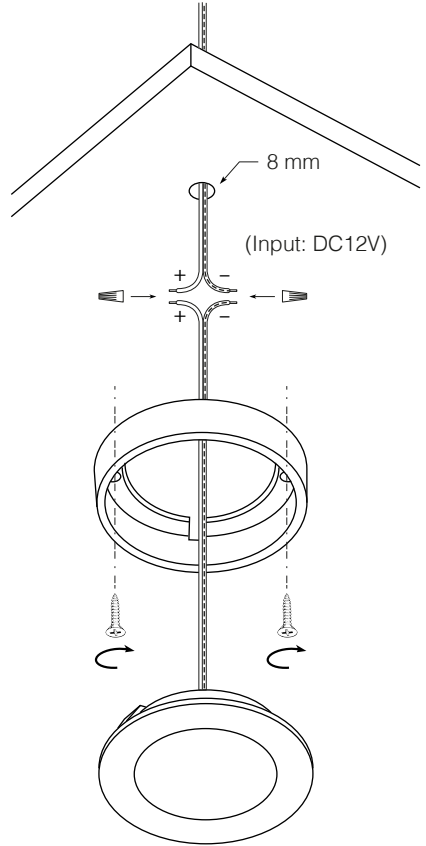
**WARNING – Risk of fire or electric shock.**

**WARNING – To prevent wiring damage or abrasion, do not expose wiring to the edges of the sheet metal or any other sharp object.**

**WARNING – Do not use the LED wire inside drywalls. The wiring is for dry location use only.**

**CAUTION:** To reduce the risk of fire, do not install in compartment smaller than 12"x12"x12"

Pour réduire le risque d'incendie, ne pas installer dans un compartiment de moins de 12"x12"x12"



Intertek  
5018798

Conforms to UL STD 2108  
Certified to CSA STD C22.2#250.2