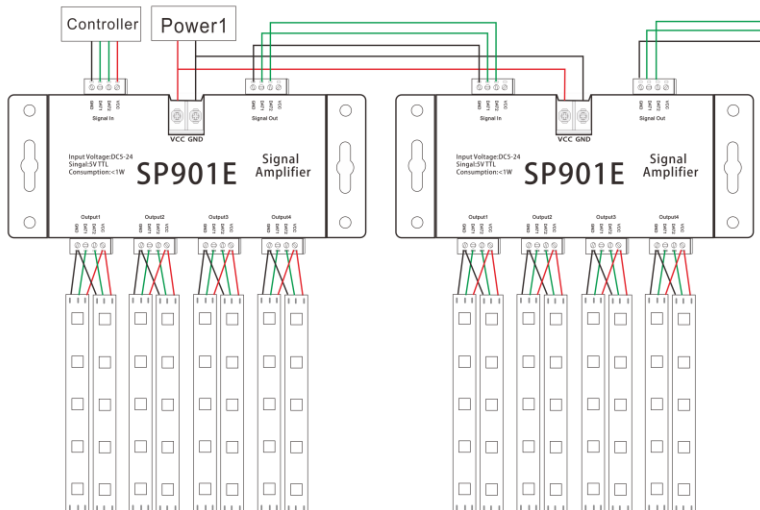
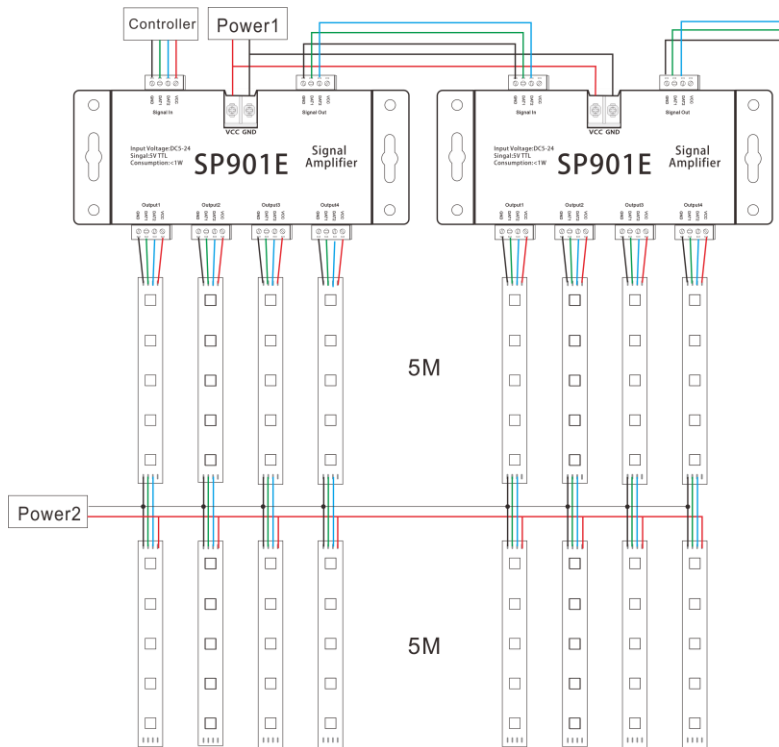


## SP901E Signal Amplifier operating instructions

### 1. Features:

1. DC5V~24V wide range of working voltage;
2. Compatible with all kinds of 5V-TTL signal;
3. Can be cascaded with multiple amplifiers.

### 2.Wire Connection:



### 3.Caution:

- 1.The input and output voltages are the same, if customer's LED is not compatible with the output voltage , customer need to power the LED separately and connect the negative electrode to the amplifier's GND;
2. The current through the amplifier is limited ,when the consumption current is huge, customer need to increase power supply additionally.