



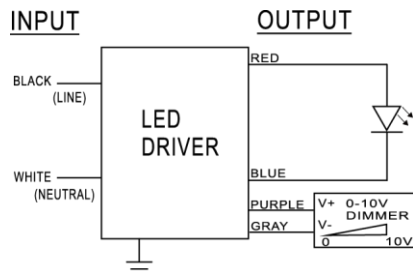
Model Name	PAC1400S40DL
Output Model	Constant Current
Input Voltage	120-277 Vac
Input Frequency	50/60 Hz
Dimming	3 in 1 (PWM, 1-10V, Resistance) Dim to 1%, 10%, OFF
Surge Rating	2KV
Warranty	5 Years $TC \leq 75^{\circ}C$ 3 Years $75^{\circ}C \leq TC \leq 90^{\circ}C$

Product Specification



Output Power (W)	Output Voltage (V)	Output Current (A)	Start Temp. (°F/°C)	Tcase Temp. (°F/°C)	Input Current (A)	Input Power (W)	Inrush Current (A)	THD (%)	Power Factor	Efficiency (%)
Max. 40	15-55	0.4-1.4	Min 32/0	Max. 194/90	0.4@120V 0.18@277V	48	Max. 35	Max. 20	Min. 0.9	Typ. 82

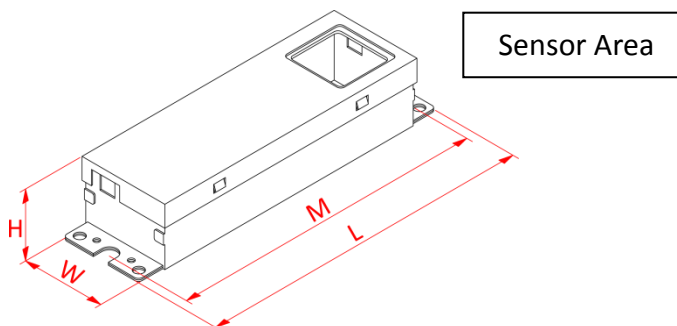
Wire Diagram



Maximum Wiring Distance (at full load) is 18AWG/18Feet
LED case should be grounded

Lead Length	Inch	Cm
Black	5.9	15
White	5.9	15
Green	NA	NA
Red	5.9	15
Blue	5.9	15
Purple	7.1	18
Gray	7.1	18

Enclosure



AM49

Enclosure	Inch	Cm
Length(L)	6.22	15.8
Width(W)	1.73	4.4
Height(H)	1.22	3.1
Mounting(M)	5.86	14.9

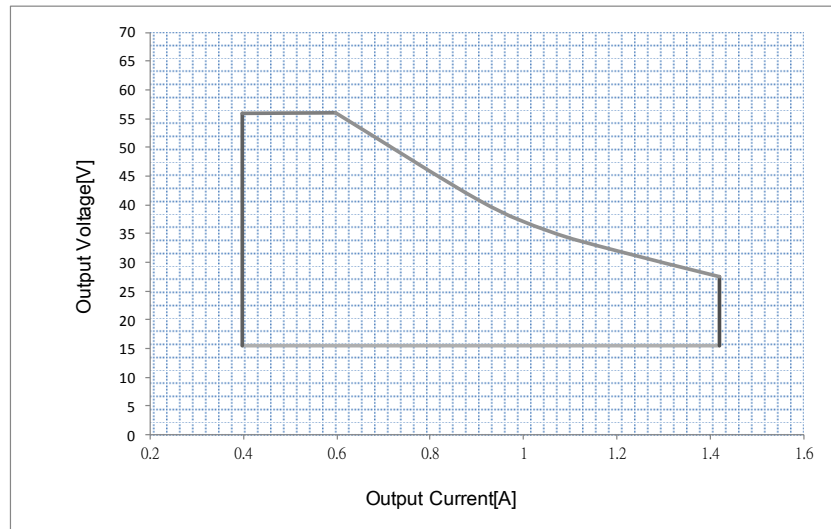


Programmable Tool

- Put the programmable wand above the NFC mark of the driver to start programming
- Download the software from www.antron.com.tw



I_{out} vs V_{out} Curve



Output Current Code List

Output Current Code List

Current Value (mA)	Correspond Iout Code				Current Value (mA)	Correspond Iout Code			
	Location					Location			
	0	1	2	3		0	1	2	3
400	4A	01	00	01	950	2F	03	00	01
450	7C	01	00	01	1000	57	03	00	01
500	A4	01	00	01	1050	84	03	00	01
550	D1	01	00	01	1100	B1	03	00	01
600	FE	01	00	01	1150	D9	03	00	01
650	26	02	00	01	1200	06	04	00	01
700	53	02	00	01	1250	42	04	00	01
750	85	02	00	01	1300	60	04	00	01
800	A8	02	00	01	1350	88	04	00	01
850	D7	02	00	01	1400	78	05	00	01
900	02	03	00	01					

Note: For drivers containing Revision C of their firmware (contact factory for date code of implementation), it is also possible to adjust the minimum dimming level and the dimming speed by programming the location 2.



Programmable Driver Options (App Note)

All programmable drivers accept a 16-bit hexadecimal code to program the output current (Iout) of the driver. The Iout programming codes are documented in the computer based-programming software (ST-TOOLS.exe) or from the driver's IOUTCODE.pdf file. The Locations below 0, 1, 2, 3 contain the basic code for a specific output current value (example 84 03 00 01 = 1050 mA for PAC1400S50D).

Location	0	1	2	3	
Value	00	00	00	00	

For drivers containing Revision C of their firmware (contact factory for date code of implementation), it is also possible to adjust the minimum dimming level and the dimming speed. This adjustment is made by modifying location 2 of the programming code while keeping the other locations set for the desired output current. Specifically, the location 3 values are defined as:

- 00 => Dim to 1%, Speed \leq 1.0 sec
- 01 => Dim-to-OFF, Speed \leq 1.0 sec
- 02 => Dim to 10%, Speed \leq 1.0 sec
- 03 => Dim to 1%, Speed \geq 2.5 sec
- 04 => Dim-to-OFF, Speed \geq 2.5 sec
- 05 => Dim to 10%, Speed \geq 2.5 sec

As an example, if the programming code value of 84 03 00 01 is programmed, the output current will be 1050 mA, and the driver will dim to 1% and the dimming speed will be \leq 1.0 sec. If the programming code of 84 03 04 01 is programmed, the output current will be 1050 mA, and the driver will dim to off and the dimming speed will be \geq 2.5 sec.

Data is based upon tests performed by Antron Electronics in a controlled environment and representative performance. Actual performance can vary depending on operating conditions. Specifications are subject to change without notice. All specifications are nominal unless otherwise noted.