

9 W AC-DC Constant Current LED Driver with triac Dimmer



Features

- 120VAC input (up to 127 VAC)
- Constant Current design
- Class 2 Power Supply Unit
- Built-in active PFC Function
- Fully isolated plastic case
- 2 years warranty
- Protections:
- Over current/ ■ Short Circuit

Safety Approval

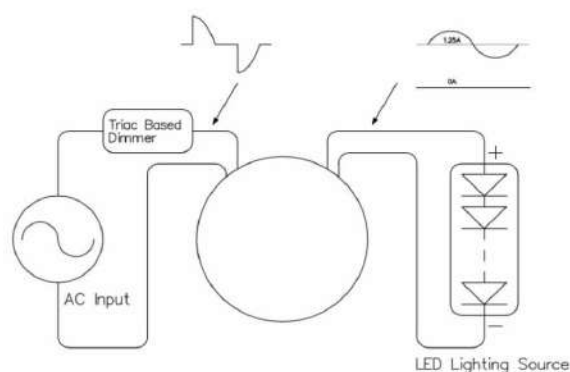
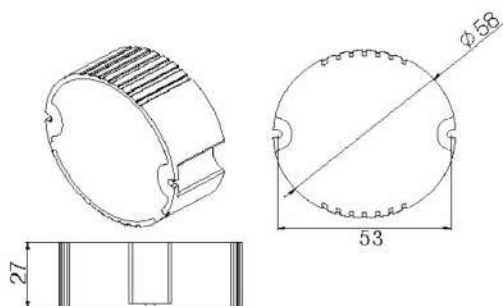


Specification

Model No.	LD009D-CA07512-27	LD009D-CA03724-27	LD009D-CA02536-27	LD009D-CA02242-27	LD009D-CA01948-27
Input	Voltage & Frequency Range				
	112-127VAC;50Hz/60Hz				
	AC Current (Max.)				
	0.10A at 120Vac				
	Power Factor				
> 0.92 at 120Vac with full load.					
Output	Inrush Current (Max.)				
	15A at 120Vac				
	Leakage Current				
	< 1mA /120Vac				
	DC Voltage Range (VF)				
7-12V					
13-24V					
18-36V					
21-42V					
24-48V					
Constant Current Range					
750mA' ± 6%					
375mA' ± 6%					
250mA' ± 6%					
220mA' ± 6%					
190mA' ± 6%					
Rated Max. Power					
9W					
9W					
9W					
9W					
9W					
Ripple & Noise(Max.) note.2					
3.0Vp-p					
3.0Vp-p					
3.0Vp-p					
3.0Vp-p					
3.0Vp-p					
Efficiency note.1					
72%					
79%					
83%					
81%					
82%					
Protections	Over Current				
	110% -120% Constant current limiting, auto-recovery				
Short Circuit					
Hiccup mode, recovers automatically after fault condition is removed					
Environment	Working Temp.				
	-10°C~40°C Ambient operating at full load				
	Working Humidity				
20% ~ 90% RH non-condensing.					
Storage Temp.,Humidity					
-20 ~ +80°C ,10% ~ 90% RH					
Safety & EMC	Safety Standards				
	meet UL8750 refer UL1310*				
	EMC Standards note.3				
	meet FCC PART15 CLASS B				
Withstand Voltage					
I/P-O/P:1.25 KVAC					
Isolation Resistance					
I/P-O/P:100M ohms / 500VDC at 25°C					
Connection	Input				
	UL rated,20AWGx2C(150mm)				
Output					
UL rated,20AWGx2C(150mm)					
Others	MTBF				
	100K hours min. @Ta=25°C				
	Dimension(L*W*H)				
58 * 58 * 27mm					
Packing(L*W*H)/Carton					
340 * 340 * 170mm;100pcs/11.0Kg					
Note	1. All parameters NOT specially mentioned are measured at 230V AC input, rated load and 25°C ambient temperature.				
	2. Ripple & Noise are measured at 20MHZ bandwidth oscilloscope and with 0.1uf & 47uf parallel capacitor.				
	3. The power supply is considered a component which will be installed a final equipment. The final equipment must be re - confirmed that it still meets EMC directives.				

Machanical Specification: 58 X 58 X 27 mm

Wiring Diagram



Dimmer Recommended

Brand	Parts NO.
LUTRON	SKYLARK SELV-300P
LUTRON	SKYLARK S-600P
LUTRON	SKYLARK S-600
LUTRON	SKYLARK DVW-603
LUTRON	SUPERSLIDE 6631
LUTRON	SUPERSLIDE VP106
LUTRON	SUPERSLIDE VP106-1