



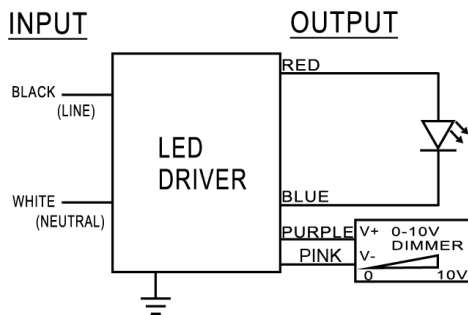
<b>Model Name</b>	AC700S75D-D3
<b>Output Model</b>	Constant Current
<b>Input Voltage</b>	120-277 Vac
<b>Input Frequency</b>	50/60 Hz
<b>Dimming</b>	3 in 1 (PWM, 1-10V, Resistance) 1-100% Dimming
<b>Surge Rating</b>	2KV
<b>Warranty</b>	5 Years $TC \leq 75^{\circ}C$ 3 Years $75^{\circ}C \leq TC \leq 90^{\circ}C$

## Product Specification



Output Power (W)	Output Voltage (V)	Output Current (A)	Start Temp. ( $^{\circ}F/^{\circ}C$ )	Tcase Temp. ( $^{\circ}F/^{\circ}C$ )	Input Current (A)	Input Power (W)	Inrush Current (A)	THD (%)	Power Factor	Efficiency (%)
Max. 75	64-107	0.7	Min. -40/-40	Max. 194/90	0.68@120V 0.3@277V	85	Max. 35A	Max. 20	Min. 0.9	Typ. 88
59	64-107	0.55	-40/-40	194/90	0.58@120V 0.25@277V	69	35A	20	0.9	86
37	64-107	0.35	-40/-40	194/90	0.37@120V 0.16@277V	44	35A	20	0.9	85

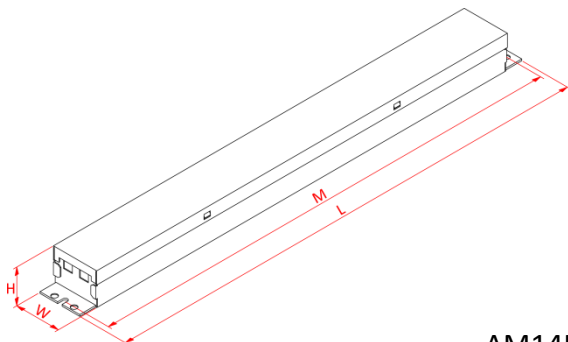
## Wire Diagram



Maximum wiring distance (at full load) is 18AWG/18Feet  
LED case should be grounded

Lead Length	Inch	Cm
Black	5.9	15
White	5.9	15
Green	NA	NA
Red	5.9	15
Blue	5.9	15
Purple	7.1	18
Pink	7.1	18

## Enclosure



AM14L

Enclosure	Inch	Cm
Length(L)	15.6	39.5
Width(W)	1.49	3.8
Height(H)	1.12	2.85
Mounting(M)	15.24	38.7