



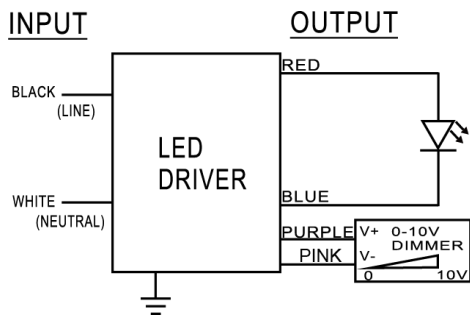
Model Name	AC2800S72D-D3
Output Model	Constant Current
Input Voltage	120-277 Vac
Input Frequency	50/60 Hz
Dimming	3 in 1 (PWM,1-10V,Resistance) 1-100% Dimming
Surge Rating	2KV
Warranty	5 Years TC \leq 75°C 3 Years 75°C \leq TC \leq 90°C

Product Specification



Output Power (W)	Output Voltage (V)	Output Current (A)	Start Temp. (°F/°C)	Tcase Temp. (°F/°C)	Input Current (A)	Input Power (W)	Inrush Current (A)	THD (%)	Power Factor	Efficiency (%)
Max. 72	16-26	2.8	Min. -40/-40	Max. 194/90	0.68@120V 0.3@277V	82	Max. 35A	Max. 20	Min. 0.9	Typ. 88
65	16-26	2.5	-40/-40	194/90	0.63@120V 0.27@277V	76	35A	20	0.9	86
46	16-26	1.8	-40/-40	194/90	0.45@120V 0.2@277V	54	35A	20	0.9	85

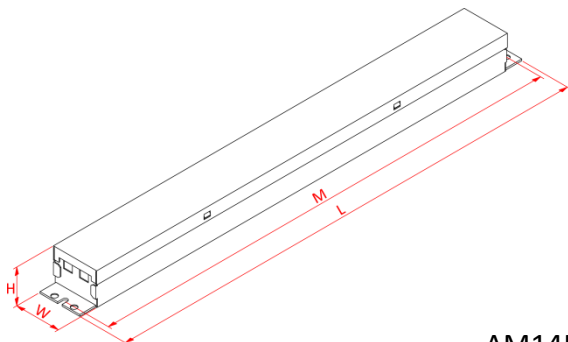
Wire Diagram



Maximum wiring distance (at full load) is 18AWG/18Feet
LED case should be grounded

Lead Length	Inch	Cm
Black	5.9	15
White	5.9	15
Green	NA	NA
Red	5.9	15
Blue	5.9	15
Purple	7.1	18
Pink	7.1	18

Enclosure



AM14L

Enclosure	Inch	Cm
Length(L)	15.55	39.5
Width(W)	1.5	3.8
Height(H)	1.12	2.85
Mounting(M)	15.24	38.7